

Architectural Detail 1 - Junction detail between floating floor and drywall installation - Building Option (b) is advised-(section view / NTS)

17 Appendix D - Building services installation / penetrations

The #6 sent building services penetration details – new Graphics, will be inserted here and omitted from the main body of the document. Also, refer pre-existing graphics below:

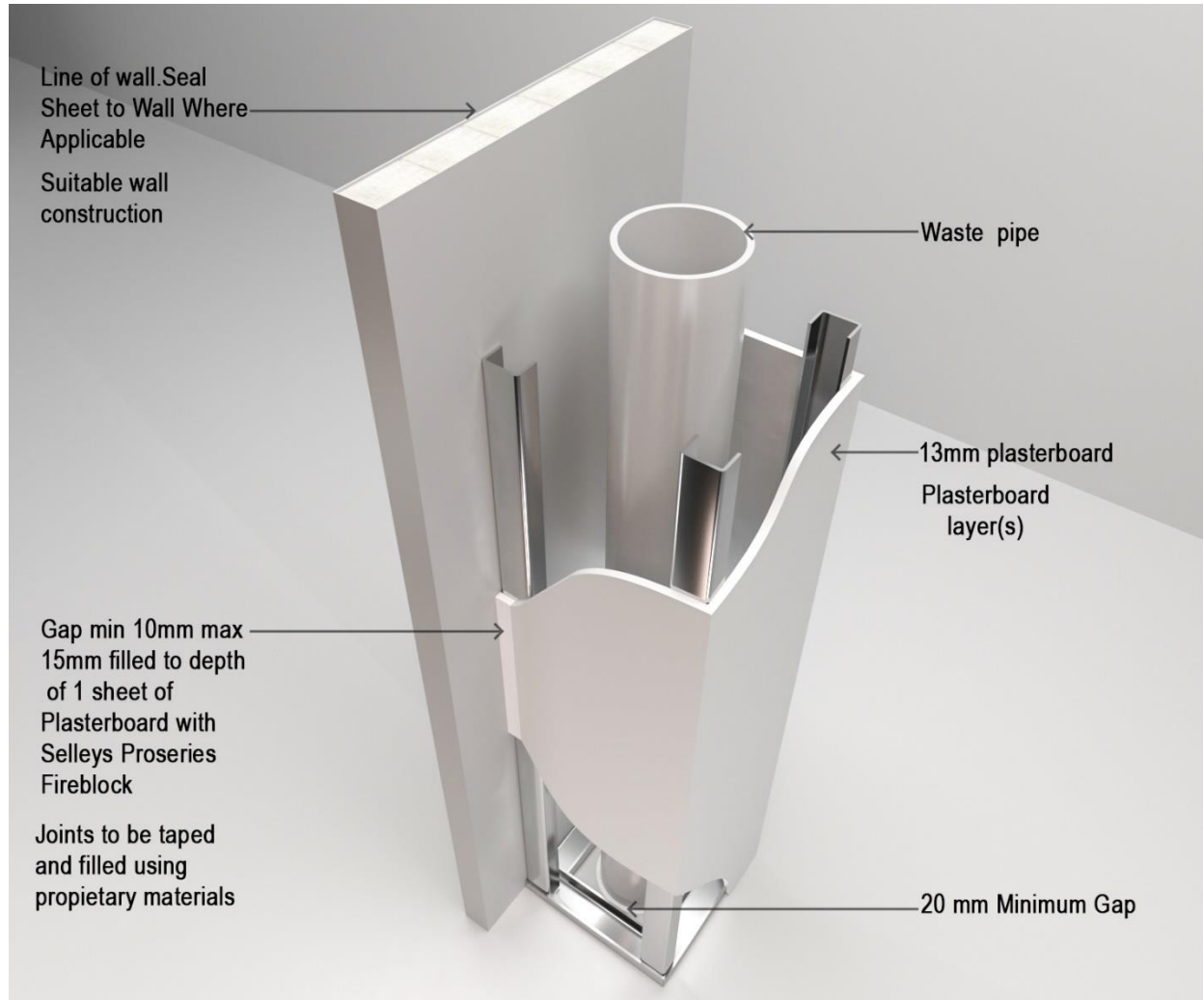


Figure 1 - Recommended constructions for riser in wet area

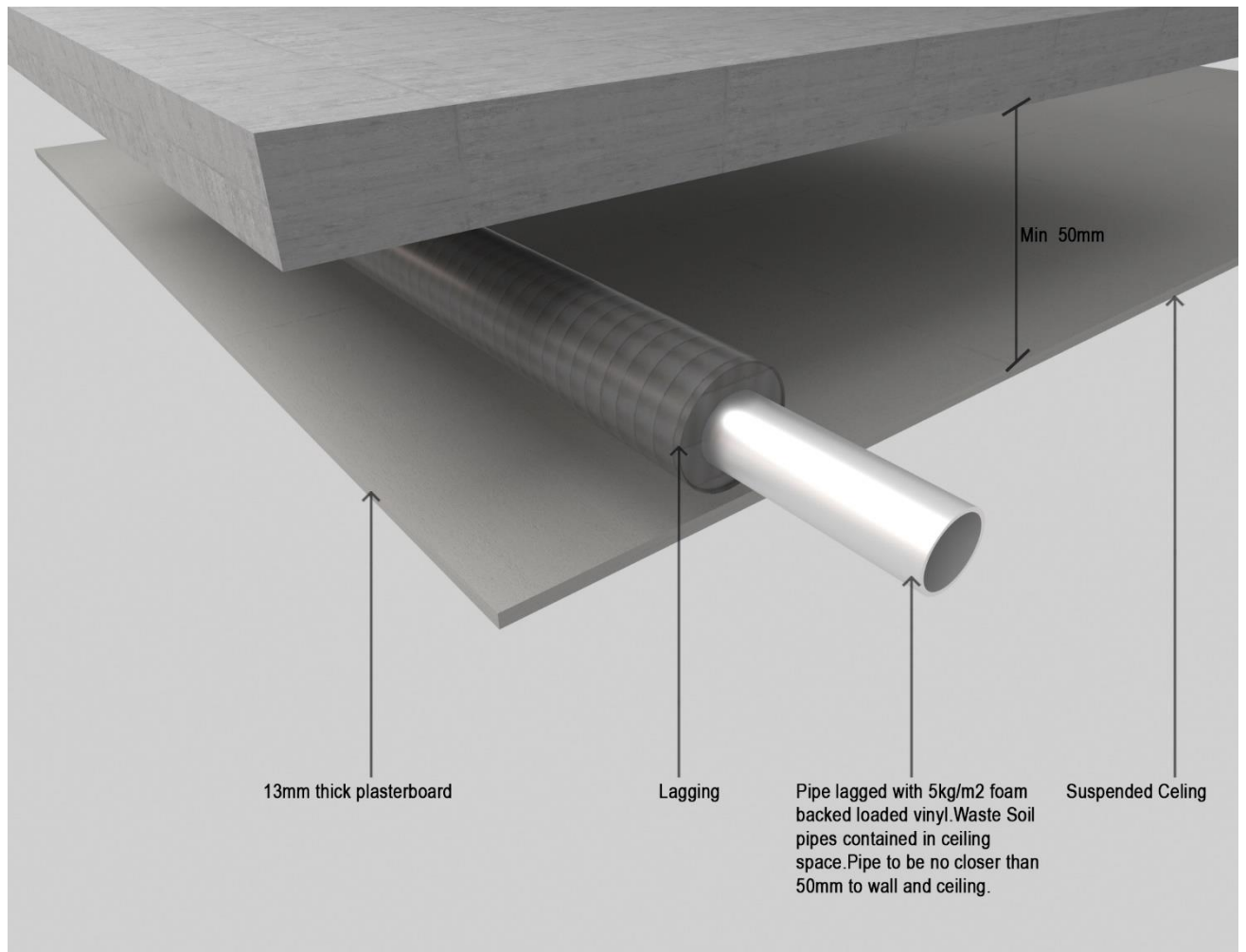


Figure 2 – Pipes crossing noise sensitive spaces