

# iHFG Standard Components

Room Layout Sheet

Room Name **Angiography Control/ Reporting Room**

RLS Room Code

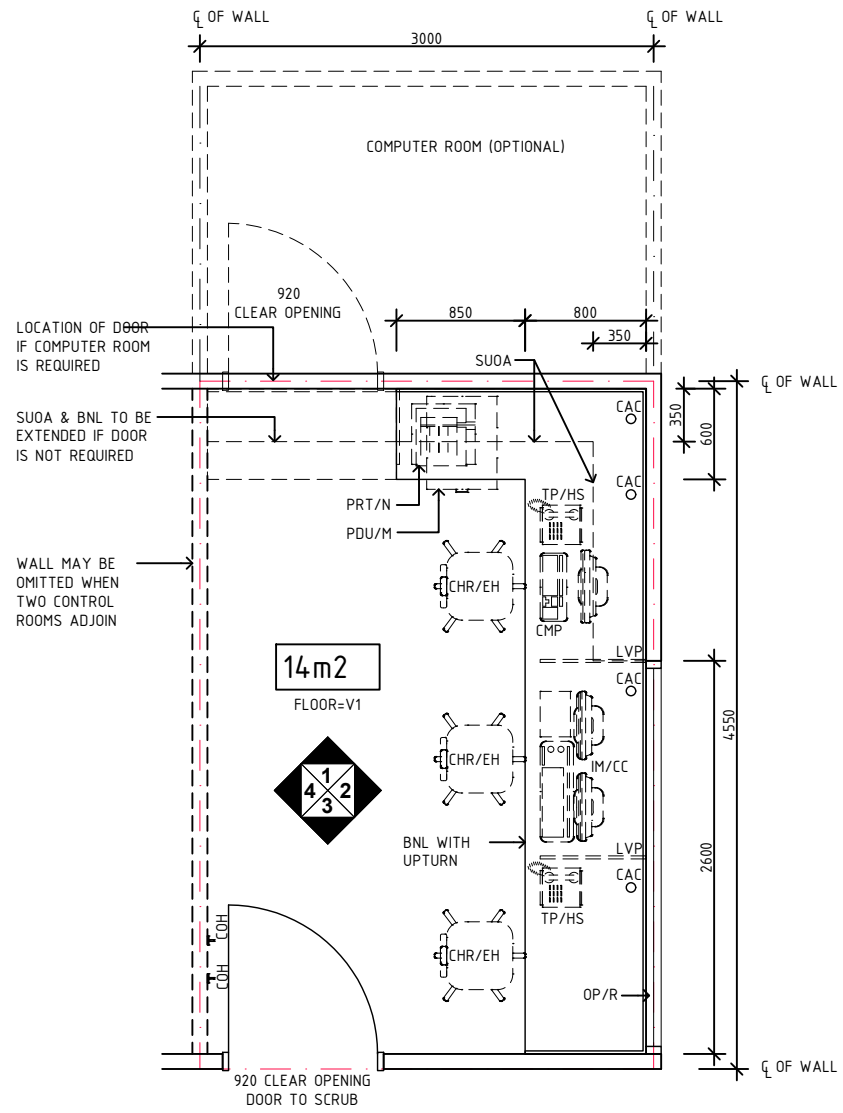
ancrt-i

RDS Room Code

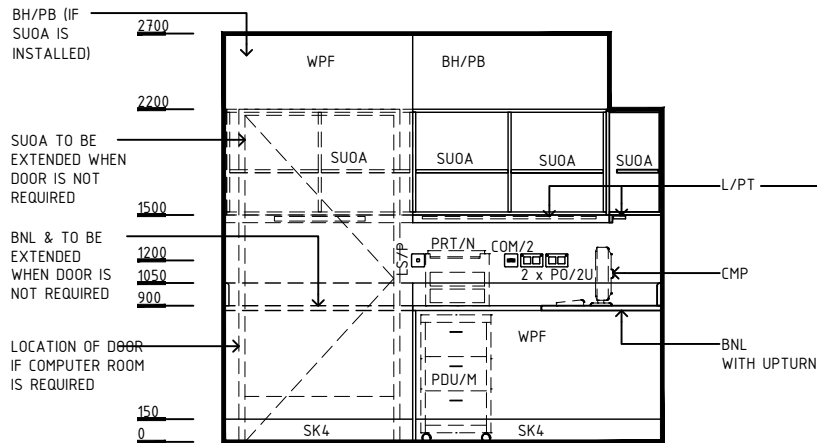
ancrt-i

AS	ADJUSTABLE SHELF
BH/PB	BULKHEAD - PLASTERBOARD, PAINT FINISH
BNL	BENCH - LAMINATE
CAC	CABLE ACCESS CAP
CHR/EH	CHAIR - ERGONOMIC, HIGH
CMP	COMPUTER
COH	COAT HOOK
COM/2	COMMUNICATION OUTLET - DOUBLE
IM/CC	IMAGING - CONSOLE, CONTROL
INT	INTERCOM
KP	KICKPLATE
L/PT	LIGHT - PELMET TASK LIGHT
LS/R	LIGHT SWITCH - ROOM
LS/P	LIGHT SWITCH - PELMET TASK LIGHT
LVP	LAMINATED VERTICAL SUPPORT PANEL
OP	OBSERVATION PANEL
OP/R	OBSERVATION PANEL - RADIATION SHIELDING
PDU/M	PEDESTAL DRAWER UNIT - MOBILE
PO/2E	POWER OUTLET - EMERGENCY, DOUBLE
PO/2U	UNINTERRUPTED POWER SUPPLY - DOUBLE
PO/C	POWER OUTLET - CLEANER'S
PRT/N	PRINTER - NETWORKED
SK4	FLOOR VINYL COVED SKIRTING
SUOA	SHELVING UNIT - OVER BENCH, ADJUSTABLE
TP/HS	TELEPHONE - HANDSET, STANDARD
V1	VINYL FLOORING, STANDARD SLIP RESISTANT
WPF	WALL PAINT FINISH

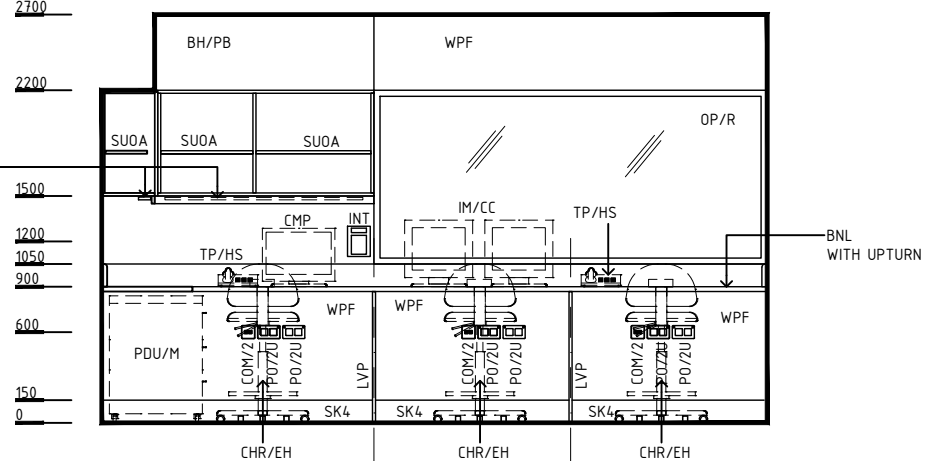
NOTE:  
RADIATION SHIELDING REQUIREMENTS TO BE PROVIDED  
BY A QUALIFIED RADIATION SHIELDING CONSULTANT



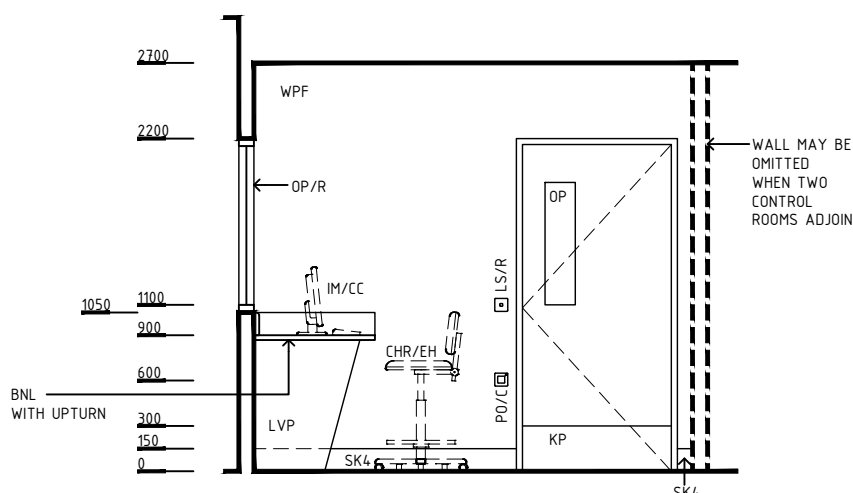
PLAN



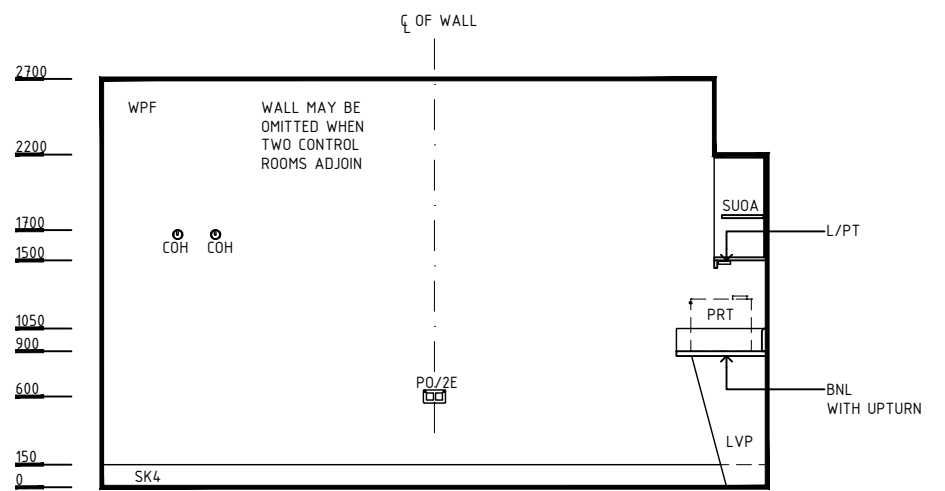
ELEVATION 1



ELEVATION 2



ELEVATION 3



ELEVATION 4

REV	DESCRIPTION	DATE	BY	REV	DESCRIPTION	DATE	BY	COMPATIBILITY
1	FIRST ISSUE	24.10.10	LL	4	GENERAL REVISION	05.10.22	BK	iHFG
2	GENERAL REVISION	30.08.11	EF					
3	GENERAL REVISION	31.10.12	CT					

# iHFG Standard Components

Room Layout Sheet

Room Name **Angiography Control/ Reporting Room**

RLS Room Code

ancrt-i

RDS Room Code

ancrt-i

**GENERAL NOTES:**

THIS DRAWING TO BE READ IN CONJUNCTION WITH R.D.S. (ROOM DATA SHEETS) WHICH TAKES PRECEDENCE.

ALL SERVICES INDICATED ARE INDICATIVE AND SUBJECTED TO DETAILED PROJECT SPECIFIC ENGINEERING DESIGN.

**CEILING LEGEND:**

ACT | ACOUSTIC CEILING TILES  
 BH/PB | PLASTERBOARD BULKHEAD, PAINT  
 PC4 | SHADOW ANGLE, POWDERCOAT ALUMINIUM CORNICE  
 - - - - | GRID LINE

**ACT** | CEILING TYPE  
**2700** | HEIGHT ABOVE F.F.L.

**ELECTRICAL LEGEND:**

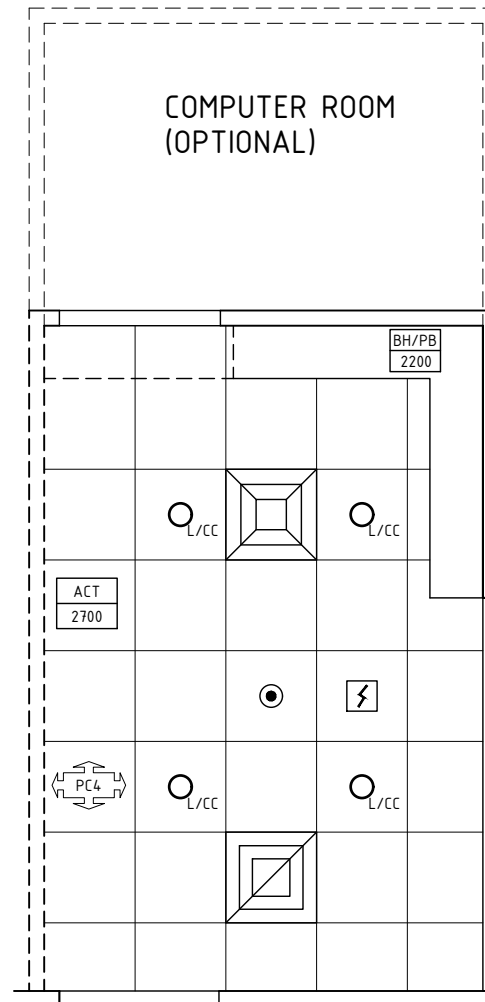
○/L/CC | LIGHT - COLOR CORRECTED

**MECHANICAL LEGEND:**

□ | SUPPLY AIR GRILLE  
 □ | RETURN AIR OR TRANSFER GRILLE

**FIRE SERVICES LEGEND:**

☒ | SMOKE DETECTOR  
 ● | SPRINKLER



**REFLECTED CEILING PLAN**

REV	DESCRIPTION	DATE	BY	REV	DESCRIPTION	DATE	BY	COMPATIBILITY
1	FIRST ISSUE	24.10.10	LL	4	GENERAL REVISION	05.10.22	BK	
2	GENERAL REVISION	30.08.11	EF					
3	GENERAL REVISION	31.10.12	CT					

DESIGNED	APPROVED	DATE	SCALE(S)	SHEET
BK	DB	05.10.22	1:50 in A3	2 OF 2
CAD FILE NAME		PAPER DRAWING ID		ISSUE
ancrt-i		ancrt-i-2		4

This document is for advisory purpose only