

# iHFG Standard Components

Room Layout Sheet

Room Name **Angiography Procedure Room**

RLS Room Code

anpr-i

RDS Room Code

anpr-i

- ANMM ANAESTHETIC - MACHINE WITH ANAESTHETIC MONITOR
- AS ADJUSTABLE SHELF
- BH/PB BULKHEAD - PLASTERBOARD, PAINT FINISH
- BNL BENCH - LAMINATE
- BRCS BRACKET - SHARPS
- BRCSB BRACKET - SUCTION BOTTLE (ON PENDANT)
- C CLOCK
- CARP CARDIAC PROTECTED / IPS
- CBD/C CUPBOARD - CATHETER HANGING
- CBD/D CUPBOARD - DRAWER UNIT
- CBD/FG CUPBOARD - FULL HEIGHT, GLASS DOORS
- CBD/UB CUPBOARD - UNDER BENCH
- COM/1 COMMUNICATION OUTLET - SINGLE
- COM/2 COMMUNICATION OUTLET - DOUBLE
- CR CRASHRAIL
- DFP DOOR AND DOOR FRAME PROTECTION
- DFR DEFIBRILLATOR
- EC EMERGENCY CALL
- FR/UB FRIDGE - UNDER BENCH
- FS FIXED SHELF
- INT INTERCOM
- IVP IV POLE
- L/OC LIGHT - OPERATION WITH CAMERA
- LIND/S LINEN CARRIER - DIRTY, SINGLE
- LS/R LIGHT SWITCH - ROOM
- LS/DD LIGHT SWITCH - DOWNLIGHTS DIMMER
- MA MEDICAL AIR
- MON/C MONITOR - CARDIAC (ON PENDANT)
- N2O NITROUS OXIDE

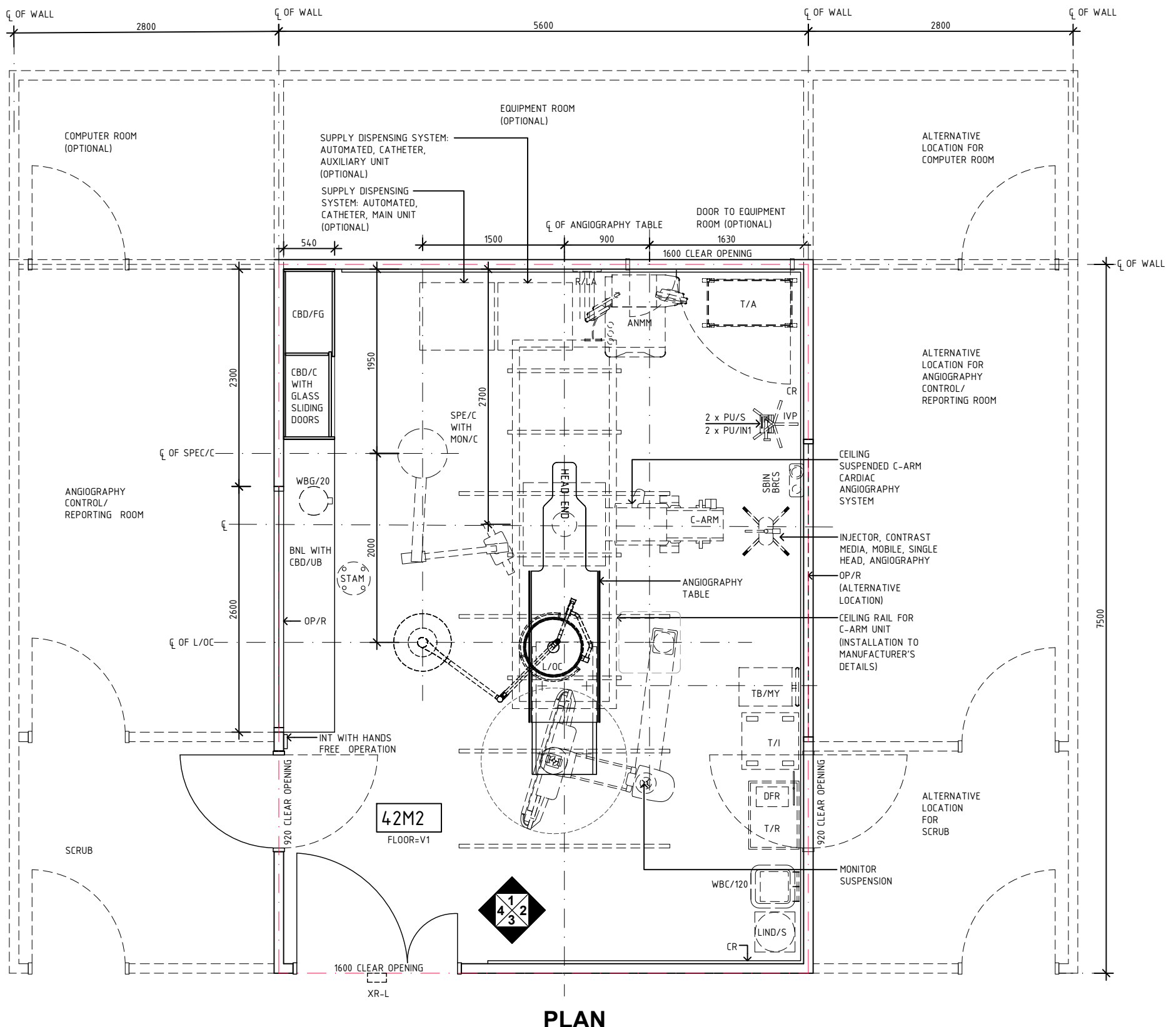
- O2 OXYGEN
- OPS/R OBSERVATION PANEL WITH SLIDING PANEL - RADIATION SHIELDING
- OWIN/LG OBSERVATION WINDOW - LEAD GLASS
- PC2 PLASTERBOARD CORNICE, FLUSHED COVERED
- PO/1E POWER OUTLET - EMERGENCY, SINGLE
- PO/1I ISOLATED POWER SUPPLY - SINGLE
- PO/2E POWER OUTLET - EMERGENCY, DOUBLE
- PO/2U UNINTERRUPTED POWER SUPPLY - DOUBLE
- PO/C POWER OUTLET - CLEANER'S
- PU/IN1 PUMP INFUSION SINGLE CHANNEL
- PU/S PUMP INFUSION SYRINGE
- R/LA RACK - LEAD APRON
- RAG RETURN AIR GRILL
- S SUCTION
- SAC STAFF ASSIST CALL
- SBIN SHARPS BIN
- SB SUCTION BOTTLE (ON PENDANT)
- SC SCAVENGE OUTLET
- SK4 FLOOR VINYL COVERED SKIRTING
- STAM STOOL - ADJUSTABLE, MOBILE
- SPE/C SERVICES PENDANT - CEILING
- T/A TROLLEY - ANAESTHETIC
- T/I TROLLEY - INSTRUMENT
- T/R TROLLEY - RESUSCITATION, ADULT
- TB/MY TABLE - MAYO
- V1 VINYL FLOORING, STANDARD SLIP RESISTANT
- WBC/120 WASTE BIN - CLINICAL, 120 LITRES
- WBG/20 WASTE BIN - GENERAL, 20 LITRES
- WPF WALL PAINT FINISH
- XR-L X-RAY IN USE LIGHT

- OBSEVATION PANEL WITH SLIDING PANEL - RADIATION SHIELDING
- OBSERVATION WINDOW - LEAD GLASS
- PLASTERBOARD CORNICE, FLUSHED COVERED
- POWER OUTLET - EMERGENCY, SINGLE
- ISOLATED POWER SUPPLY - SINGLE
- POWER OUTLET - EMERGENCY, DOUBLE
- UNINTERRUPTED POWER SUPPLY - DOUBLE
- POWER OUTLET - CLEANER'S
- PUMP INFUSION SINGLE CHANNEL
- PUMP INFUSION SYRINGE
- RACK - LEAD APRON
- RETURN AIR GRILL
- SUCTION
- STAFF ASSIST CALL
- SHARPS BIN
- SUCTION BOTTLE (ON PENDANT)
- SCAVENGE OUTLET
- FLOOR VINYL COVERED SKIRTING
- STOOL - ADJUSTABLE, MOBILE
- SERVICES PENDANT - CEILING
- TROLLEY - ANAESTHETIC
- TROLLEY - INSTRUMENT
- TROLLEY - RESUSCITATION, ADULT
- TABLE - MAYO
- VINYL FLOORING, STANDARD SLIP RESISTANT
- WASTE BIN - CLINICAL, 120 LITRES
- WASTE BIN - GENERAL, 20 LITRES
- WALL PAINT FINISH
- X-RAY IN USE LIGHT

SERVICES IN PENDANT

- 2 x COM/2
- 6 x PO/1E
- 6 x PO/1I
- 1 x MEDICAL AIR (MA)
- 1 x NITROUS OXIDE (N2O)
- 2 x OXYGEN (O2)
- 1 x SCAVENGE (SC)
- 2 x SUCTION (S)
- 1 x EMERGENCY CALL (EC)
- 1 x STAFF/NURSE ASSIST CALL (SAC)

NOTE:  
RADIATION SHIELDING REQUIREMENTS TO BE PROVIDED BY A QUALIFIED RADIATION SHIELDING CONSULTANT



PLAN

| REV | DESCRIPTION      | DATE     | BY | REV | DESCRIPTION      | DATE     | BY | COMPATIBILITY |
|-----|------------------|----------|----|-----|------------------|----------|----|---------------|
| 1   | FIRST ISSUE      | 24.10.10 | LL | 4   | GENERAL REVISION | 21.11.22 | BK |               |
| 2   | GENERAL REVISION | 30.08.11 | EF |     |                  |          |    |               |
| 3   | GENERAL REVISION | 31.10.12 | CT |     |                  |          |    |               |



International Health Facility Guidelines at:  
www.healthdesign.com.au/iHFG  
Editable version of Standard Components on  
Health Facility Briefing System (HFBS) at:  
www.healthdesign.com.au ©TAHPI



| DESIGNED      | APPROVED | DATE             | SCALE(S)   | SHEET  |
|---------------|----------|------------------|------------|--------|
| BK            | RH       | 21.11.22         | 1:50 in A3 | 1 OF 4 |
| CAD FILE NAME |          | PAPER DRAWING ID |            | ISSUE  |
| anpr-i        |          | anpr-i-1         |            | 4      |

# iHFG Standard Components

Room Layout Sheet

Room Name **Angiography Procedure Room**

RLS Room Code

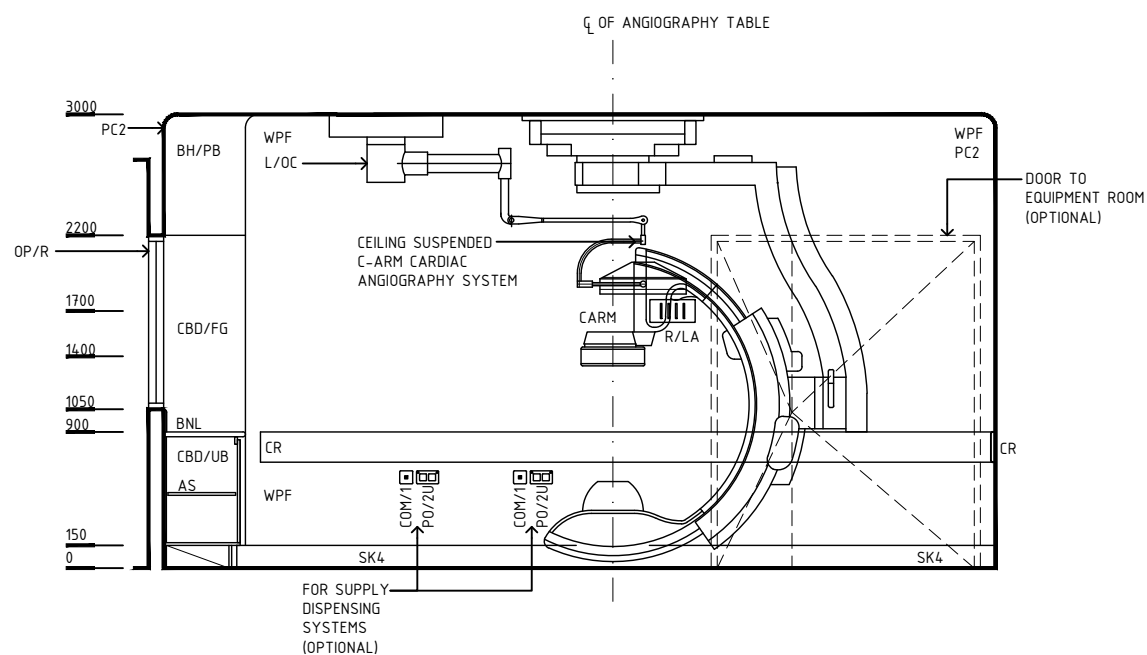
anpr-i

RDS Room Code

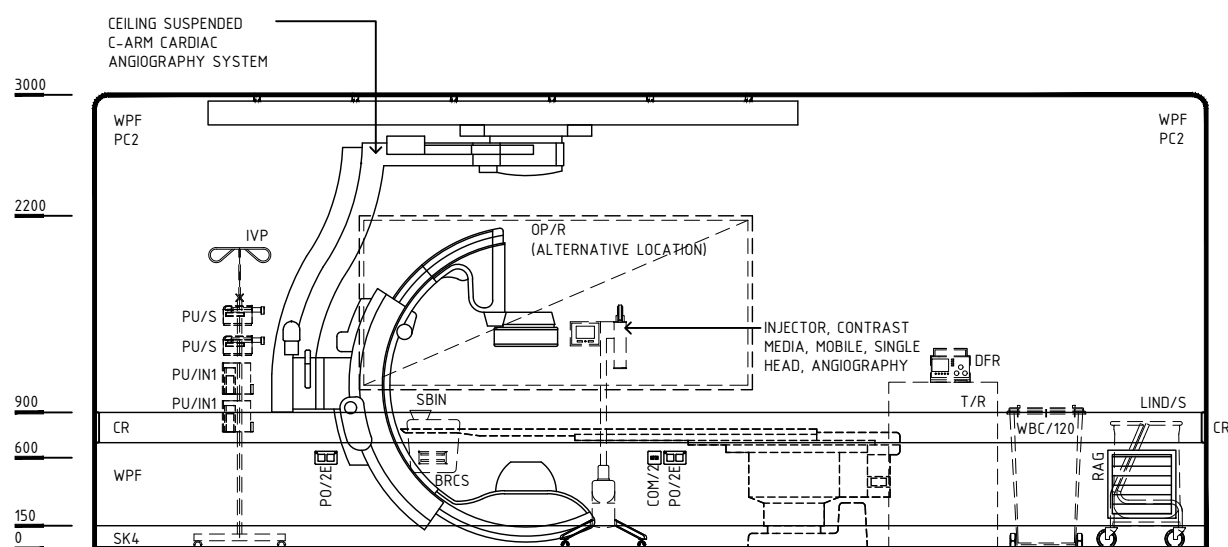
anpr-i

|        |  |         |  |                                   |
|--------|--|---------|--|-----------------------------------|
| ANMM   | ANAESTHETIC - MACHINE WITH ANAESTHETIC MONITOR | O2      | OXYGEN   |                                   |
| AS     | ADJUSTABLE SHELF                               | OPS/R   | OBSERVATION PANEL WITH SLIDING PANEL - RADIATION SHIELDING |                                   |
| BH/PB  | BULKHEAD - PLASTERBOARD, PAINT FINISH          | OWIN/LG | OBSERVATION WINDOW - LEAD GLASS                            |                                   |
| BNL    | BENCH - LAMINATE                               | PC2     | PLASTERBOARD CORNICE, FLUSHED COVERED                      |                                   |
| BRCS   | BRACKET - SHARPS                               | PO/1E   | POWER OUTLET - EMERGENCY, SINGLE                           |                                   |
| BRCSB  | BRACKET - SUCTION BOTTLE (ON PENDANT)          | PO/1I   | ISOLATED POWER SUPPLY - SINGLE                             |                                   |
| C      | CLOCK  | PO/2E   | POWER OUTLET - EMERGENCY, DOUBLE                           |                                   |
| CARP   | CARDIAC PROTECTED / IPS                        | PO/2U   | UNINTERRUPTED POWER SUPPLY - DOUBLE                        | SERVICES IN PENDANT               |
| CBD/C  | CUPBOARD - CATHETER HANGING                    | PO/C    | POWER OUTLET - CLEANER'S                                   | 2 x COM/2                         |
| CBD/D  | CUPBOARD - DRAWER UNIT                         | PU/IN1  | PUMP INFUSION SINGLE CHANNEL                               | 6 x PO/1E                         |
| CBD/FG | CUPBOARD - FULL HEIGHT, GLASS DOORS            | PU/S    | PUMP INFUSION SYRINGE                                      | 6 x PO/1I                         |
| CBD/UB | CUPBOARD - UNDER BENCH                         | R/LA    | RACK - LEAD APRON  | 1 x MEDICAL AIR (MA)              |
| COM/1  | COMMUNICATION OUTLET - SINGLE                  | RAG     | RETURN AIR GRILL   | 1 x NITROUS OXIDE (N2O)           |
| COM/2  | COMMUNICATION OUTLET - DOUBLE                  | S       | SUCTION  | 2 x OXYGEN (O2)                   |
| CR     | CRASHRAIL                                      | SAC     | STAFF ASSIST CALL  | 1 x SCAVENGE (SC)                 |
| DFP    | DOOR AND DOOR FRAME PROTECTION                 | SBIN    | SHARPS BIN   | 2 x SUCTION (S)                   |
| DFR    | DEFIBRILLATOR                                  | SB      | SUCTION BOTTLE (ON PENDANT)                                | 1 x EMERGENCY CALL (EC)           |
| EC     | EMERGENCY CALL                                 | SC      | SCAVENGE OUTLET  | 1 x STAFF/NURSE ASSIST CALL (SAC) |
| FR/UB  | FRIDGE - UNDER BENCH                           | SK4     | FLOOR VINYL COVERED SKIRTING                               |                                   |
| FS     | FIXED SHELF                                    | STAM    | STOOL - ADJUSTABLE, MOBILE                                 |                                   |
| INT    | INTERCOM                                       | SPE/C   | SERVICES PENDANT - CEILING                                 |                                   |
| IVP    | IV POLE  | T/A     | TROLLEY - ANAESTHETIC                                      |                                   |
| L/OC   | LIGHT - OPERATION WITH CAMERA                  | T/I     | TROLLEY - INSTRUMENT                                       |                                   |
| LIND/S | LINEN CARRIER - DIRTY, SINGLE                  | T/R     | TROLLEY - RESUSCITATION, ADULT                             |                                   |
| LS/R   | LIGHT SWITCH - ROOM                            | TB/MY   | TABLE - MAYO   |                                   |
| LS/DD  | LIGHT SWITCH - DOWNLIGHTS DIMMER               | V1      | VINYL FLOORING, STANDARD SLIP RESISTANT                    |                                   |
| MA     | MEDICAL AIR                                    | WBC/120 | WASTE BIN - CLINICAL, 120 LITRES                           |                                   |
| MON/C  | MONITOR - CARDIAC (ON PENDANT)                 | WBG/20  | WASTE BIN - GENERAL, 20 LITRES                             |                                   |
| N2O    | NITROUS OXIDE                                  | WPF     | WALL PAINT FINISH  |                                   |
|        |  | XR-L    | X-RAY IN USE LIGHT   |                                   |

NOTE:  
RADIATION SHIELDING REQUIREMENTS TO BE PROVIDED BY A QUALIFIED RADIATION SHIELDING CONSULTANT



**ELEVATION 1**



**ELEVATION 2**

| REV | DESCRIPTION      | DATE     | BY | REV | DESCRIPTION      | DATE     | BY | COMPATIBILITY |
|-----|------------------|----------|----|-----|------------------|----------|----|---------------|
| 1   | FIRST ISSUE      | 24.10.10 | LL | 4   | GENERAL REVISION | 21.11.22 | BK |               |
| 2   | GENERAL REVISION | 30.08.11 | EF |     |                  |          |    |               |
| 3   | GENERAL REVISION | 31.10.12 | CT |     |                  |          |    |               |

|   |  |    |  |               |                  |        |          |       |
|---|--|----|--|---------------|------------------|--------|----------|-------|
| <b>International Health Facility Guidelines</b> | International Health Facility Guidelines at:<br><a href="http://www.healthdesign.com.au/iHFG">www.healthdesign.com.au/iHFG</a><br>Editable version of Standard Components on<br>Health Facility Briefing System (HFBS) at:<br><a href="http://www.healthdesign.com.au/TAHPI">www.healthdesign.com.au/TAHPI</a> |    |  | DESIGNED      | APPROVED         | DATE   | SCALE(S) | SHEET |
|   | BK   | RH |  | 21.11.22      | 1:50 in A3       | 2 OF 4 |          |       |
|   |  |    |  | CAD FILE NAME | PAPER DRAWING ID |        | ISSUE    |       |
|   |  |    |  | anpr-i        | anpr-i-2         |        | 4        |       |

This document is for advisory purpose only

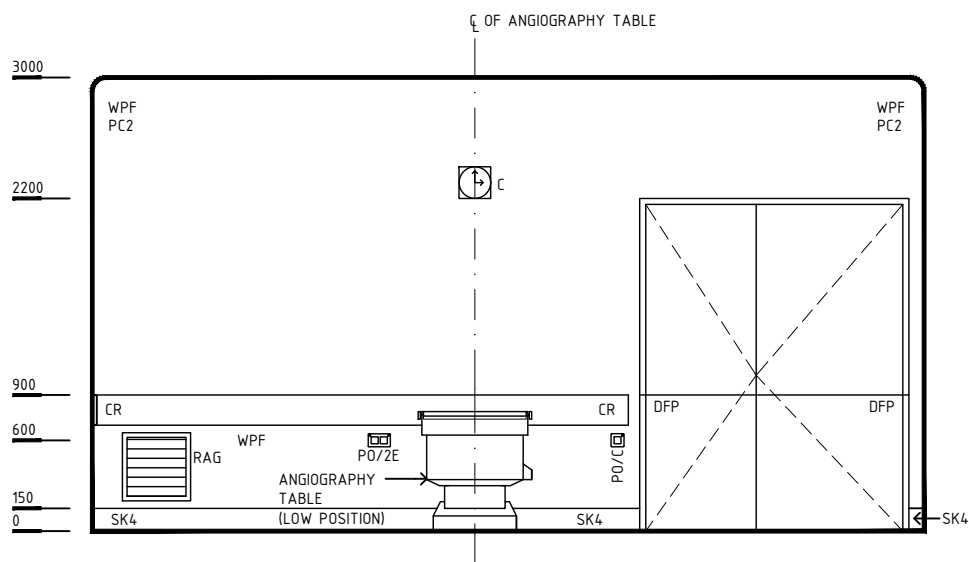
# iHFG Standard Components

Room Layout Sheet

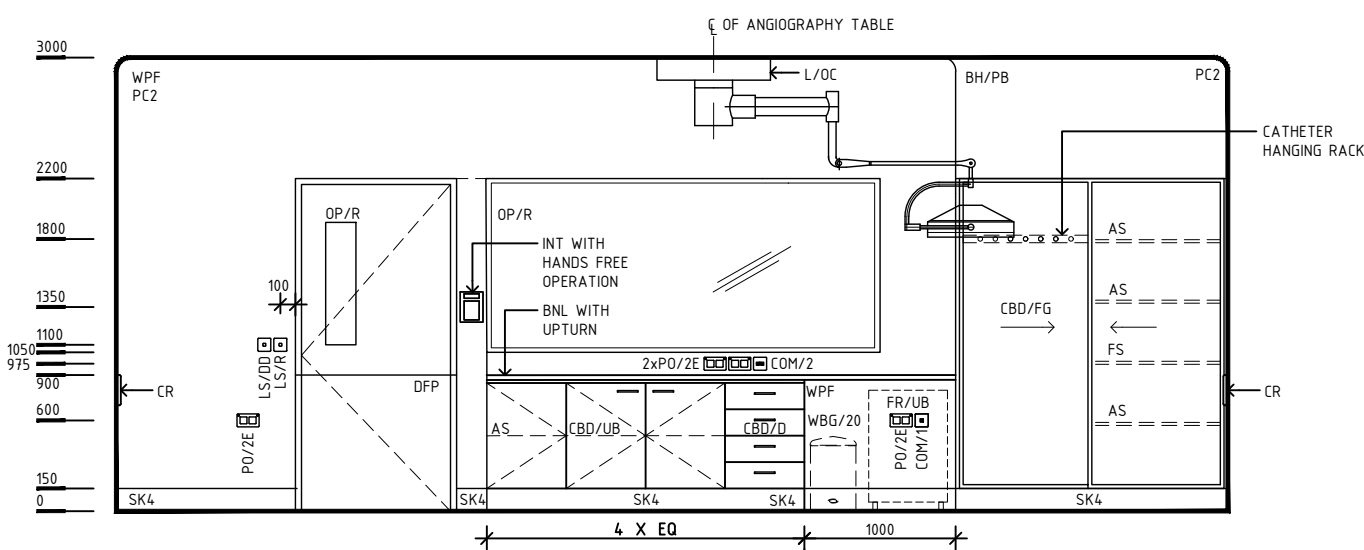
|           |                            |               |        |
|-----------|----------------------------|---------------|--------|
| Room Name | Angiography Procedure Room | RLS Room Code | anpr-i |
|           |                            | RDS Room Code | anpr-i |

|        |  |         |  |                                   |
|--------|--|---------|--|-----------------------------------|
| ANMM   | ANAESTHETIC - MACHINE WITH ANAESTHETIC MONITOR | O2      | OXYGEN   |                                   |
| AS     | ADJUSTABLE SHELF                               | OPS/R   | OBSERVATION PANEL WITH SLIDING PANEL - RADIATION SHIELDING |                                   |
| BH/PB  | BULKHEAD - PLASTERBOARD, PAINT FINISH          | OWIN/LG | OBSERVATION WINDOW - LEAD GLASS                            |                                   |
| BNL    | BENCH - LAMINATE                               | PC2     | PLASTERBOARD CORNICE, FLUSHED COVERED                      |                                   |
| BRCS   | BRACKET - SHARPS                               | PO/1E   | POWER OUTLET - EMERGENCY, SINGLE                           |                                   |
| BRCSB  | BRACKET - SUCTION BOTTLE (ON PENDANT)          | PO/1I   | ISOLATED POWER SUPPLY - SINGLE                             |                                   |
| C      | CLOCK  | PO/2E   | POWER OUTLET - EMERGENCY, DOUBLE                           |                                   |
| CARP   | CARDIAC PROTECTED / IPS                        | PO/2U   | UNINTERRUPTED POWER SUPPLY - DOUBLE                        | SERVICES IN PENDANT               |
| CBD/C  | CUPBOARD - CATHETER HANGING                    | PO/C    | POWER OUTLET - CLEANER'S                                   | 2 x COM/2                         |
| CBD/D  | CUPBOARD - DRAWER UNIT                         | PU/IN1  | PUMP INFUSION SINGLE CHANNEL                               | 6 x PO/1E                         |
| CBD/FG | CUPBOARD - FULL HEIGHT, GLASS DOORS            | PU/S    | PUMP INFUSION SYRINGE                                      | 6 x PO/1I                         |
| CBD/UB | CUPBOARD - UNDER BENCH                         | R/LA    | RACK - LEAD APRON  | 1 x MEDICAL AIR (MA)              |
| COM/1  | COMMUNICATION OUTLET - SINGLE                  | RAG     | RETURN AIR GRILL   | 1 x NITROUS OXIDE (N2O)           |
| COM/2  | COMMUNICATION OUTLET - DOUBLE                  | S       | SUCTION  | 2 x OXYGEN (O2)                   |
| CR     | CRASHRAIL                                      | SAC     | STAFF ASSIST CALL  | 1 x SCAVENGE (SC)                 |
| DFP    | DOOR AND DOOR FRAME PROTECTION                 | SBIN    | SHARPS BIN   | 2 x SUCTION (S)                   |
| DFR    | DEFIBRILLATOR                                  | SB      | SUCTION BOTTLE (ON PENDANT)                                | 1 x EMERGENCY CALL (EC)           |
| EC     | EMERGENCY CALL                                 | SC      | SCAVENGE OUTLET  | 1 x STAFF/NURSE ASSIST CALL (SAC) |
| FR/UB  | FRIDGE - UNDER BENCH                           | SK4     | FLOOR VINYL COVERED SKIRTING                               |                                   |
| FS     | FIXED SHELF                                    | STAM    | STOOL - ADJUSTABLE, MOBILE                                 |                                   |
| INT    | INTERCOM                                       | SPE/C   | SERVICES PENDANT - CEILING                                 |                                   |
| IVP    | IV POLE  | T/A     | TROLLEY - ANAESTHETIC                                      |                                   |
| L/OC   | LIGHT - OPERATION WITH CAMERA                  | T/I     | TROLLEY - INSTRUMENT                                       |                                   |
| LIND/S | LINEN CARRIER - DIRTY, SINGLE                  | T/R     | TROLLEY - RESUSCITATION, ADULT                             |                                   |
| LS/R   | LIGHT SWITCH - ROOM                            | TB/MY   | TABLE - MAYO   |                                   |
| LS/DD  | LIGHT SWITCH - DOWNLIGHTS DIMMER               | V1      | VINYL FLOORING, STANDARD SLIP RESISTANT                    |                                   |
| MA     | MEDICAL AIR                                    | WBC/120 | WASTE BIN - CLINICAL, 120 LITRES                           |                                   |
| MON/C  | MONITOR - CARDIAC (ON PENDANT)                 | WBG/20  | WASTE BIN - GENERAL, 20 LITRES                             |                                   |
| N2O    | NITROUS OXIDE                                  | WPF     | WALL PAINT FINISH  |                                   |
|        |  | XR-L    | X-RAY IN USE LIGHT   |                                   |

NOTE:  
RADIATION SHIELDING REQUIREMENTS TO BE PROVIDED BY A QUALIFIED RADIATION SHIELDING CONSULTANT



**ELEVATION 3**



**ELEVATION 4**

| REV | DESCRIPTION      | DATE     | BY | REV | DESCRIPTION      | DATE     | BY | COMPATIBILITY |
|-----|------------------|----------|----|-----|------------------|----------|----|---------------|
| 1   | FIRST ISSUE      | 24.10.10 | LL | 4   | GENERAL REVISION | 21.11.22 | BK |               |
| 2   | GENERAL REVISION | 30.08.11 | EF |     |                  |          |    |               |
| 3   | GENERAL REVISION | 31.10.12 | CT |     |                  |          |    |               |

|   |  |    |  |               |                  |        |          |       |
|---|--|----|--|---------------|------------------|--------|----------|-------|
| <b>International Health Facility Guidelines</b> | International Health Facility Guidelines at:<br><a href="http://www.healthdesign.com.au/iHFG">www.healthdesign.com.au/iHFG</a><br>Editable version of Standard Components on<br>Health Facility Briefing System (HFBS) at:<br><a href="http://www.healthdesign.com.au/TAHPI">www.healthdesign.com.au/TAHPI</a> |    |  | DESIGNED      | APPROVED         | DATE   | SCALE(S) | SHEET |
|   | BK   | RH |  | 21.11.22      | 1:50 in A3       | 3 OF 4 |          |       |
|   |  |    |  | CAD FILE NAME | PAPER DRAWING ID |        | ISSUE    |       |
|   |  |    |  | anpr-i        | anpr-i-3         |        | 4        |       |

This document is for advisory purpose only

# iHFG Standard Components

Room Layout Sheet

Room Name **Angiography Procedure Room**

RLS Room Code

RDS Room Code

anpr-i

anpr-i

**GENERAL NOTES:**

THIS DRAWING TO BE READ IN CONJUNCTION WITH R.D.S. (ROOM DATA SHEETS) WHICH TAKES PRECEDENCE.

ALL SERVICES INDICATED ARE INDICATIVE AND SUBJECT TO DETAILED PROJECT SPECIFIC ENGINEERING DESIGN.

**CEILING LEGEND:**

BH/PB PLASTERBOARD BULKHEAD, PAINT  
 PB PLASTERBOARD FLUSH SET CEILING, PAINT FINISH  
 PC3 PLASTER BOARD SQUARE SET CORNICE

--- GRID LINE  
 PB 2700 CEILING TYPE  
 2700 HEIGHT ABOVE F.F.L.

**ELECTRICAL LEGEND:**

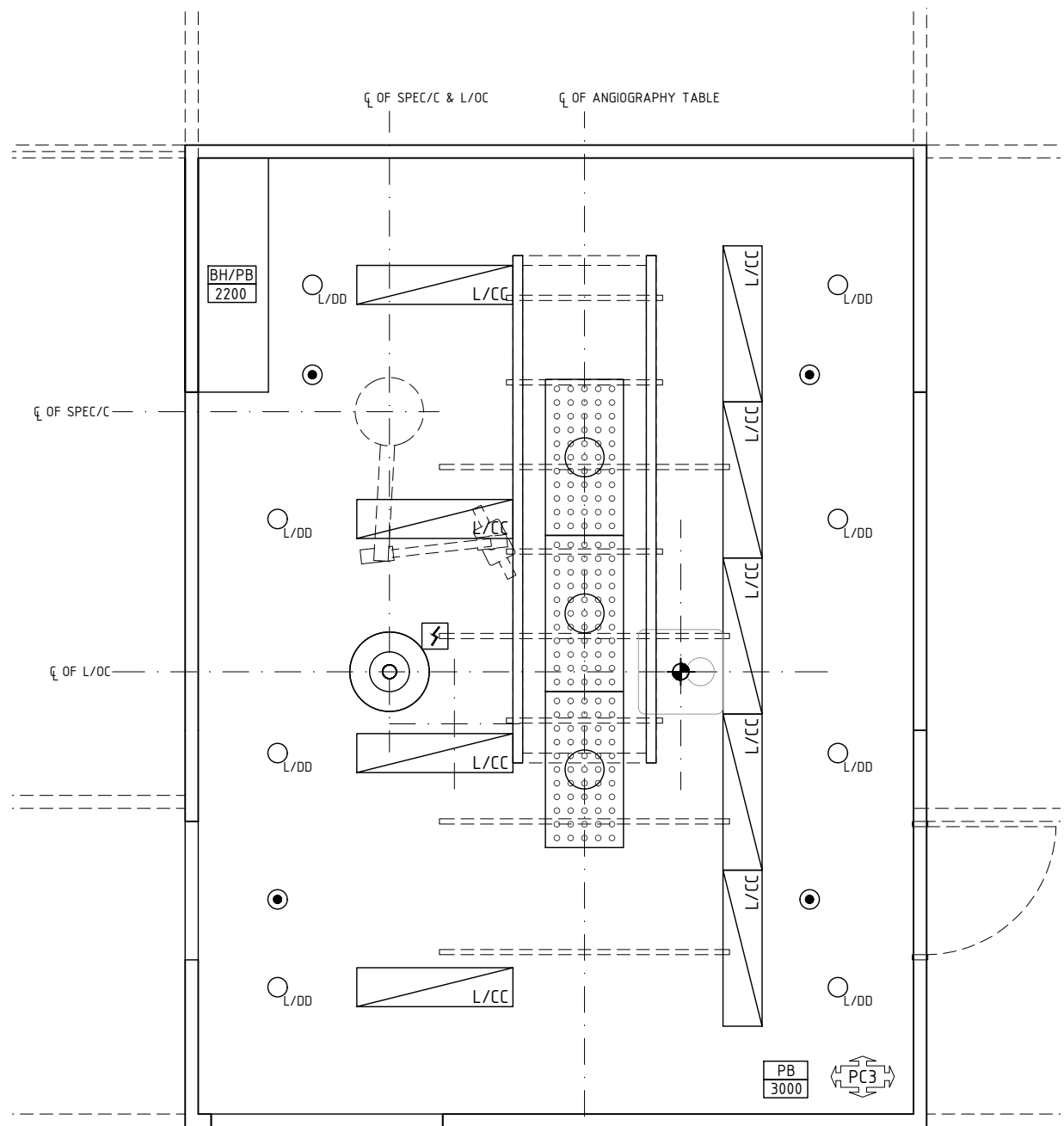
L/CC LIGHT - COLOUR CORRECTED  
 L/DD LIGHT - DOWNLIGHT, DIMMABLE

**MECHANICAL LEGEND:**

HEPA FILTER GRILLE

**FIRE SERVICES LEGEND:**

☒ SMOKE DETECTOR  
 ● SPRINKLER



**REFLECTED CEILING PLAN**

| REV | DESCRIPTION      | DATE     | BY | REV | DESCRIPTION      | DATE     | BY | COMPATIBILITY |
|-----|------------------|----------|----|-----|------------------|----------|----|---------------|
| 1   | FIRST ISSUE      | 24.10.10 | LL | 4   | GENERAL REVISION | 21.11.22 | BK |               |
| 2   | GENERAL REVISION | 30.08.11 | EF |     |                  |          |    |               |
| 3   | GENERAL REVISION | 31.10.12 | CT |     |                  |          |    |               |