

# iHFG Standard Components

## Room Layout Sheet

RLS Room Code

bbw-1-i

RDS Room Code

bbw-1-i

Room Name **Bay - Blanket/ Fluid Warmer, 1m<sup>2</sup>**

BH/PB	BULKHEAD - PLASTERBOARD, PAINT FINISH
CBT/BFW	CABINET - BLANKET/ FLUID WARMING
CG	CORNER GUARD
L/DR	LIGHT - DOWNLIGHT, RECESSED
PO/2	POWER OUTLET - DOUBLE
SK4	FLOOR VINYL COVERED SKIRTING
WPF	WALL PAINT FINISH

### GENERAL NOTES:

THIS DRAWING TO BE READ IN CONJUNCTION WITH R.D.S. (ROOM DATA SHEETS) WHICH TAKES PRECEDENCE.

ALL SERVICES INDICATED ARE INDICATIVE AND SUBJECTED TO DETAILED PROJECT SPECIFIC ENGINEERING DESIGN.

### CEILING LEGEND:

	CEILING TYPE
	CORNICE TYPE
PB-PC3 2700	HEIGHT ABOVE F.F.L.
BH/PB-PC3	PLASTERBOARD BULKHEAD, PAINT FINISH WITH SQUARE SET CORNICE

### MECHANICAL LEGEND:

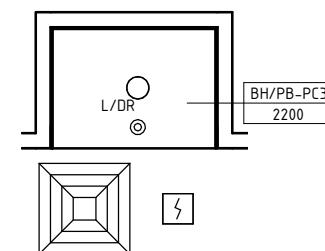
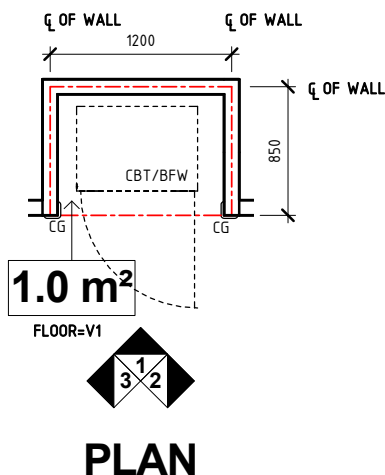
	SUPPLY AIR GRILLE
--	-------------------

### ELECTRICAL LEGEND:

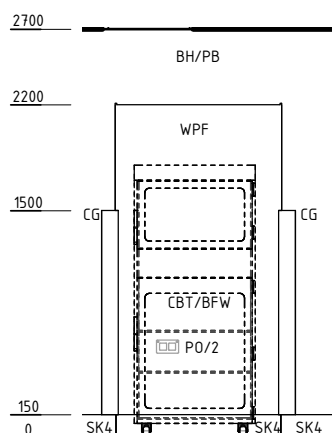
	L/DR	LIGHT - DOWNLIGHT, RECESSED
--	------	-----------------------------

### FIRE SERVICES LEGEND:

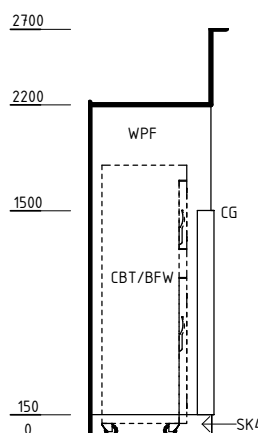
	SMOKE DETECTOR
	SPRINKLER



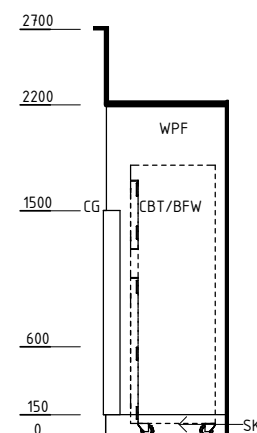
### REFLECTED CEILING PLAN



**ELEVATION 1**



**ELEVATION 2**



**ELEVATION 3**

REV	DESCRIPTION	DATE	BY	REV	DESCRIPTION	DATE	BY	COMPATIBILITY
1	FIRST ISSUE	19.06.15	NB					iHFG
2	GENERAL REVISION	19.09.22	AK					

DESIGNED	APPROVED	DATE	SCALE(S)	SHEET
AK	SA	19.09.22	1 : 50	1 OF 1
REVIT FILE NAME		PAPER DRAWING ID		ISSUE
bbw-1-i		bbw-1-i-1		2