

# iHFG Standard Components

## Room Layout Sheet

RLS Room Code

bdf-1-i

RDS Room Code

bdf-1-i

Room Name **Bay - Drinking Fountain, 1m2**

|       |                                         |
|-------|-----------------------------------------|
| BH/PB | BULKHEAD - PLASTERBOARD, PAINT FINISH   |
| CG    | CORNER GUARD                            |
| DDC   | DISPENSER - DISPOSABLE CUPS             |
| DF/WM | DRINKING FOUNTAIN - WALL MOUNTED        |
| LS/B  | LIGHT SWITCH - BAY                      |
| SBK   | SPLASHBACK                              |
| V1    | VINYL FLOORING, STANDARD SLIP RESISTANT |
| WBG   | WASTE BIN - GENERAL                     |
| WPF   | WALL PAINT FINISH                       |

### GENERAL NOTES:

THIS DRAWING TO BE READ IN CONJUNCTION WITH R.D.S. (ROOM DATA SHEETS) WHICH TAKES PRECEDENCE.

ALL SERVICES INDICATED ARE INDICATIVE AND SUBJECT TO DETAILED PROJECT SPECIFIC ENGINEERING DESIGN.

### CEILING LEGEND:

|                |                     |
|----------------|---------------------|
|                | CEILING TYPE        |
|                | CORNICE TYPE        |
| PB-PC2<br>2700 | HEIGHT ABOVE F.F.L. |

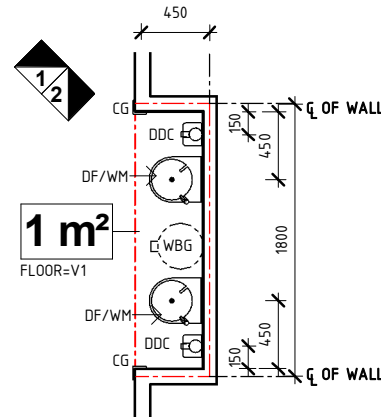
|        |                                                                                   |
|--------|-----------------------------------------------------------------------------------|
| BH/PB  | BULKHEAD - PLASTERBOARD, PAINT FINISH                                             |
| PB-PC3 | PLASTERBOARD FLUSH SET CEILING, PAINT FINISH WITH PLASTERBOARD SQUARE SET CORNICE |

### ELECTRICAL LEGEND:

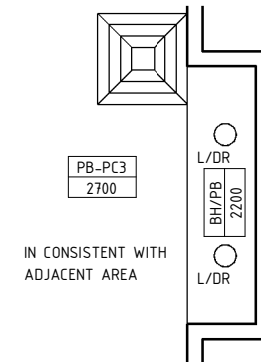
|  |      |                             |
|--|------|-----------------------------|
|  | L/DR | LIGHT - DOWNLIGHT, RECESSED |
|--|------|-----------------------------|

### MECHANICAL LEGEND:

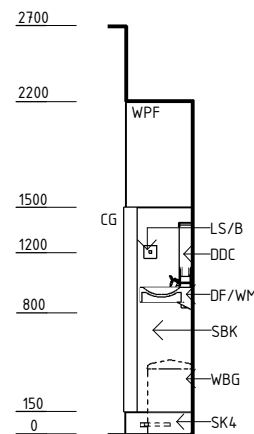
|  |                   |
|--|-------------------|
|  | SUPPLY AIR GRILLE |
|--|-------------------|



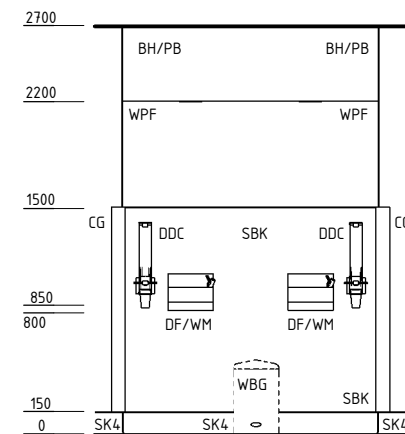
**PLAN**



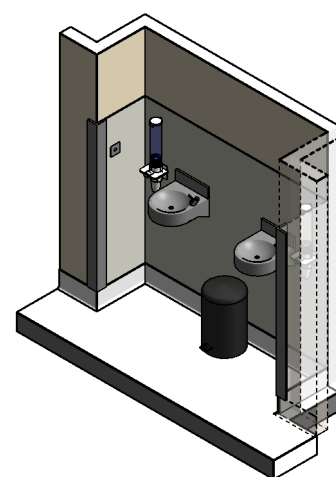
**REFLECTED CEILING PLAN**



**ELEVATION 1**



**ELEVATION 2**



**ISOMETRIC VIEW**

| REV | DESCRIPTION      | DATE     | BY | REV | DESCRIPTION | DATE | BY | COMPATIBILITY |
|-----|------------------|----------|----|-----|-------------|------|----|---------------|
| 1   | FIRST ISSUE      | 19.06.15 | HB |     |             |      |    |               |
| 2   | GENERAL REVISION | 25.05.23 | SS |     |             |      |    |               |



International Health Facility Guidelines at:  
www.healthdesign.com.au/iHFG  
Editable version of Standard Components on  
Health Facility Briefing System (HFBS) at:  
www.healthdesign.com.au ©TAHPI



| DESIGNED        | APPROVED | DATE             | SCALE(S) | SHEET  |
|-----------------|----------|------------------|----------|--------|
| SS              | SA       | 25.05.23         | 1 : 50   | 1 OF 1 |
| REVIT FILE NAME |          | PAPER DRAWING ID |          | ISSUE  |
| bdf-1-i         |          | bdf-1-i-1        |          | 2      |