

iHFG Standard Components

Room Layout Sheet

RLS Room Code

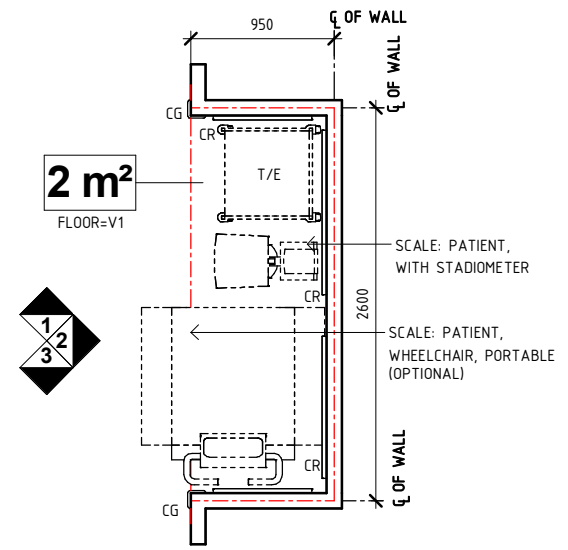
bhw-2-i

RDS Room Code

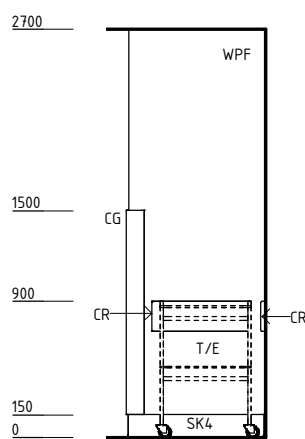
bhw-2-i

Room Name **Bay - Height/ Weight, 2m2**

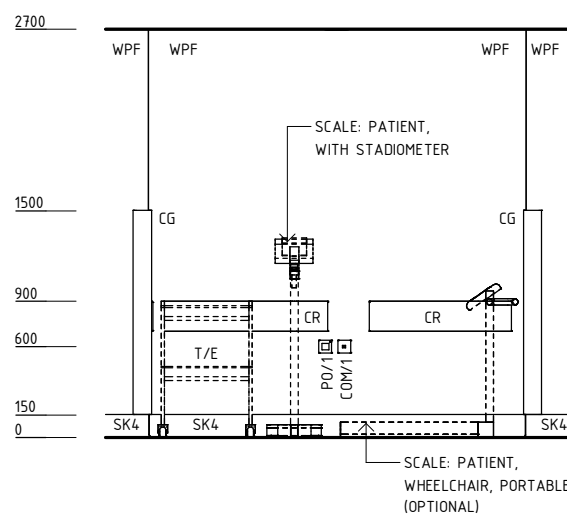
CG	CORNER GUARD
COM/1	COMMUNICATION OUTLET - SINGLE
CR	CRASH RAIL
PO/1	POWER OUTLET - SINGLE
SK4	FLOOR VINYL COVED SKIRTING
T/E	TROLLEY - EQUIPMENT
V1	VINYL FLOORING, STANDARD SLIP RESISTANT
WPF	WALL PAINT FINISH



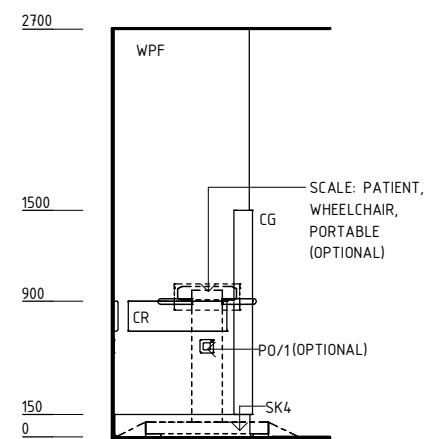
PLAN



ELEVATION 1



ELEVATION 2



ELEVATION 3

REV	DESCRIPTION	DATE	BY	REV	DESCRIPTION	DATE	BY	COMPATIBILITY
1	FIRST ISSUE	13.01.16	NB					iHFG
2	GENERAL REVISION	25.05.23	AM					



International Health Facility Guidelines at:
www.healthdesign.com.au/iHFG
 Editable version of Standard Components on
 Health Facility Briefing System (HFBS) at:
www.healthdesign.com.au ©TAHPI



DESIGNED	APPROVED	DATE	SCALE(S)	SHEET
AM	SA	25.05.23	1 : 50	1 OF 2
REVIT FILE NAME		PAPER DRAWING ID		ISSUE
bhw-2-i		bhw-2-i-1		2

iHFG Standard Components

Room Layout Sheet

Room Name | Bay - Height/ Weight, 2m2

RLS Room Code

bhw-2-i

RDS Room Code

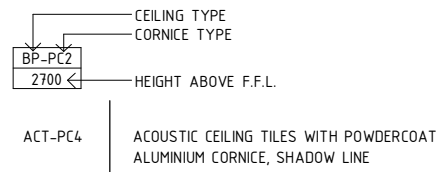
bhw-2-i

GENERAL NOTES:

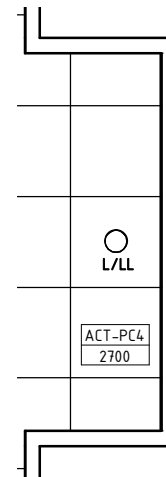
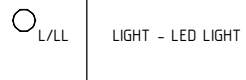
THIS DRAWING TO BE READ IN CONJUNCTION WITH R.D.S. (ROOM DATA SHEETS) WHICH TAKES PRECEDENCE.

ALL SERVICES INDICATED ARE INDICATIVE AND SUBJECT TO DETAILED PROJECT SPECIFIC ENGINEERING DESIGN.

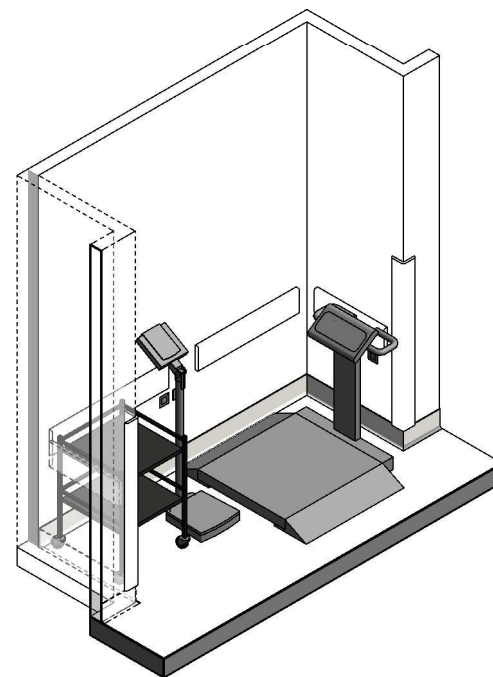
CEILING LEGEND:



ELECTRICAL LEGEND:



REFLECTED CEILING PLAN



ISOMETRIC VIEW

REV	DESCRIPTION	DATE	BY	REV	DESCRIPTION	DATE	BY	COMPATIBILITY
1	FIRST ISSUE	13.01.16	NB					iHFG
2	GENERAL REVISION	25.05.23	AM					

DESIGNED	APPROVED	DATE	SCALE(S)	SHEET
AM	SA	25.05.23	1 : 50	2 OF 2

REVIT FILE NAME	PAPER DRAWING ID	ISSUE
bhw-2-i	bhw-2-i-2	2