

# iHFG Standard Components

## Room Layout Sheet

RLS Room Code

bhws-a-i

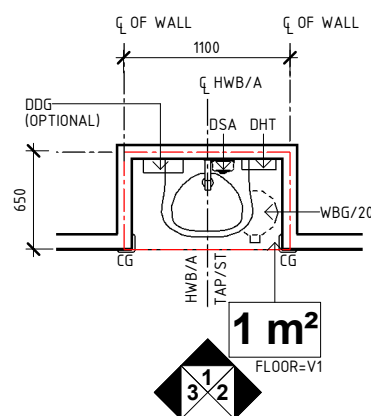
RDS Room Code

bhws-a-i

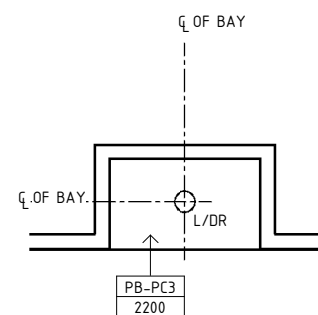
Room Name

Bay - Handwashing, Type A

BH/PB	BULKHEAD - PLASTERBOARD, PAINT FINISH
CG	CORNER GUARD
DDG	DISPENSER - DISPOSABLE GLOVES
DHT	DISPENSER - PAPER HAND TOWEL
DSA	DISPENSER - SOAP, ANTISEPTIC
HWB/A	HAND WASH BASIN - TYPE 'A'
L/DR	LIGHT - DOWNLIGHT, RECESSED
SBK	SPLASHBACK
SK4	FLOOR VINYL COVERED SKIRTING
TAP/ST	TAPWARE - SENSOR TAP
V1	VINYL FLOORING, STANDARD SLIP RESISTANT
WBG/20	WASTE BIN - GENERAL, 20 LITRE
WPF	WALL PAINT FINISH



PLAN



REFLECTED CEILING PLAN

**GENERAL NOTES:**

THIS DRAWING TO BE READ IN CONJUNCTION WITH R.D.S. (ROOM DATA SHEETS) WHICH TAKES PRECEDENCE.

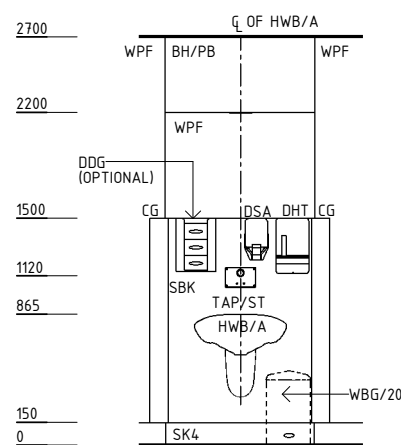
ALL SERVICES INDICATED ARE INDICATIVE AND SUBJECT TO DETAILED PROJECT SPECIFIC ENGINEERING DESIGN.

**CEILING LEGEND:**

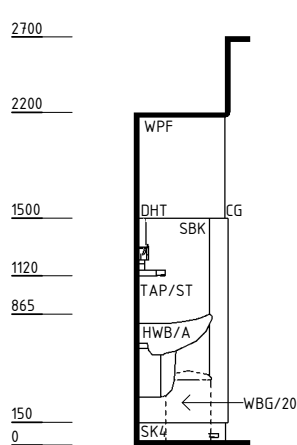
	CEILING TYPE
	CORNICE TYPE
	HEIGHT ABOVE F.F.L.
PB-PC3	PLASTERBOARD FLUSH SET CEILING, PAINT FINISH WITH PLASTERBOARD SQUARE SET CORNICE
	GRID LINE

**ELECTRICAL LEGEND:**

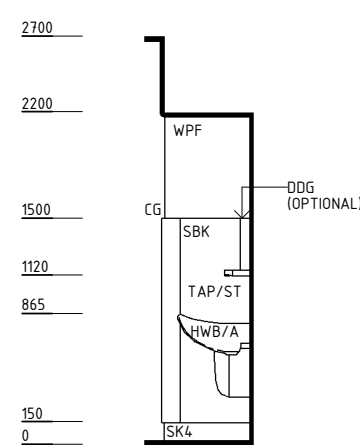
	L/DR	LIGHT - DOWNLIGHT, RECESSED
--	------	-----------------------------



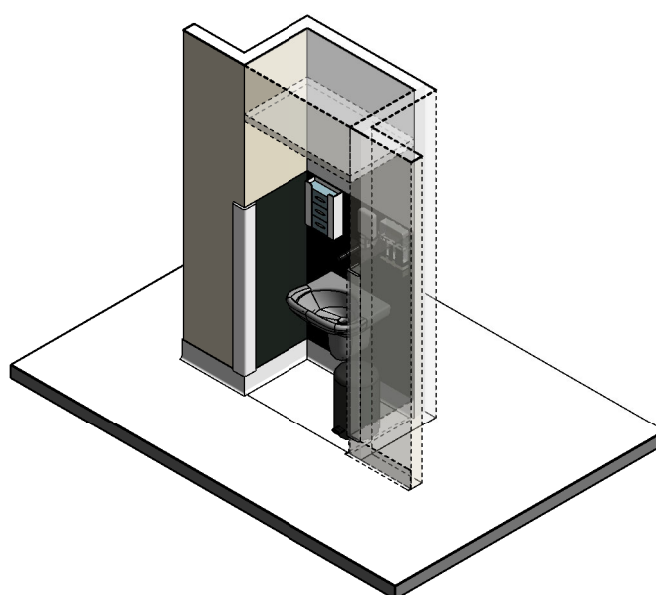
ELEVATION 1



ELEVATION 2



ELEVATION 3



ISOMETRIC VIEW

REV	DESCRIPTION	DATE	BY	REV	DESCRIPTION	DATE	BY	COMPATIBILITY
1	FIRST ISSUE	21.09.16	JR					
2	GENERAL REVISION	31.08.22	RA					



International Health Facility Guidelines at:  
www.healthdesign.com.au/iHFG  
Editable version of Standard Components on  
Health Facility Briefing System (HFBS) at:  
www.healthdesign.com.au ©TAHPI



DESIGNED	APPROVED	DATE	SCALE(S)	SHEET
RA	RH	31.08.22	1 : 50	1 OF 1
REVIT FILE NAME		PAPER DRAWING ID		ISSUE
bhws-a-i		bhws-a-i-1		2