

# iHFG Standard Components

## Room Layout Sheet

RLS Room Code

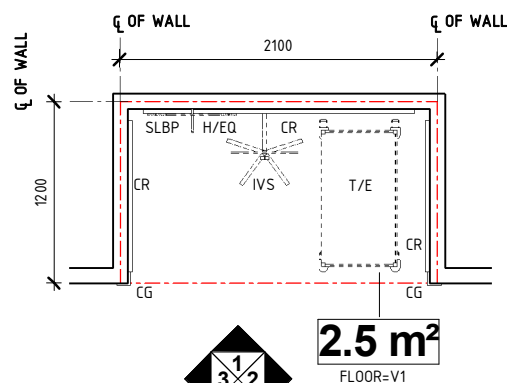
bmeq-2.5-i

RDS Room Code

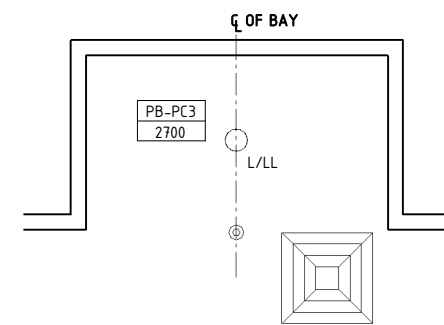
bmeq-2.5-i

Room Name **Bay - Mobile Equipment, 2.5m<sup>2</sup>**

- CG CORNER GUARD
- CR CRASH RAIL
- H/EQ HOOK - EQUIPMENT
- IVS IV STAND - MOBILE
- L/LL LIGHT - LED LIGHT
- PO/2 POWER OUTLET - DOUBLE
- SK4 FLOOR VINYL COVED SKIRTING
- SLBP SLIDE BOARDS - PATIENT
- T/E TROLLEY - EQUIPMENT
- V1 VINYL FLOORING, STANDARD SLIP RESISTANT
- WPF WALL PAINT FINISH



**PLAN**



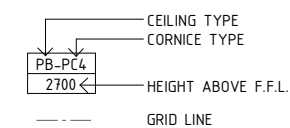
**REFLECTED CEILING PLAN**

**GENERAL NOTES:**

THIS DRAWING TO BE READ IN CONJUNCTION WITH R.D.S. (ROOM DATA SHEETS) WHICH TAKES PRECEDENCE.

ALL SERVICES INDICATED ARE INDICATIVE AND SUBJECT TO DETAILED PROJECT SPECIFIC ENGINEERING DESIGN.

**CEILING LEGEND:**



PB-PC3 PLASTERBOARD FLUSH SET CEILING, PAINT FINISH WITH PLASTERBOARD SQUARE SET CORNICE

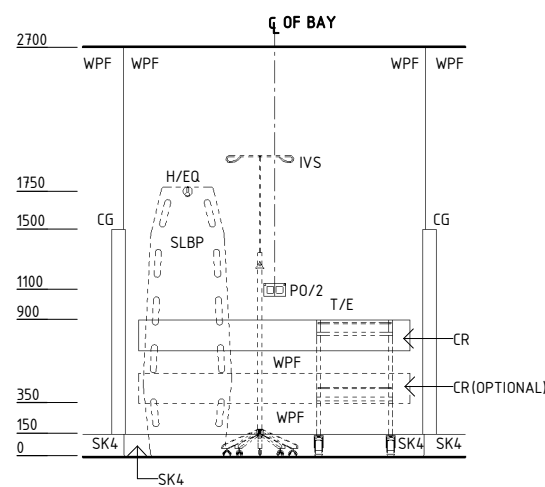
**ELECTRICAL LEGEND:**



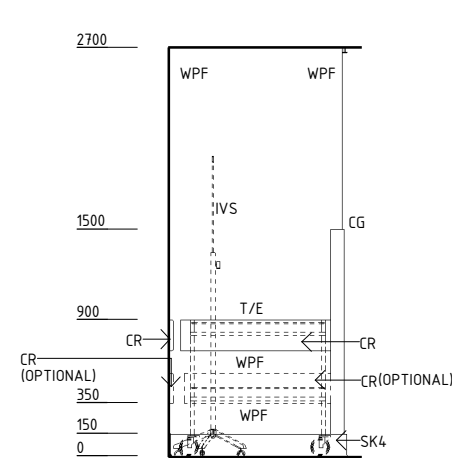
**MECHANICAL LEGEND:**



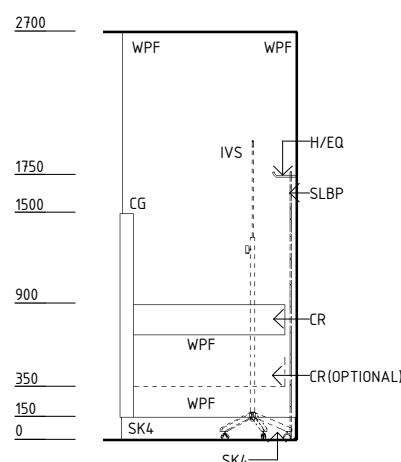
**FIRE SERVICES LEGEND:**



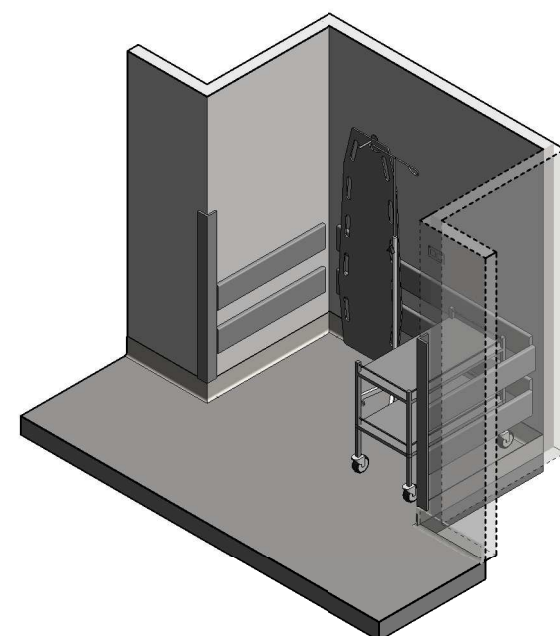
**ELEVATION 1**



**ELEVATION 2**



**ELEVATION 3**



**ISOMETRIC VIEW**

REV	DESCRIPTION	DATE	BY	REV	DESCRIPTION	DATE	BY	COMPATIBILITY
1	FIRST ISSUE	24.10.10	CC	4	GENERAL REVISION	25.05.23	SS	iHFG
2	GENERAL REVISION	30.08.11	MT					
3	GENERAL REVISION	31.10.12	CT					



International Health Facility Guidelines at:  
www.healthdesign.com.au/iHFG  
Editable version of Standard Components on  
Health Facility Briefing System (HFBS) at:  
www.healthdesign.com.au@TAHPI



DESIGNED	APPROVED	DATE	SCALE(S)	SHEET
SS	SA	25.05.23	1 : 50	1 OF 1
REVIT FILE NAME		PAPER DRAWING ID		ISSUE
bmeq-2.5-i		bmeq-2.5-i-1		4