

iHFG Standard Components

Room Layout Sheet

RLS Room Code

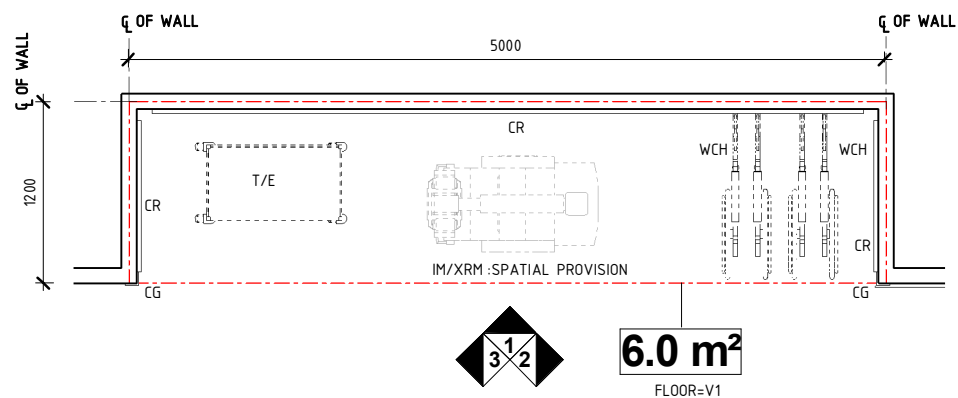
bmeq-6-i

RDS Room Code

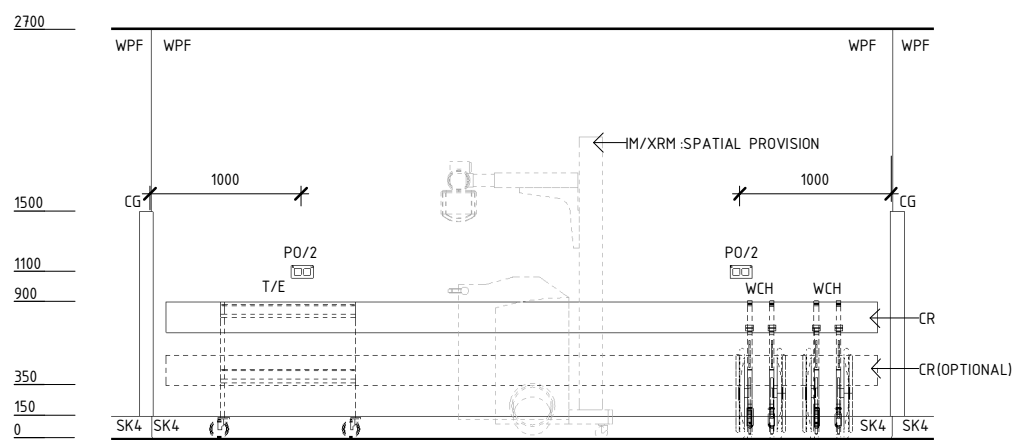
bmeq-6-i

Room Name **Bay - Mobile Equipment, 6m2**

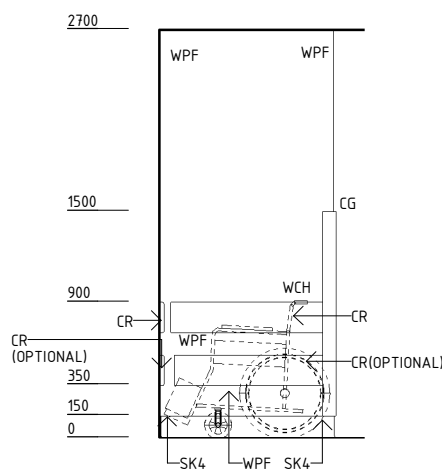
- CG CORNER GUARD
- CR CRASH RAIL
- IM/XRM IMAGING - X-RAY MACHINE, MOBILE
- PO/2 POWER OUTLET - DOUBLE
- SK4 FLOOR VINYL COVED SKIRTING
- T/E TROLLEY - EQUIPMENT
- V1 VINYL FLOORING, STANDARD SLIP RESISTANT
- WCH WHEELCHAIR
- WPF WALL PAINT FINISH



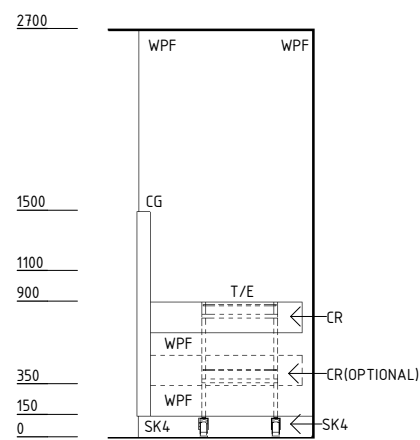
PLAN



ELEVATION 1



ELEVATION 2



ELEVATION 3

REV	DESCRIPTION	DATE	BY	REV	DESCRIPTION	DATE	BY	COMPATIBILITY
1	FIRST ISSUE	24.10.10	CC	4	GENERAL REVISION	25.05.23	SS	
2	GENERAL REVISION	30.08.11	MT					
3	GENERAL REVISION	31.10.12	CT					



International Health Facility Guidelines at:
www.healthdesign.com.au/iHFG
 Editable version of Standard Components on
 Health Facility Briefing System (HFBS) at:
www.healthdesign.com.au ©TAHPI



DESIGNED	APPROVED	DATE	SCALE(S)	SHEET
SS	SA	25.05.23	1 : 50	1 OF 2
REVIT FILE NAME		PAPER DRAWING ID		ISSUE
bmeq-6-i		bmeq-6-i-1		4

iHFG Standard Components

Room Layout Sheet

RLS Room Code

bmeq-6-i

RDS Room Code

bmeq-6-i

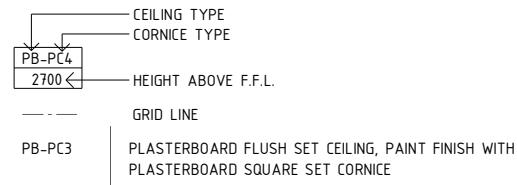
Room Name **Bay - Mobile Equipment, 6m2**

GENERAL NOTES:

THIS DRAWING TO BE READ IN CONJUNCTION WITH R.D.S. (ROOM DATA SHEETS) WHICH TAKES PRECEDENCE.

ALL SERVICES INDICATED ARE INDICATIVE AND SUBJECT TO DETAILED PROJECT SPECIFIC ENGINEERING DESIGN.

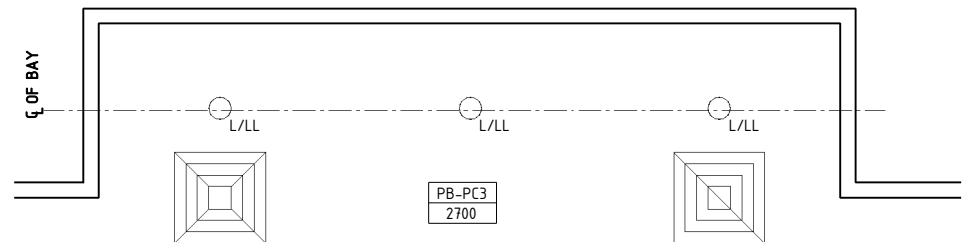
CEILING LEGEND:



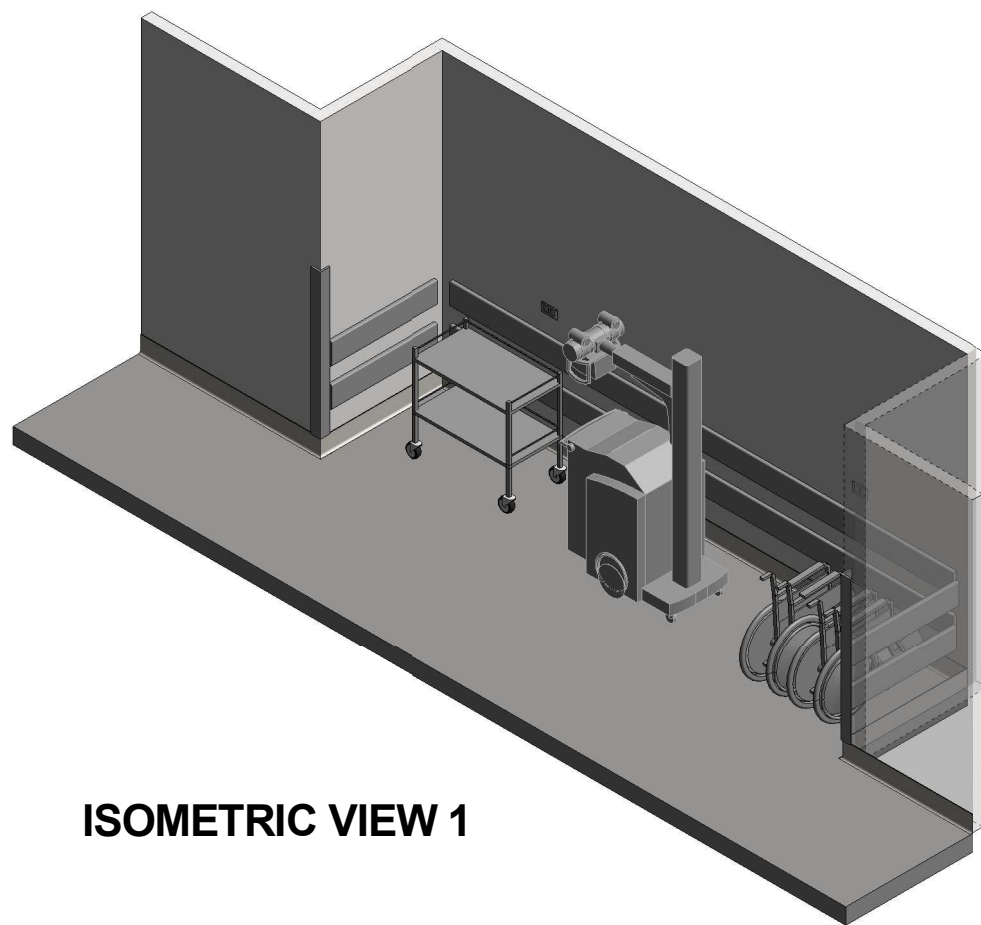
ELECTRICAL LEGEND:



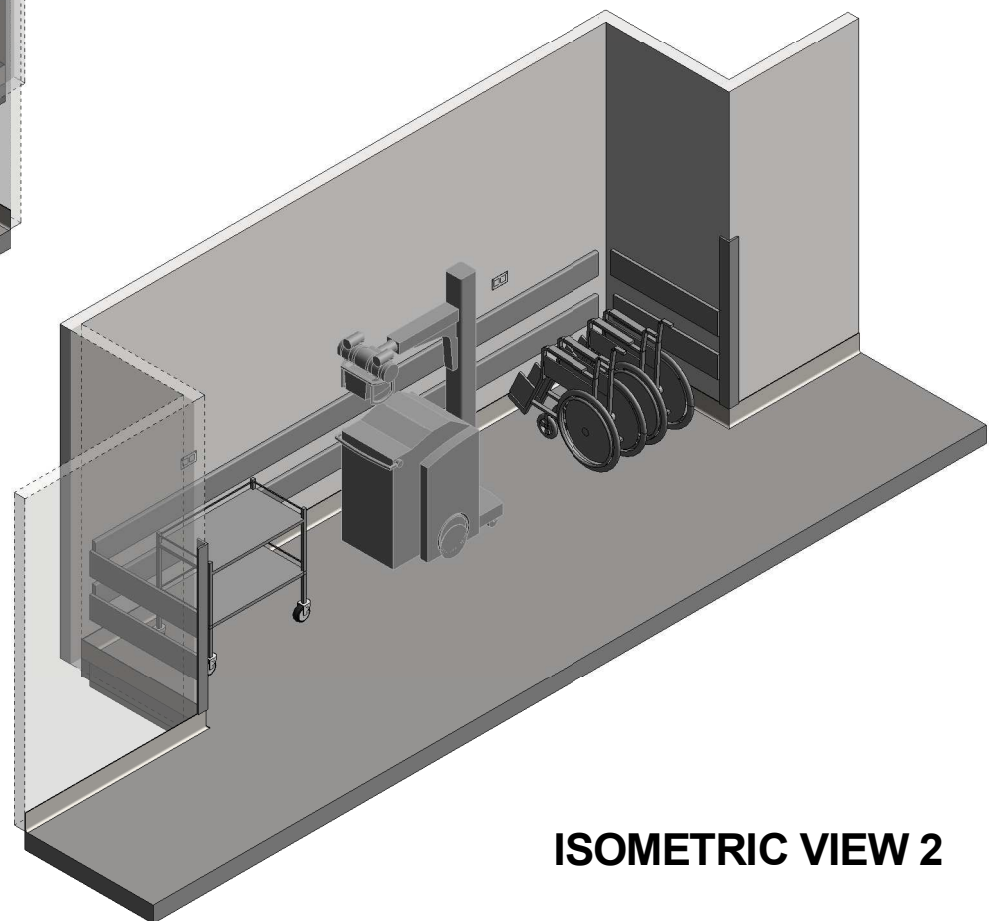
MECHANICAL LEGEND:



REFLECTED CEILING PLAN



ISOMETRIC VIEW 1



ISOMETRIC VIEW 2

REV	DESCRIPTION	DATE	BY	REV	DESCRIPTION	DATE	BY	COMPATIBILITY															
1	FIRST ISSUE	24.10.10	CC	4	GENERAL REVISION	25.05.23	SS																
2	GENERAL REVISION	30.08.11	MT																				
3	GENERAL REVISION	31.10.12	CT																				
International Health Facility Guidelines at: www.healthdesign.com.au/iHFG Editable version of Standard Components on Health Facility Briefing System (HFBS) at: www.healthdesign.com.au ©TAHPI								<table border="1"> <thead> <tr> <th>DESIGNED</th> <th>APPROVED</th> <th>DATE</th> <th>SCALE(S)</th> <th>SHEET</th> </tr> </thead> <tbody> <tr> <td>SS</td> <td>SA</td> <td>25.05.23</td> <td>1 : 50</td> <td>2 OF 2</td> </tr> <tr> <td colspan="2"> REVIT FILE NAME bmeq-6-i </td> <td colspan="2"> PAPER DRAWING ID bmeq-6-i-2 </td> <td> ISSUE 4 </td> </tr> </tbody> </table>	DESIGNED	APPROVED	DATE	SCALE(S)	SHEET	SS	SA	25.05.23	1 : 50	2 OF 2	REVIT FILE NAME bmeq-6-i		PAPER DRAWING ID bmeq-6-i-2		ISSUE 4
DESIGNED	APPROVED	DATE	SCALE(S)	SHEET																			
SS	SA	25.05.23	1 : 50	2 OF 2																			
REVIT FILE NAME bmeq-6-i		PAPER DRAWING ID bmeq-6-i-2		ISSUE 4																			