

iHFG Standard Components

Room Layout Sheet

RLS Room Code

bmt-4-i

RDS Room Code

bmt-4-i

Room Name **Bay - Meal Trolley, 4m²**

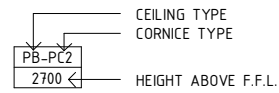
CG	CORNER GUARD
CR	CRASH RAIL
L/DR	LIGHT - DOWNLIGHT, RECESSED
LS/B	LIGHT SWITCH - BAY
PO/S-3PH	POWER OUTLET - SPECIAL, 3 PHASE
SK4	FLOOR VINYL COVED SKIRTING
T/F	TROLLEY - FOOD DELIVERY, HOT/COLD
T/T	TROLLEY - TRAY
V1	VINYL FLOORING, STANDARD SLIP RESISTANT
WPF	WALL PAINT FINISH

GENERAL NOTES:

THIS DRAWING TO BE READ IN CONJUNCTION WITH R.D.S. (ROOM DATA SHEETS) WHICH TAKES PRECEDENCE.

ALL SERVICES INDICATED ARE INDICATIVE AND SUBJECT TO DETAILED PROJECT SPECIFIC ENGINEERING DESIGN.

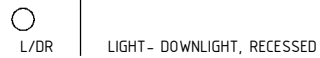
CEILING LEGEND:



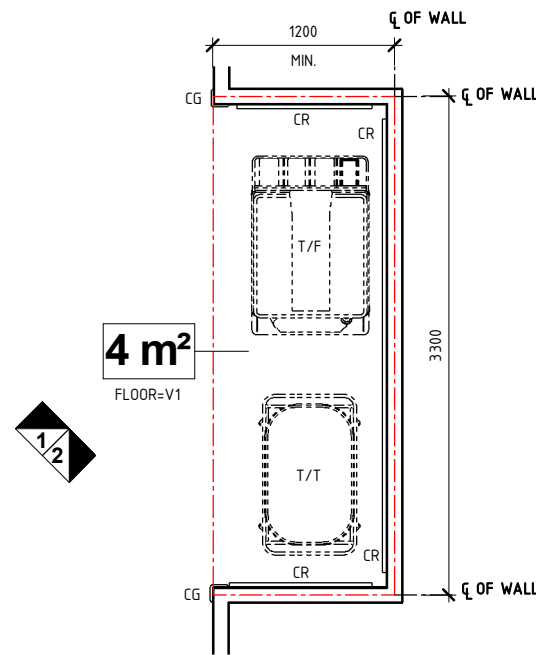
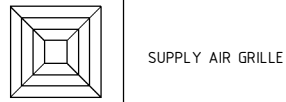
PB-PC3 PLASTERBOARD FLUSH SET CEILING, PAINT FINISH WITH PLASTERBOARD SQUARE SET CORNICHE

--- GRID LINE

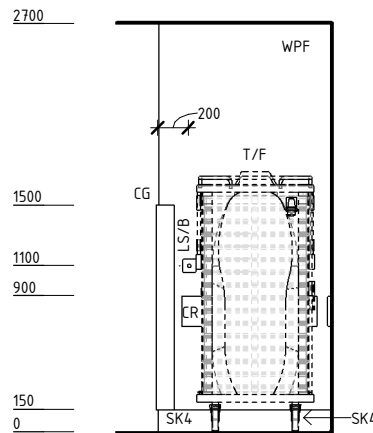
ELECTRICAL LEGEND:



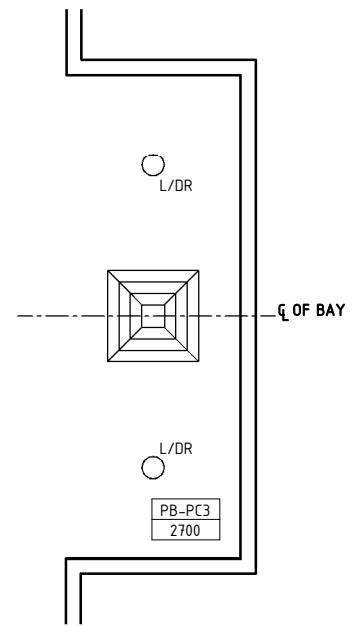
MECHANICAL LEGEND:



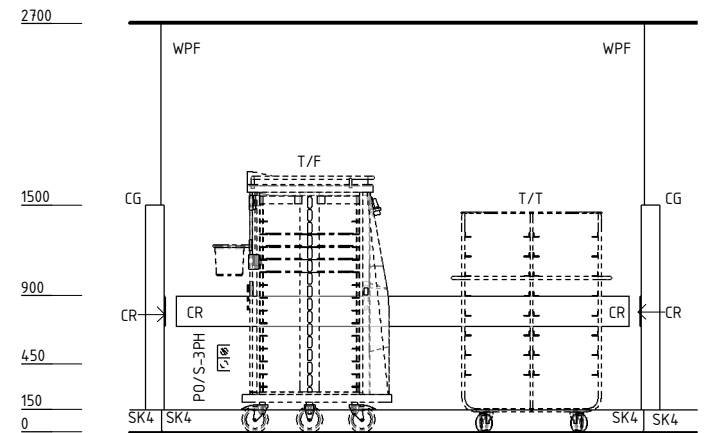
PLAN



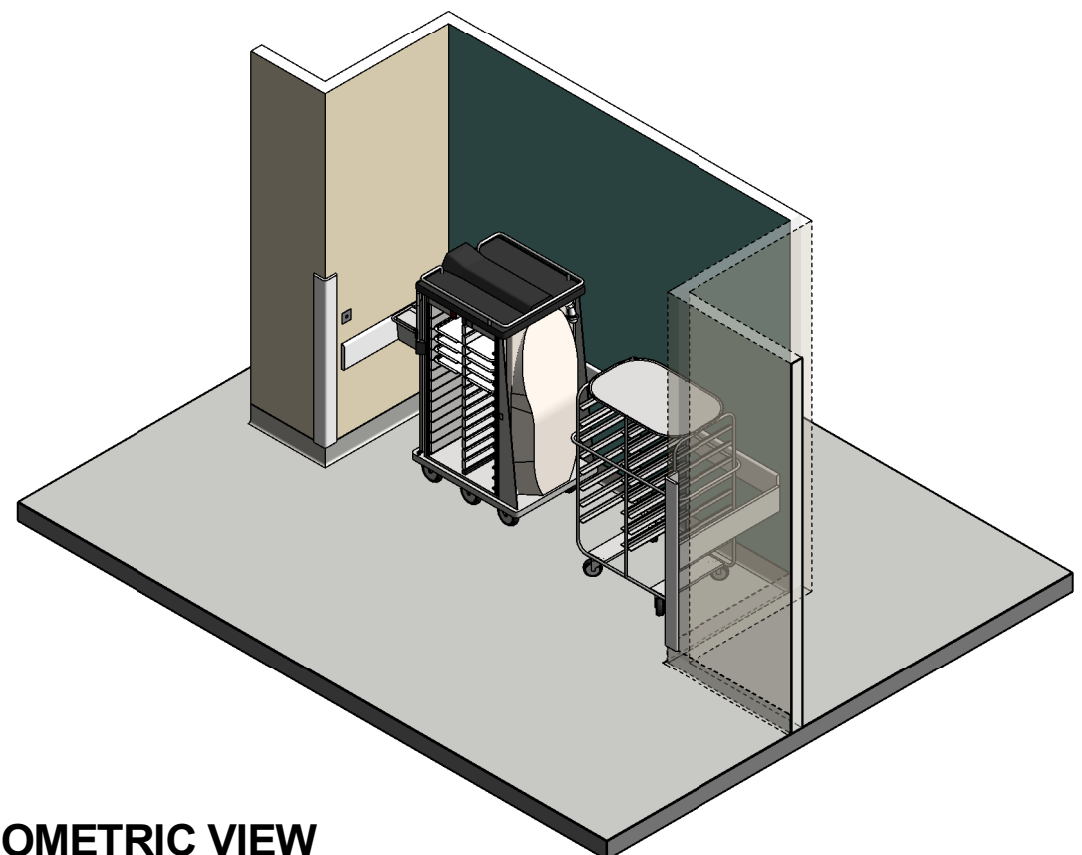
ELEVATION 1



REFLECTED CEILING PLAN



ELEVATION 2



ISOMETRIC VIEW

REV	DESCRIPTION	DATE	BY	REV	DESCRIPTION	DATE	BY	COMPATIBILITY
1	FIRST ISSUE	24.10.10	CC	4	GENERAL REVISION	25.05.23	AM	iHFG
2	GENERAL REVISION	30.08.11	MT					
3	GENERAL REVISION	31.10.12	CT					



International Health Facility Guidelines at:
www.healthdesign.com.au/iHFG
Editable version of Standard Components on
Health Facility Briefing System (HFBS) at:
www.healthdesign.com.au ©TAHPI



DESIGNED	APPROVED	DATE	SCALE(S)	SHEET
AM	SA	25.05.23	1 : 50	1 OF 1
REVIT FILE NAME		PAPER DRAWING ID		ISSUE
bmt-4-i		bmt-4-i-1		4