

# iHFG Standard Components

## Room Layout Sheet

Room Name **Bay - Utility, 1.5m2**

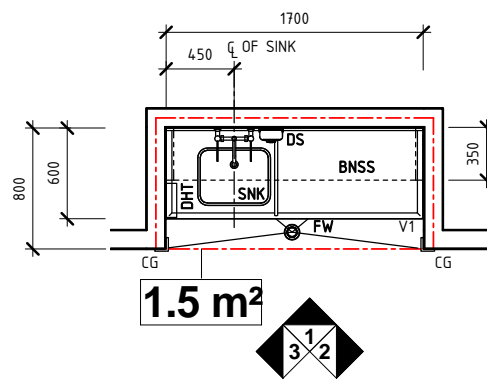
RLS Room Code

but-1.5-i

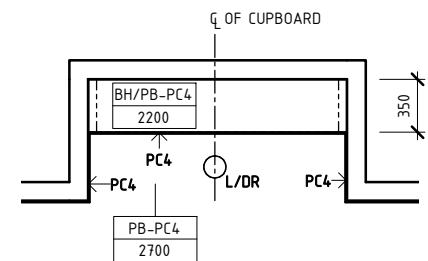
RDS Room Code

but-1.5-i

- BNSS BENCH - STAINLESS STEEL
- BH/PB BULKHEAD - PLASTERBOARD, PAINT FINISH
- CG CORNER GUARD
- CBD/AS CUPBOARD - ADJUSTABLE SHELVES
- DHT DISPENSER - PAPER - HAND TOWEL
- DS DISPENSER - SOAP
- SK4 FLOOR VINYL COVED SKIRTING
- FW FLOOR WASTE
- L/DR LIGHT - DOWNLIGHT, RECESSED
- PB PLASTERBOARD FLUSH SET CEILING, PAINT FINISH
- PC4 POWDERCOAT ALUMINIUM CORNICE, SHADOW LINE
- SNK SINK, STAINLESS STEEL
- V1 VINYL FLOORING, STANDARD SLIP RESISTANT
- WPF WALL PAINT FINISH
- WV WALL VINYL
- WBP/20 WASTE BIN - PAPER, 20 LITRE



**PLAN**



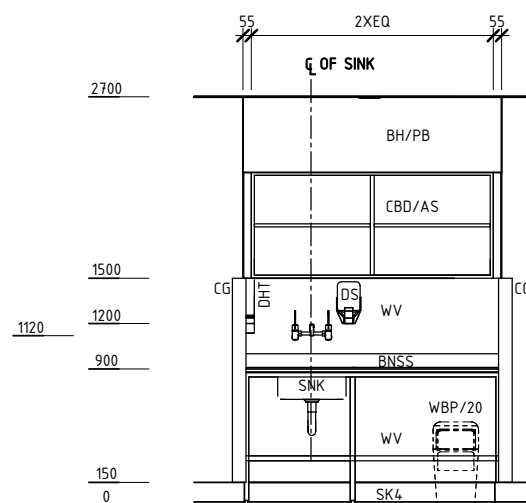
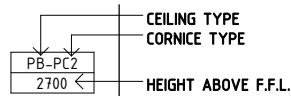
**REFLECTED CEILING PLAN**

**GENERAL NOTES:**

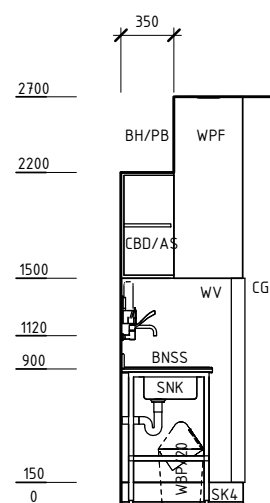
THIS DRAWING TO BE READ IN CONJUNCTION WITH R.D.S. (ROOM DATA SHEETS) WHICH TAKES PRECEDENCE.

ALL SERVICES INDICATED ARE INDICATIVE AND SUBJECT TO DETAILED PROJECT SPECIFIC ENGINEERING DESIGN.

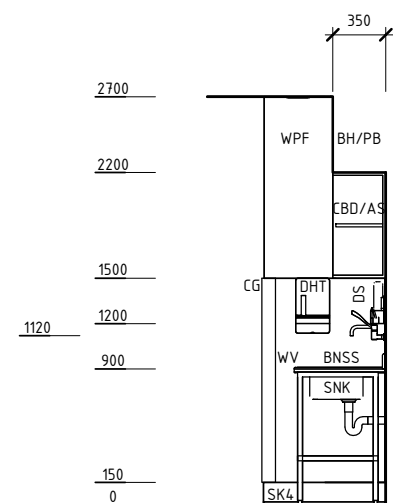
**CEILING LEGEND:**



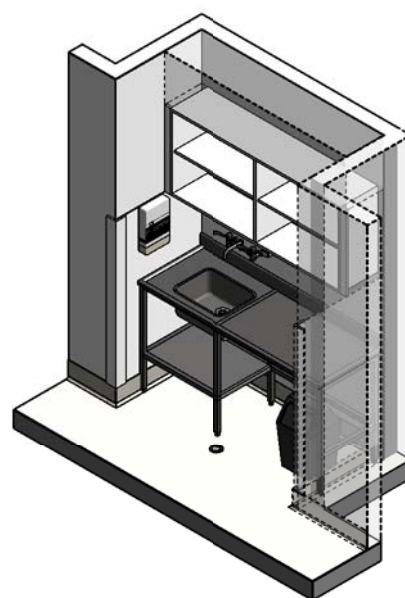
**ELEVATION 1**



**ELEVATION 2**



**ELEVATION 3**



**ISOMETRIC VIEW**



**PERSPECTIVE VIEW**

REV	DESCRIPTION	DATE	BY	REV	DESCRIPTION	DATE	BY	COMPATIBILITY																				
1	FIRST ISSUE	15.09.16	JR					iHFG AHFG FGI HBN HTM HAAD																				
								<table border="1"> <tr> <th>DESIGNED</th> <th>APPROVED</th> <th>DATE</th> <th>SCALE(S)</th> <th>SHEET</th> </tr> <tr> <td>CCC</td> <td></td> <td>26.07.16</td> <td>1 : 50</td> <td>1 OF 1</td> </tr> <tr> <th colspan="2">REVIT FILE NAME</th> <th colspan="2">PAPER DRAWING ID</th> <th>ISSUE</th> </tr> <tr> <td colspan="2">but-1.5-i</td> <td colspan="2">but-1.5-i-1</td> <td>1</td> </tr> </table>	DESIGNED	APPROVED	DATE	SCALE(S)	SHEET	CCC		26.07.16	1 : 50	1 OF 1	REVIT FILE NAME		PAPER DRAWING ID		ISSUE	but-1.5-i		but-1.5-i-1		1
DESIGNED	APPROVED	DATE	SCALE(S)	SHEET																								
CCC		26.07.16	1 : 50	1 OF 1																								
REVIT FILE NAME		PAPER DRAWING ID		ISSUE																								
but-1.5-i		but-1.5-i-1		1																								



International Health Facility Guidelines at:  
www.healthdesign.com.au/iHFG  
Editable version of Standard Components on  
Health Facility Briefing System (HFBS) at:  
www.healthdesign.com.au ©TAHPI





The International Health Facility Guidelines recommends the use of HFBS “Health Facility Briefing System” to edit all room data sheet information for your project.

HFBS provides edit access to all iHFG standard rooms, and departments, and more than 100 custom report templates.

## HFBS Health Facility Briefing System



### Briefing Module

The Health Facility Briefing System (HFBS) has numerous modules available via annual subscription. It suits healthcare Architects, Medical Planners, Equipment Planners Project Managers and Health Authorities.

Use the HFBS Briefing Module to quickly drag in health facility departments or pre-configured room templates from the iHFG standard, edit the room features such as finishes, furniture, fittings, fixtures, medical equipment, engineering services. The system can print or download as PDF more than 100 custom reports including room data sheets, schedules, and more...

To learn more about the HFBS web-based Healthcare Briefing and Design Software and to obtain editable versions of the “Standard Components” including Room Data Sheets (RDS) and Room Layout Sheets (RLS) offered on the iHFG website, signup for HFBS using the link below.

**Get Started Now:**  
[hfbs.healthdesign.com.au](http://hfbs.healthdesign.com.au)

- ✓ iHFG Room Data Sheets and Departments are instantly editable in the HFBS software available online.
- ✓ You can access hundreds of report templates to print your iHFG room data in HFBS.
- ✓ HFBS has a onetime free 3 day trial available to all new users.

**Get Started Now:**  
[hfbs.healthdesign.com.au](http://hfbs.healthdesign.com.au)



## HFBS

Health Facility Briefing System

[hfbsinfo.com](http://hfbsinfo.com) | [techsupport@healthdesign.com.au](mailto:techsupport@healthdesign.com.au)