

iHFG Standard Components

Room Layout Sheet

RLS Room Code

bwc-i

RDS Room Code

bwc-i

Room Name **Bay - Wheelchair Park, 4m²**

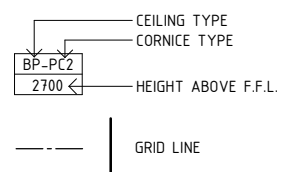
CG	CORNER GUARD
CR	CRASH RAIL
L/LL	LIGHT - LED LIGHT
PB	PLASTERBOARD FLUSH SET CEILING, PAINT FINISH
PC4	POWDERCOAT ALUMINIUM CORNICE, SHADOW LINE
PO/2	POWER OUTLET - DOUBLE
SK4	FLOOR VINYL COVERED SKIRTING
V1	VINYL FLOORING, STANDARD SLIP RESISTANT
WCH	WHEELCHAIR
WPF	WALL PAINT FINISH

GENERAL NOTES:

THIS DRAWING TO BE READ IN CONJUNCTION WITH R.D.S. (ROOM DATA SHEETS) WHICH TAKES PRECEDENCE.

ALL SERVICES INDICATED ARE INDICATIVE AND SUBJECT TO DETAILED PROJECT SPECIFIC ENGINEERING DESIGN.

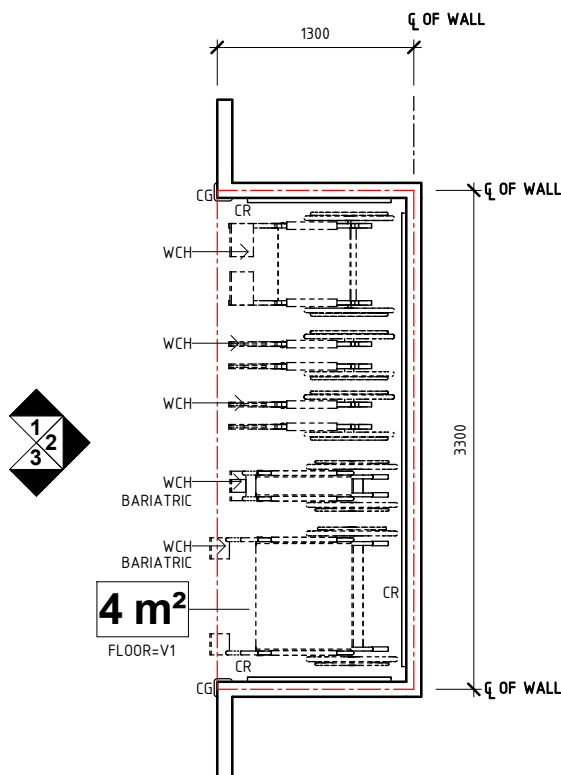
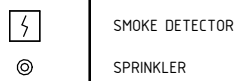
CEILING LEGEND:



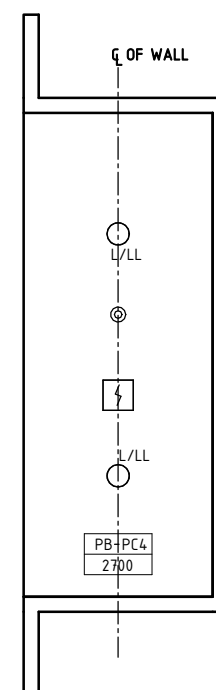
ELECTRICAL LEGEND:



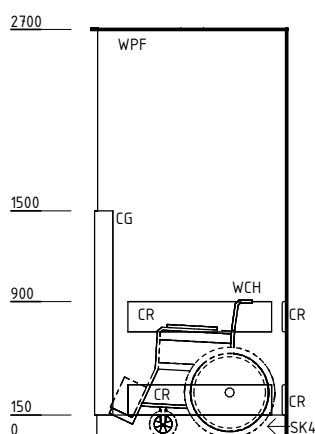
FIRE SERVICES LEGEND:



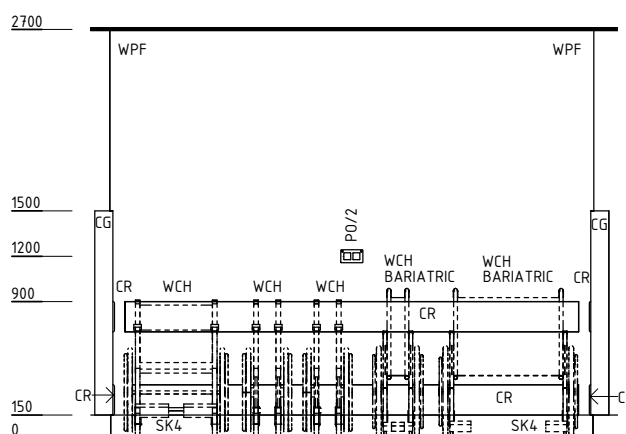
PLAN



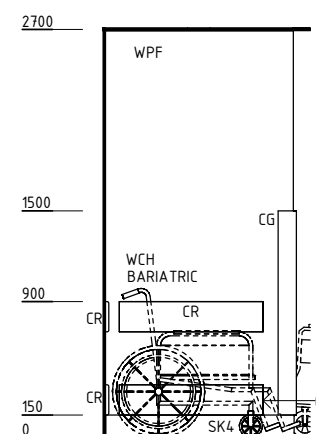
REFLECTED CEILING PLAN



ELEVATION 1



ELEVATION 2



ELEVATION 3

REV	DESCRIPTION	DATE	BY	REV	DESCRIPTION	DATE	BY	COMPATIBILITY				
1	FIRST ISSUE	31.10.22	SK					iHFG				
2	GENERAL REVISION	30.08.11	CT									
3	GENERAL REVISION	31.10.12	AK									
								DESIGNED	APPROVED	DATE	SCALE(S)	SHEET
								AK	SA	31.10.22	1 : 50	1 OF 1
								REVIT FILE NAME		PAPER DRAWING ID		ISSUE
								bwc-i		bwc-i-1		3