

iHFG Standard Components

Room Layout Sheet

RLS Room Code

chpt-d-i

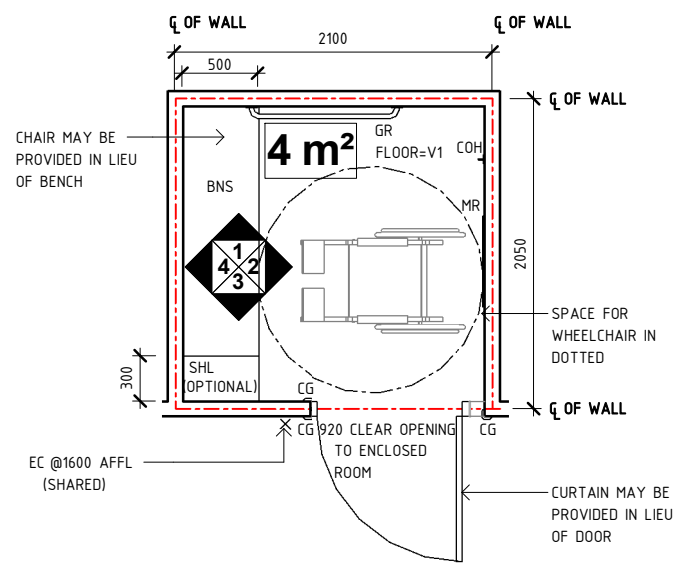
RDS Room Code

chpt-d-i

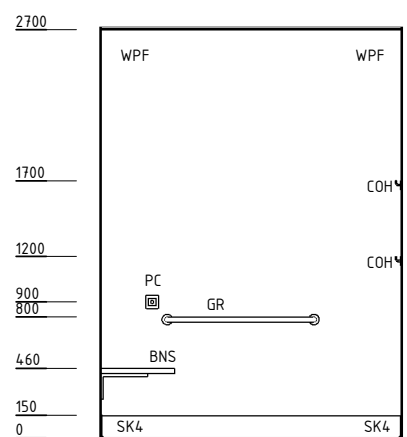
Room Name

Change Cubicle - Accessible

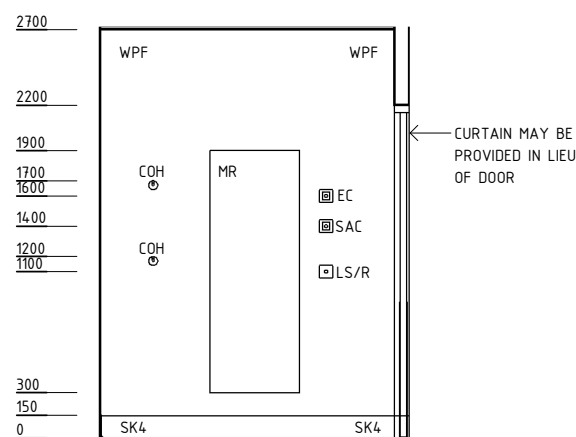
BNS	BENCH SEAT
CG	CORNER GUARD
COH	COAT HOOK
DFP	DOOR AND DOOR FRAME PROTECTION
EC	EMERGENCY CALL
GR	GRAB RAIL
LS/R	LIGHT SWITCH - ROOM
MR	MIRROR
PC	PATIENT CALL
SAC	STAFF ASSIST CALL
SHL	SHELF - LAMINATED
SK4	FLOOR VINYL COVERED SKIRTING
V1	VINYL FLOORING, STANDARD SLIP RESISTANT
WPF	WALL PAINT FINISH



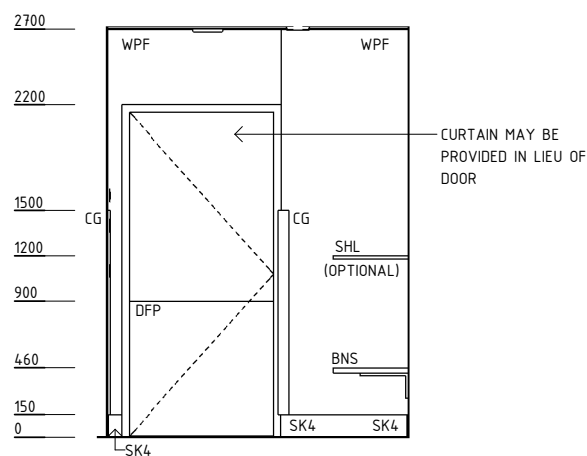
PLAN



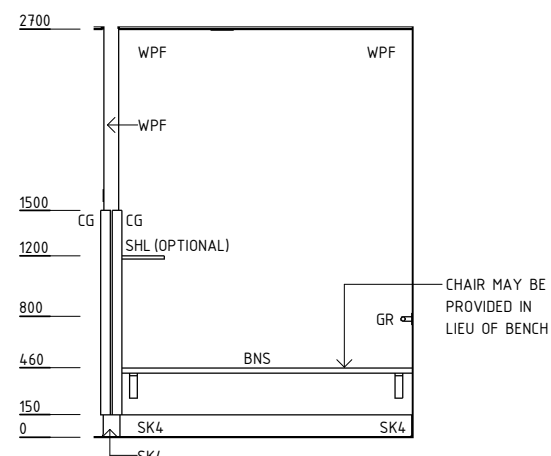
ELEVATION 1



ELEVATION 2



ELEVATION 3



ELEVATION 4

REV	DESCRIPTION	DATE	BY	REV	DESCRIPTION	DATE	BY	COMPATIBILITY
1	FIRST ISSUE	02.10.15	ASD					
2	GENERAL REVISION	27.01.23	AM					

iHFG Standard Components

Room Layout Sheet

RLS Room Code

chpt-d-i

RDS Room Code

chpt-d-i

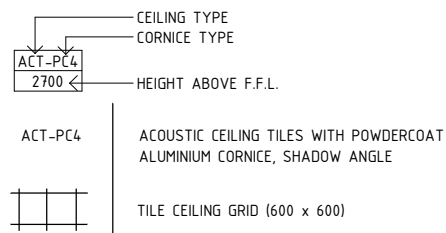
Room Name | **Change Cubicle - Accessible**

GENERAL NOTES:

THIS DRAWING TO BE READ IN CONJUNCTION WITH R.D.S. (ROOM DATA SHEETS) WHICH TAKES PRECEDENCE.

ALL SERVICES INDICATED ARE INDICATIVE AND SUBJECT TO DETAILED PROJECT SPECIFIC ENGINEERING DESIGN.

CEILING LEGEND:



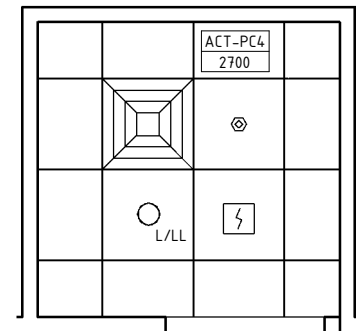
ELECTRICAL LEGEND:



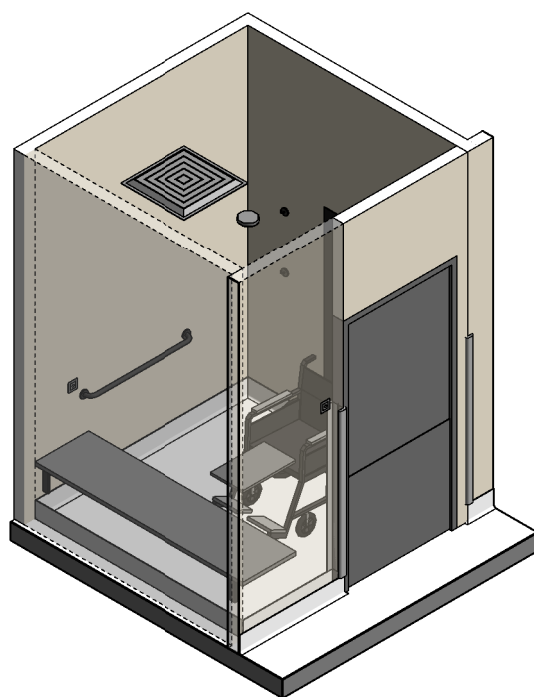
MECHANICAL LEGEND:



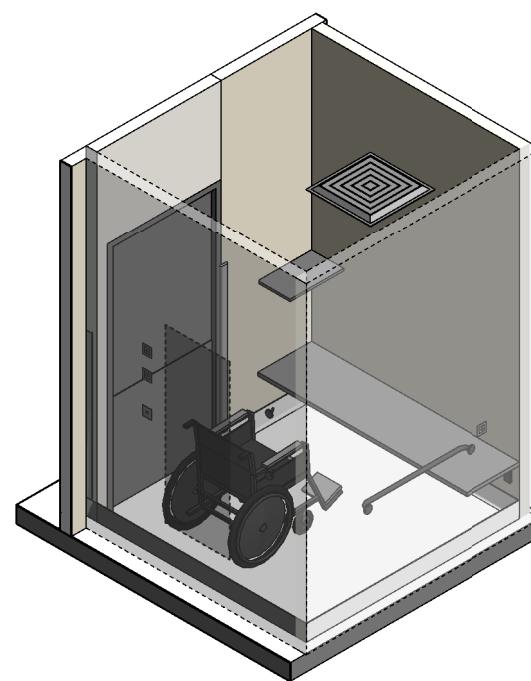
FIRE SERVICES LEGEND:



REFLECTED CEILING PLAN



ISOMETRIC VIEW 01



ISOMETRIC VIEW 02

REV	DESCRIPTION	DATE	BY	REV	DESCRIPTION	DATE	BY	COMPATIBILITY
1	FIRST ISSUE	02.10.15	ASD					iHFG
2	GENERAL REVISION	27.01.23	AM					