

# iHFG Standard Components

## Room Layout Sheet

RLS Room Code

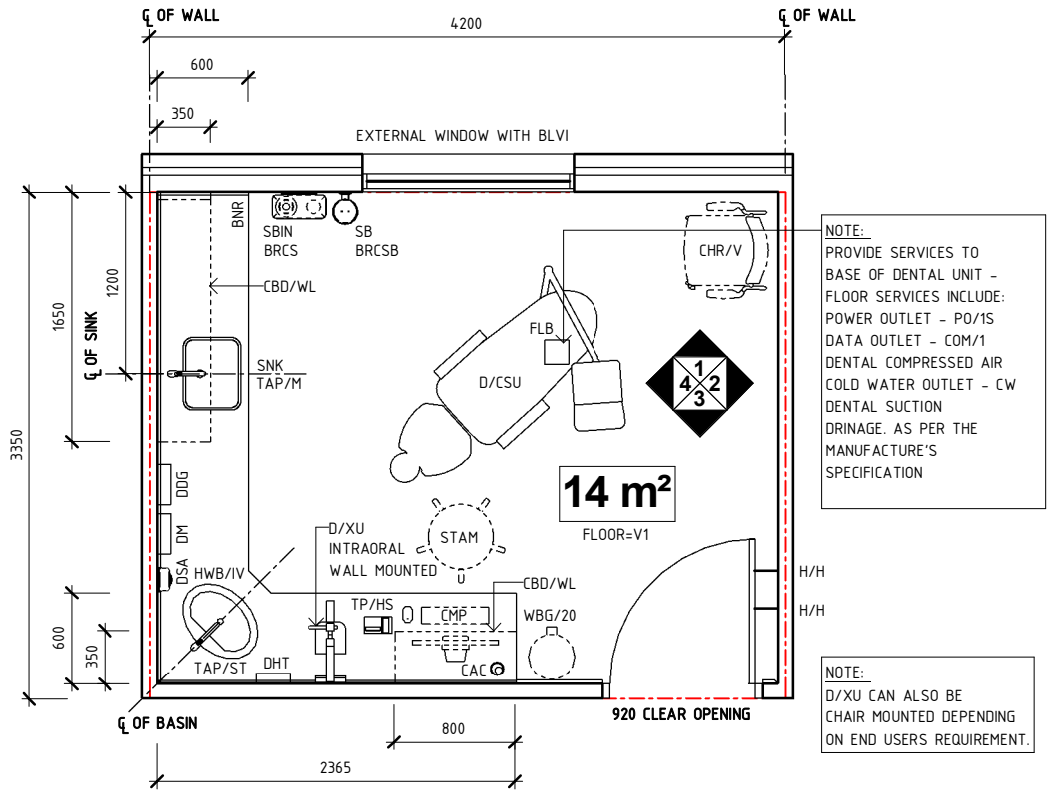
densr-14-i

Room Name **Dental Surgery, 14m2**

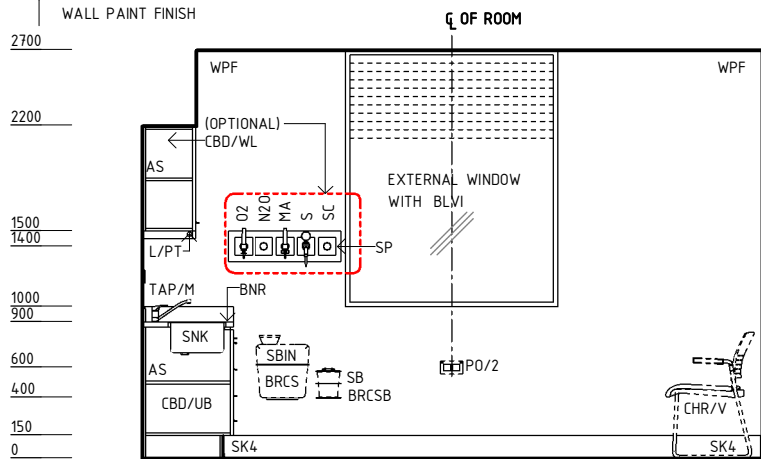
RDS Room Code

densr-14-i

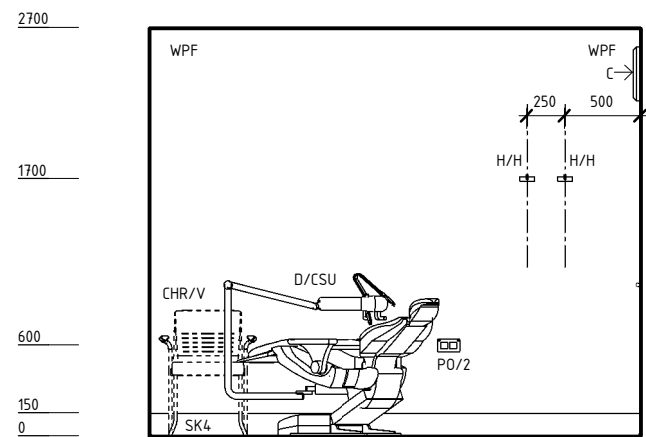
- AS ADJUSTABLE SHELF
- BH/PB BULKHEAD - PLASTERBOARD, PAINT FINISH
- BLVI BLIND - VENETIAN, INTEGRAL
- BNR BENCH - RESINATE
- BRCS BRACKET - SHARPS
- BRCSB BRACKET - SUCTION BOTTLE
- C CLOCK
- CAC CABLE ACCESS CAP
- CBD/D CUPBOARD - DRAWER UNIT
- CBD/UB CUPBOARD - UNDER BENCH
- CBD/WL CUPBOARD - WALL MOUNTED, LOCKABLE
- CHR/V CHAIR - VISITOR
- CMP COMPUTER
- COM/1 COMMUNICATION OUTLET - SINGLE
- COM/2 COMMUNICATION OUTLET - DOUBLE
- D/CSU DENTAL - CHAIR SERVICE UNIT
- D/XU DENTAL - X-RAY UNIT
- DDG DISPENSER - DISPOSABLE GLOVES
- DFP DOOR AND DOOR FRAME PROTECTION
- DHT DISPENSER - PAPER HAND TOWEL
- DM DISPENSER - MASK
- DSA DISPENSER - SOAP, ANTISEPTIC
- EC EMERGENCY CALL
- FLB FLOOR BOX
- H/H HOOK - HEAVY DUTY
- HWB/IV HAND WASH BASIN - INTEGRAL VANITY
- L/PT LIGHT - PELMET TASK LIGHT
- LS/P LIGHT SWITCH - PELMET TASK LIGHT
- LS/R LIGHT SWITCH - ROOM
- MA MEDICAL AIR
- N2O NITROUS OXIDE
- O2 OXYGEN
- OP OBSERVATION PANEL
- PO/1E POWER OUTLET - EMERGENCY, SINGLE
- PO/2 POWER OUTLET - DOUBLE
- PO/C POWER OUTLET - CLEANER'S
- S SUCTION
- SB SUCTION BOTTLE
- SBIN SHARPS BIN
- SBK SPLASHBACK
- SC SCAVENGE OUTLET
- SG SAFETY GLASS
- SK4 FLOOR VINYL COVED SKIRTING
- SNK SINK, STAINLESS STEEL
- SP SERVICES PANEL
- STAM STOOL - ADJUSTABLE, MOBILE
- T/DT TROLLEY - DENTIST'S
- TAP/M TAPWARE - MIXER
- TAP/ST TAPWARE - SENSOR TAP
- TP/HS TELEPHONE - HANDSET, STANDARD
- V1 VINYL FLOORING, STANDARD SLIP RESISTANT
- WBC/20 WASTE BIN - CLINICAL, 20 LITRE
- WBG/20 WASTE BIN - GENERAL, 20 LITRE
- WPF WALL PAINT FINISH



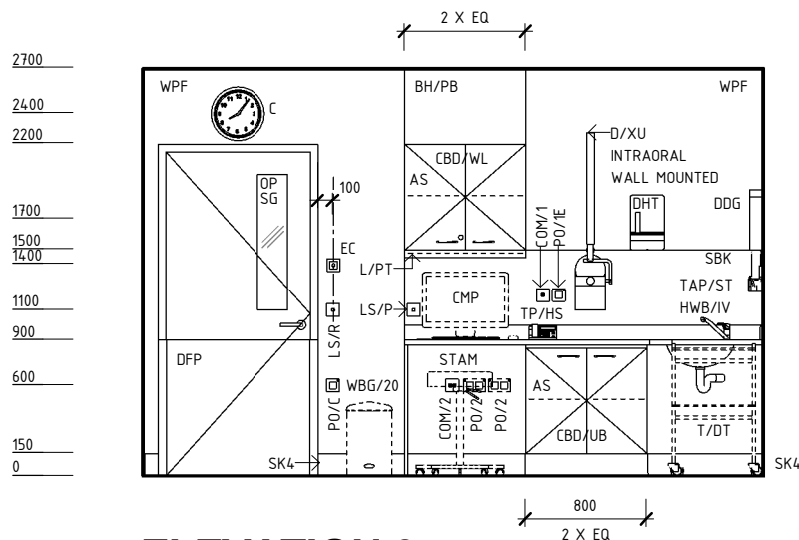
**PLAN**



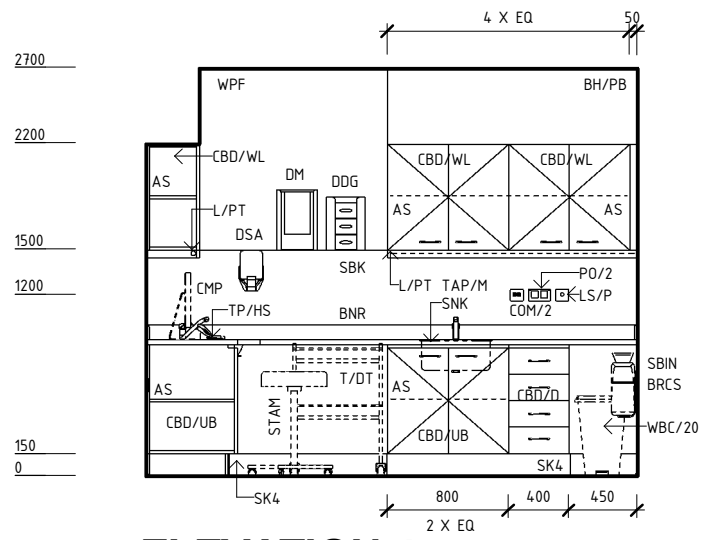
**ELEVATION 1**



**ELEVATION 2**



**ELEVATION 3**



**ELEVATION 4**

REV	DESCRIPTION	DATE	BY	REV	DESCRIPTION	DATE	BY	COMPATIBILITY
1	FIRST ISSUE	24.10.10	CC	4	GENERAL REVISION	09.09.22	BV	
2	GENERAL REVISION	30.08.11	MT					iHFG
3	GENERAL REVISION	31.10.12	KC					

# iHFG Standard Components

## Room Layout Sheet

RLS Room Code

densr-14-i

RDS Room Code

densr-14-i

Room Name **Dental Surgery, 14m2**

### GENERAL NOTES:

THIS DRAWING TO BE READ IN CONJUNCTION WITH R.D.S. (ROOM DATA SHEETS) WHICH TAKES PRECEDENCE.

ALL SERVICES INDICATED ARE INDICATIVE AND SUBJECT TO DETAILED PROJECT SPECIFIC ENGINEERING DESIGN.

### CEILING LEGEND:

	CEILING TYPE CORNICE TYPE HEIGHT ABOVE F.F.L.
BH/PB	PLASTERBOARD BULKHEAD, PAINT FINISH
PB-PC4	PLASTERBOARD FLUSH SET CEILING, PAINT FINISH WITH POWDERCOAT ALUMINIUM CORNICE, SHADOW LINE
	GRID LINE

### ELECTRICAL LEGEND:

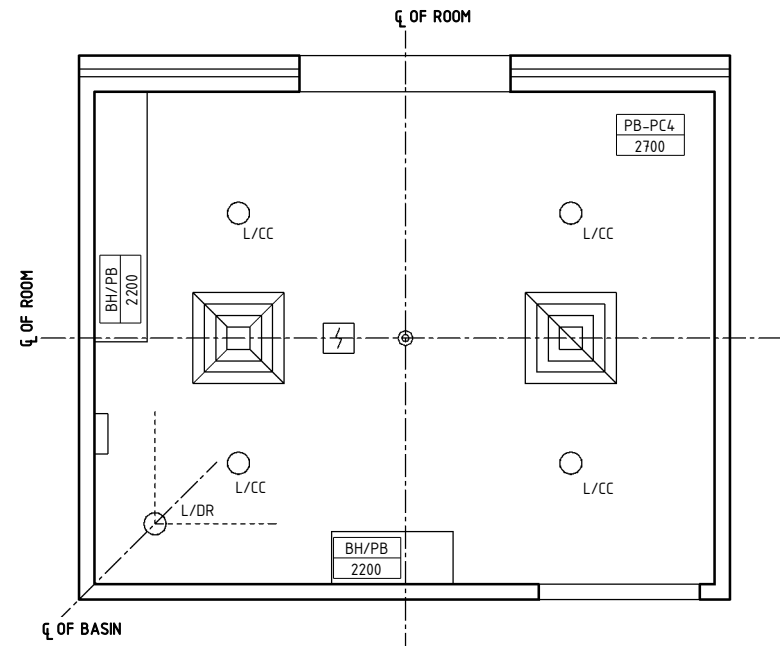
	LIGHT - COLOUR CORRECTED
	LIGHT - DOWNLIGHT, RECESSED

### MECHANICAL LEGEND:

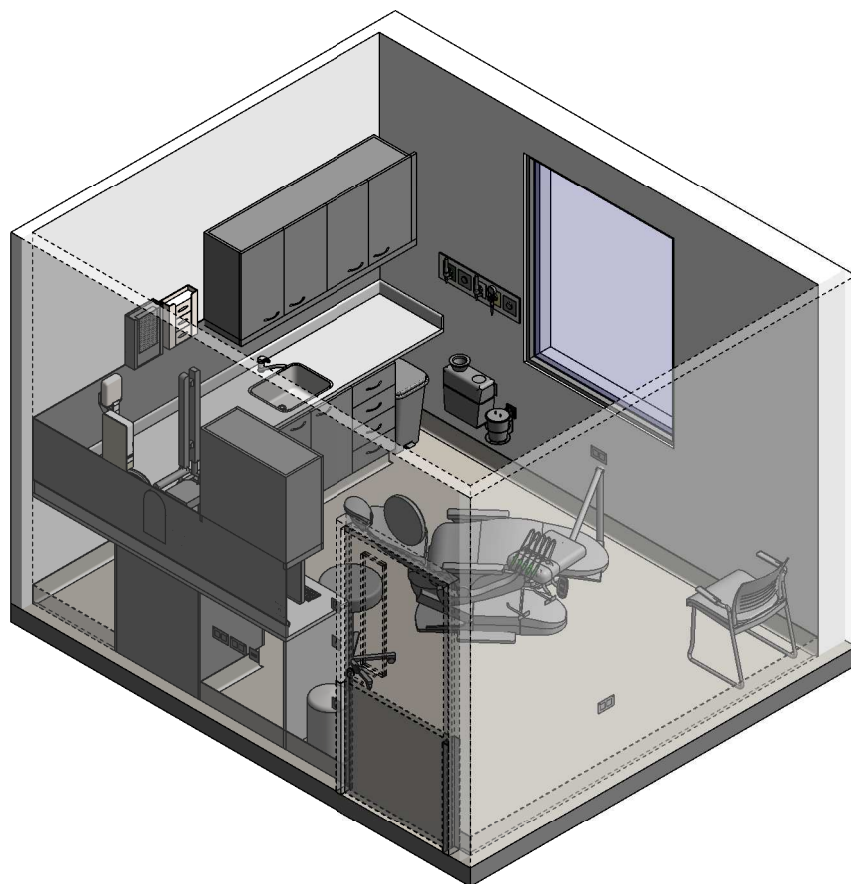
	SUPPLY AIR GRILLE
	RETURN AIR GRILLE

### FIRE SERVICES LEGEND:

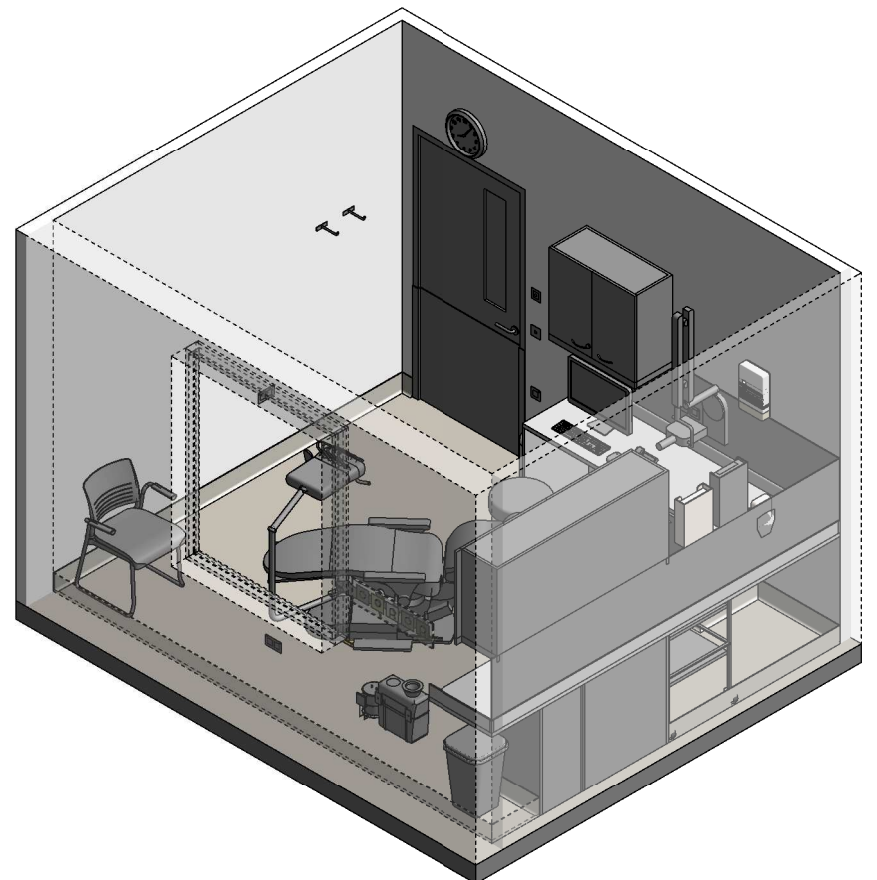
	SMOKE DETECTOR
	SPRINKLER



**REFLECTED CEILING PLAN**



**ISOMETRIC VIEW 01**



**ISOMETRIC VIEW 02**

REV	DESCRIPTION	DATE	BY	REV	DESCRIPTION	DATE	BY	COMPATIBILITY																				
1	FIRST ISSUE	24.10.10	CC	4	GENERAL REVISION	09.09.22	BV	iHFG																				
2	GENERAL REVISION	30.08.11	MT																									
3	GENERAL REVISION	31.10.12	KC																									
<table border="1"> <tr> <td>DESIGNED</td> <td>APPROVED</td> <td>DATE</td> <td>SCALE(S)</td> <td>SHEET</td> </tr> <tr> <td>BV</td> <td>SA</td> <td>09.09.22</td> <td>1 : 50</td> <td>2 OF 2</td> </tr> <tr> <td colspan="2">REVIT FILE NAME</td> <td colspan="2">PAPER DRAWING ID</td> <td>ISSUE</td> </tr> <tr> <td colspan="2">densr-14-i</td> <td colspan="2">densr-14-i-2</td> <td>4</td> </tr> </table>								DESIGNED	APPROVED	DATE	SCALE(S)	SHEET	BV	SA	09.09.22	1 : 50	2 OF 2	REVIT FILE NAME		PAPER DRAWING ID		ISSUE	densr-14-i		densr-14-i-2		4	
DESIGNED	APPROVED	DATE	SCALE(S)	SHEET																								
BV	SA	09.09.22	1 : 50	2 OF 2																								
REVIT FILE NAME		PAPER DRAWING ID		ISSUE																								
densr-14-i		densr-14-i-2		4																								