

iHFG Standard Components

Room Layout Sheet

RLS Room Code

densr-16-i

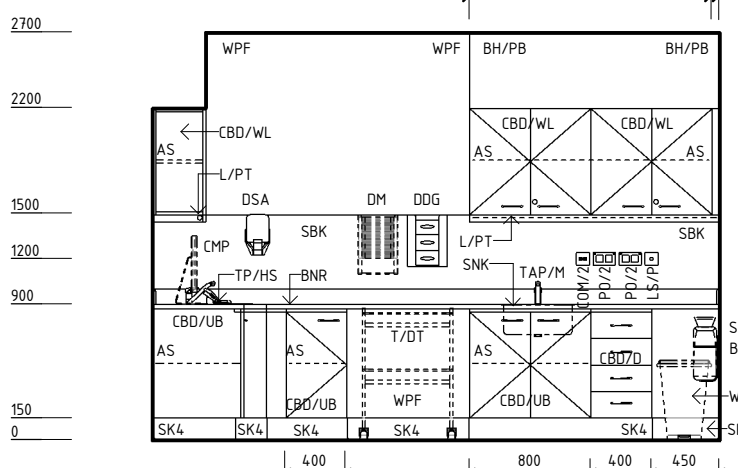
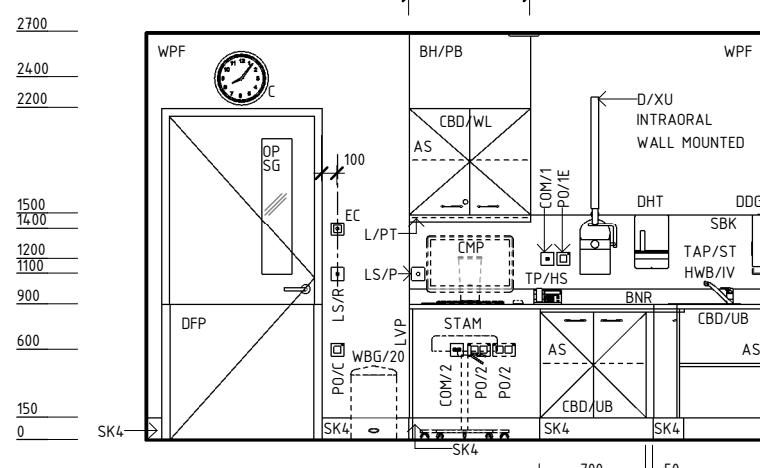
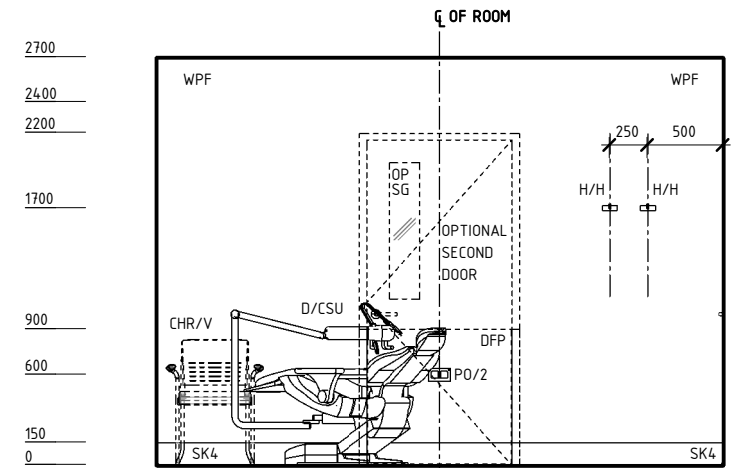
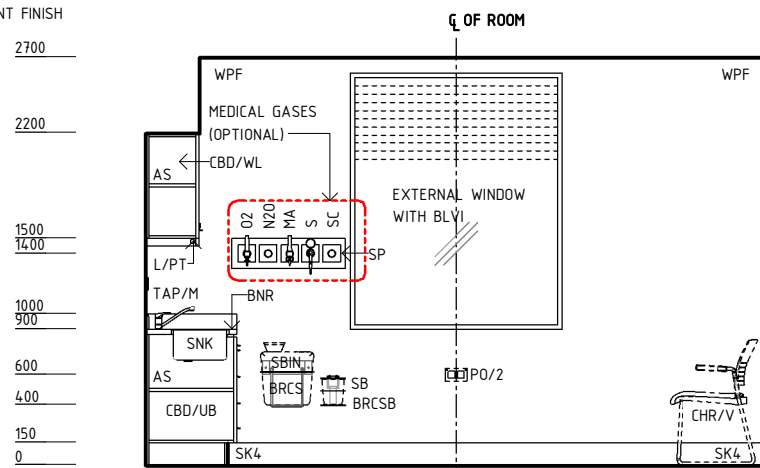
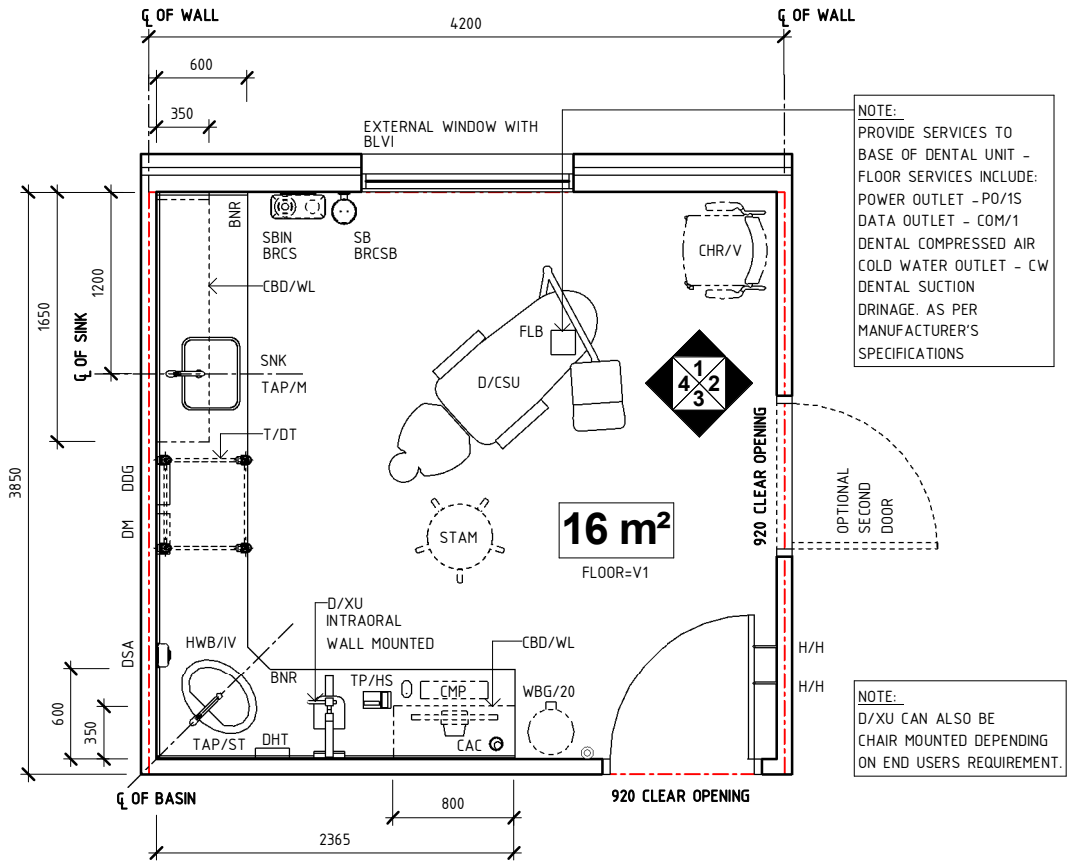
RDS Room Code

densr-16-i

Room Name

Dental Surgery, 16m2

AS	ADJUSTABLE SHELF
BH/PB	BULKHEAD - PLASTERBOARD, PAINT FINISH
BLVI	BLIND - VENETIAN, INTEGRAL
BNR	BENCH - RESINATE
BRCS	BRACKET - SHARPS
BRCSB	BRACKET - SUCTION BOTTLE
C	CLOCK
CAC	CABLE ACCESS CAP
CBD/D	CUPBOARD - DRAWER UNIT
CBD/UB	CUPBOARD - UNDER BENCH
CBD/WL	CUPBOARD - WALL MOUNTED, LOCKABLE
CHR/V	CHAIR - VISITOR
CMP	COMPUTER
COM/1	COMMUNICATION OUTLET - SINGLE
COM/2	COMMUNICATION OUTLET - DOUBLE
D/CSU	DENTAL - CHAIR SERVICE UNIT
D/XU	DENTAL - X-RAY UNIT
DDG	DISPENSER - DISPOSABLE GLOVES
DFP	DOOR AND DOOR FRAME PROTECTION
DHT	DISPENSER - PAPER HAND TOWEL
DM	DISPENSER - MASK
DSA	DISPENSER - SOAP, ANTISEPTIC
EC	EMERGENCY CALL
FLB	FLOOR BOX
H/H	HOOK - HEAVY DUTY
HWB/IV	HAND WASH BASIN - INTEGRAL VANITY
L/PT	LIGHT - PELMET TASK LIGHT
LS/P	LIGHT SWITCH - PELMET TASK LIGHT
LS/R	LIGHT SWITCH - ROOM
LVP	LAMINATE VERTICAL SUPPORT PANEL
MA	MEDICAL AIR
N2O	NITROUS OXIDE
O2	OXYGEN
OP	OBSERVATION PANEL
PO/1E	POWER OUTLET - EMERGENCY, SINGLE
PO/1S	POWER OUTLET - SPECIAL
PO/2	POWER OUTLET - DOUBLE
PO/C	POWER OUTLET - CLEANER'S
S	SUCTION
SB	SUCTION BOTTLE
SBIN	SHARPS BIN
SBK	SPLASHBACK
SC	SCAVENGE OUTLET
SG	SAFETY GLASS
SK4	FLOOR VINYL COVERED SKIRTING
SNK	SINK, STAINLESS STEEL
SP	SERVICES PANEL
STAM	STOOL - ADJUSTABLE, MOBILE
T/DT	TROLLEY - DENTIST'S
TAP/M	TAPWARE - MIXER
TAP/ST	TAPWARE - SENSOR TAP
TP/HS	TELEPHONE - HANDSET, STANDARD
V1	VINYL FLOORING, STANDARD SLIP RESISTANT
WBC/20	WASTE BIN - CLINICAL, 20 LITRE
WBG/20	WASTE BIN - GENERAL, 20 LITRE
WPF	WALL PAINT FINISH



REV	DESCRIPTION	DATE	BY	REV	DESCRIPTION	DATE	BY	COMPATIBILITY
1	FIRST ISSUE	24.10.10	LL	4	GENERAL REVISION	09.09.22	BV	
2	GENERAL REVISION	30.08.11	MT					iHFG
3	GENERAL REVISION	31.10.12	KC					



International Health Facility Guidelines at:
www.healthdesign.com.au/iHFG
Editable version of Standard Components on
Health Facility Briefing System (HFBS) at:
www.healthdesign.com.au ©TAHPI



DESIGNED	APPROVED	DATE	SCALE(S)	SHEET
BV	RH	09.09.22	1 : 50	1 OF 2
REVIT FILE NAME		PAPER DRAWING ID		ISSUE
densr-16-i		densr-16-i-1		4

This document is for advisory purpose only

iHFG Standard Components

Room Layout Sheet

RLS Room Code

densr-16-i

RDS Room Code

densr-16-i

Room Name

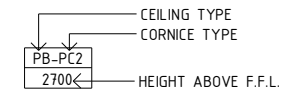
Dental Surgery, 16m2

GENERAL NOTES:

THIS DRAWING TO BE READ IN CONJUNCTION WITH R.D.S. (ROOM DATA SHEETS) WHICH TAKES PRECEDENCE.

ALL SERVICES INDICATED ARE INDICATIVE AND SUBJECT TO DETAILED PROJECT SPECIFIC ENGINEERING DESIGN.

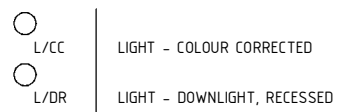
CEILING LEGEND:



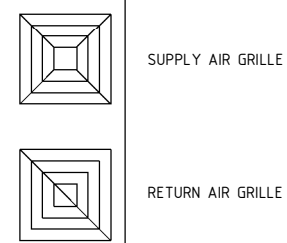
BH/PB PLASTERBOARD BULKHEAD, PAINT FINISH
PB-PC4 PLASTERBOARD FLUSH SET CEILING, PAINT FINISH WITH POWDERCOAT ALUMINIUM CORNICE, SHADOW ANGLE

--- GRID LINE

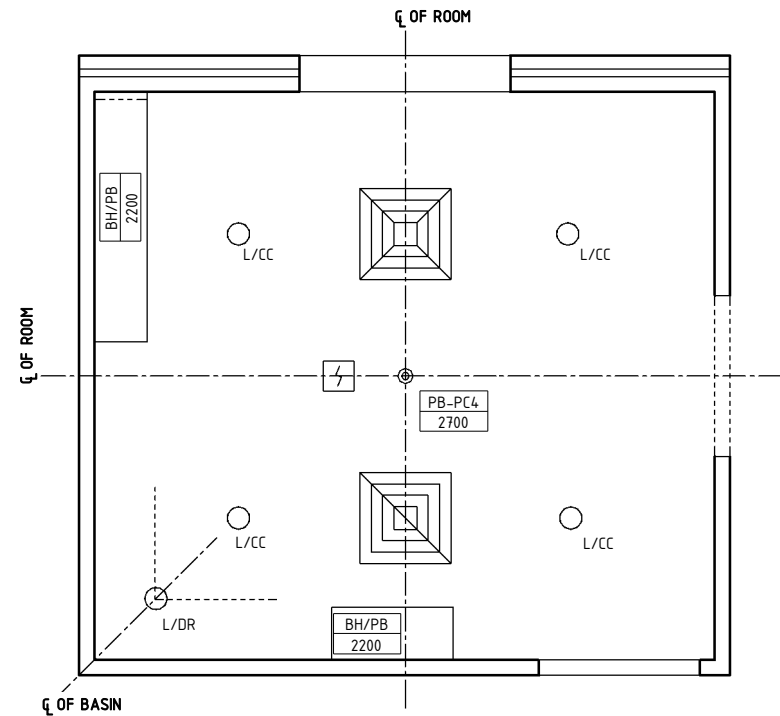
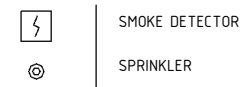
ELECTRICAL LEGEND:



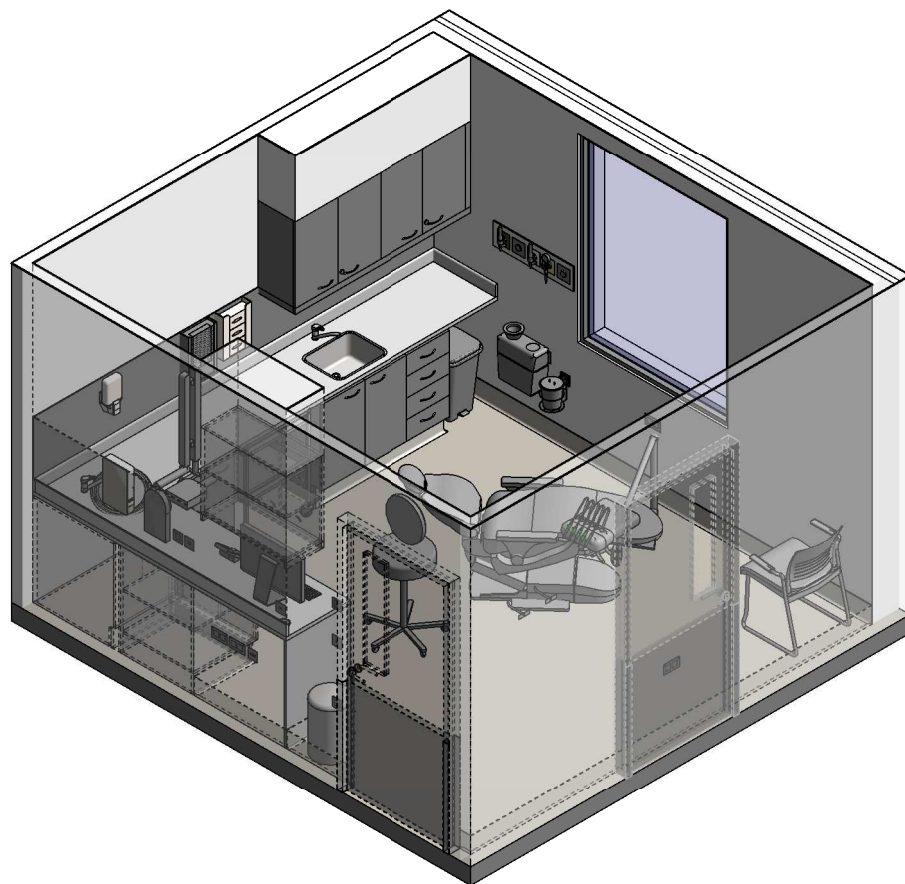
MECHANICAL LEGEND:



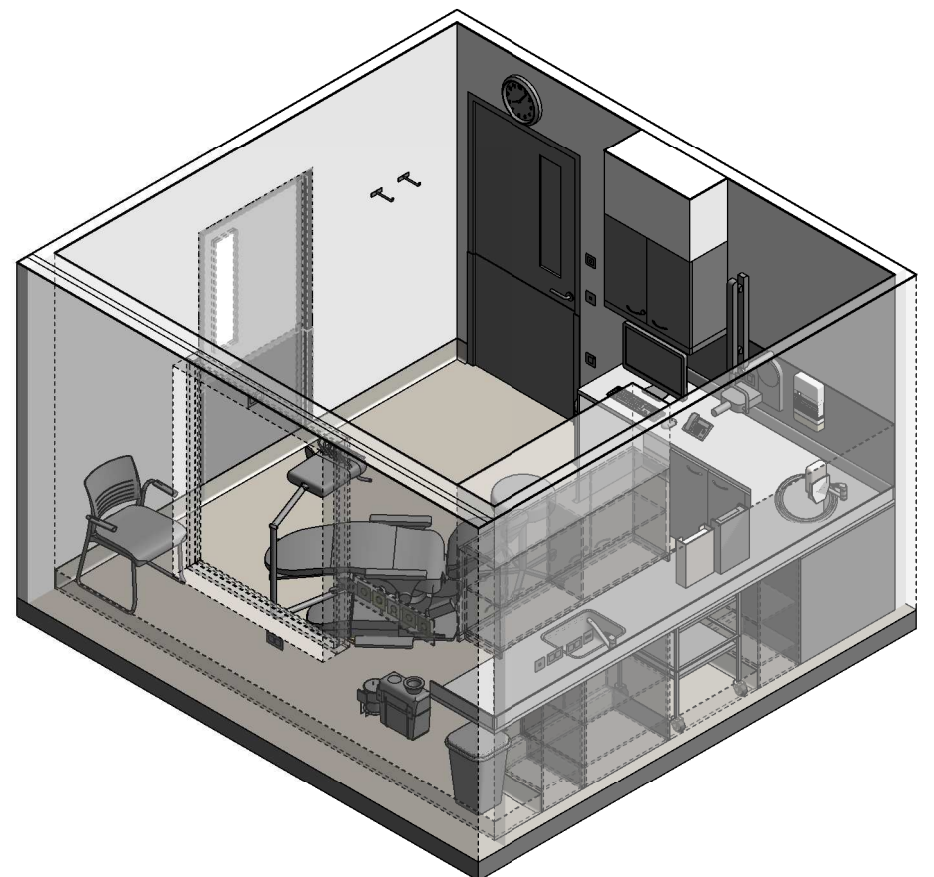
FIRE SERVICES LEGEND:



REFLECTED CEILING PLAN



ISOMETRIC VIEW 1



ISOMETRIC VIEW 2

REV	DESCRIPTION	DATE	BY	REV	DESCRIPTION	DATE	BY	COMPATIBILITY				
1	FIRST ISSUE	24.10.10	LL	4	GENERAL REVISION	09.09.22	BV	iHFG				
2	GENERAL REVISION	30.08.11	MT									
3	GENERAL REVISION	31.10.12	KC									
								DESIGNED	APPROVED	DATE	SCALE(S)	SHEET
								BV	RH	09.09.22	1 : 50	2 OF 2
								REVIT FILE NAME		PAPER DRAWING ID		ISSUE
								densr-16-i		densr-16-i-2		4