

iHFG Standard Components

Room Layout Sheet

Room Name **Dirty Utility, 14m2**

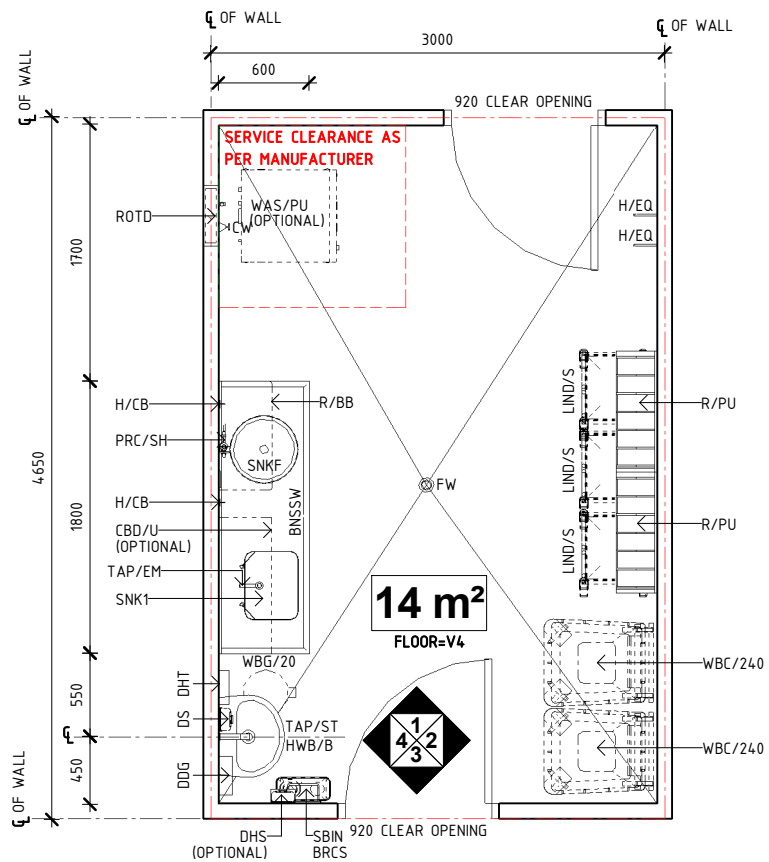
RLS Room Code

dtur-14-i

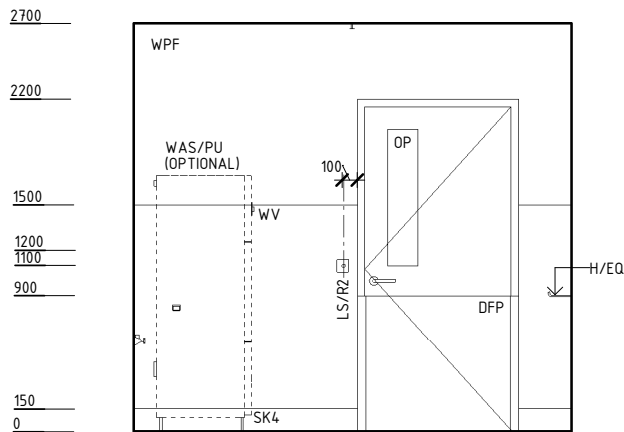
RDS Room Code

dtur-14-i

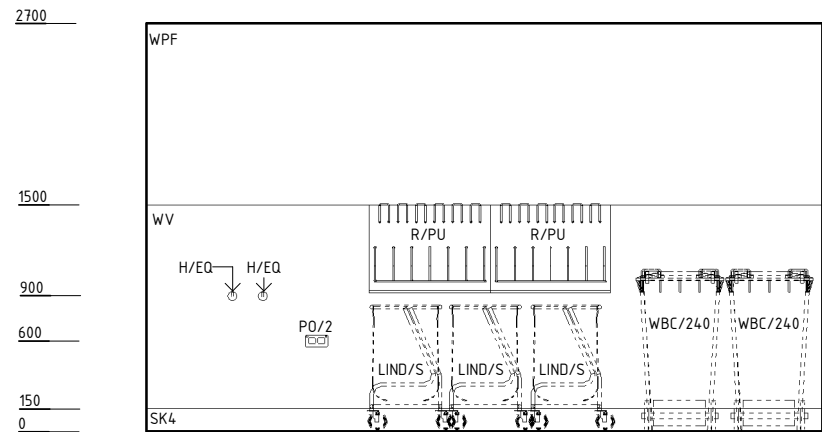
- AS ADJUSTABLE SHELF
- BH/PB BULKHEAD - PLASTERBOARD, PAINT FINISH
- BNSSW BENCH - STAINLESS STEEL, WET EDGE
- BRCS BRACKET - SHARPS
- CBD/U CUPBOARD - URINALYSIS
- CON/C CONTAINER - COVERED
- CW COLD WATER OUTLET
- DDG DISPENSER - DISPOSABLE GLOVES
- DFP DOOR AND DOOR FRAME PROTECTION
- DHS DISPENSER - HAND SANITISER
- DHT DISPENSER - PAPER HAND TOWEL
- DS DISPENSER - SOAP
- FB FLUSH BUTTON
- FW FLOOR WASTE
- H/CB HOOK - FOR CATHETER BAG
- H/EQ HOOK - EQUIPMENT
- HWB/B HAND WASH BASIN - TYPE 'B'
- LIND/S LINEN CARRIER - DIRTY, SINGLE
- LS/R2 LIGHT SWITCH - ROOM, 2 WAY
- OP OBSERVATION PANEL
- PO/1 POWER OUTLET - SINGLE
- PO/2 POWER OUTLET - DOUBLE
- PO/S-3PH POWER OUTLET - SPECIAL, 3 PHASE
- PRC/SH PRESSURE CONTROL - SPRAY HOSE
- R/BB RACK - BOWL / BASIN
- R/PU RACK - PAN & URINALS
- RO REVERSE OSMOSIS
- ROTD REVERSE OSMOSIS WATER OUTLET & TUNDISH DRAIN
- SBIN SHARPS BIN
- SHSSU SHELF - STAINLESS STEEL, UNDER BENCH
- SK4 FLOOR VINYL COVERED SKIRTING
- SNK1 SINK - 450x350x250D
- SNKF SINK - FLUSHING RIM
- TAP/EM TAPWARE - ELBOW MIXER
- TAP/ST TAPWARE - SENSOR TAP
- V4 VINYL FLOORING, NON SLIP - SAFETY
- WAS/PU WASHER SANITISER - PAN & UTENSIL COMBINED
- WBC/240 WASTE BIN - CLINICAL, 240 LITRE
- WBG/20 WASTE BIN - GENERAL, 20 LITRE
- WPF WALL PAINT FINISH
- WV WALL VINYL



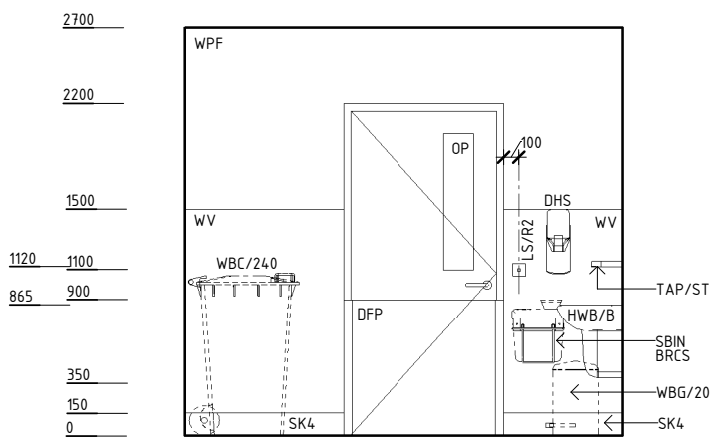
PLAN



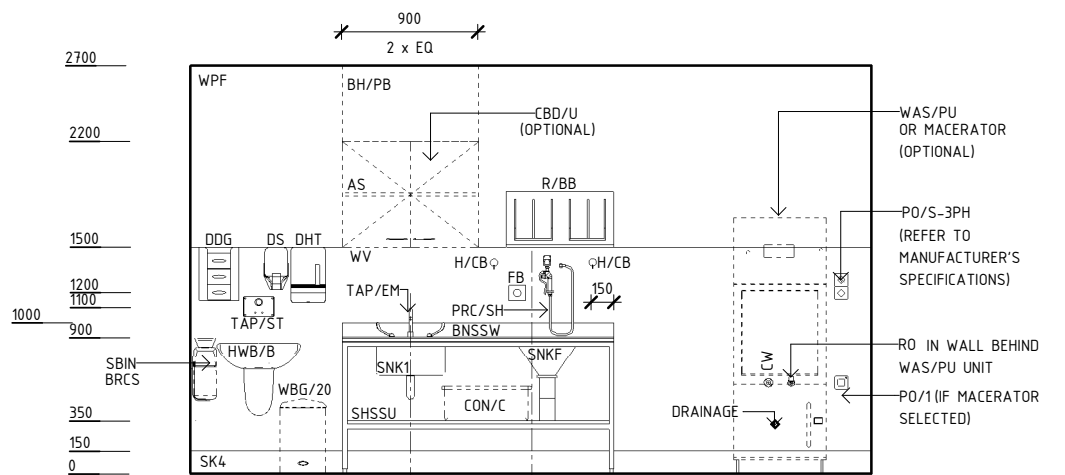
ELEVATION 1



ELEVATION 2



ELEVATION 3



ELEVATION 4

REV	DESCRIPTION	DATE	BY	REV	DESCRIPTION	DATE	BY	COMPATIBILITY
1	FIRST ISSUE	15.10.13	CT					
2	GENERAL REVISION	31.08.22	RA					



International Health Facility Guidelines at:
www.healthdesign.com.au/iHFG
 Editable version of Standard Components on
 Health Facility Briefing System (HFBS) at:
www.healthdesign.com.au ©TAHPI



DESIGNED	APPROVED	DATE	SCALE(S)	SHEET
RA	RH	31.08.22	1 : 50	1 OF 3
REVIT FILE NAME		PAPER DRAWING ID		ISSUE
dtur-14-i		dtur-14-i-1		2

iHFG Standard Components

Room Layout Sheet

RLS Room Code

dtur-14-i

RDS Room Code

dtur-14-i

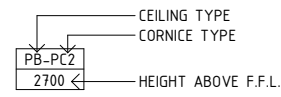
Room Name **Dirty Utility, 14m2**

GENERAL NOTES:

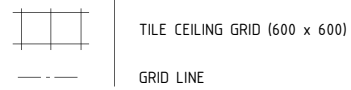
THIS DRAWING TO BE READ IN CONJUNCTION WITH R.D.S. (ROOM DATA SHEETS) WHICH TAKES PRECEDENCE.

ALL SERVICES INDICATED ARE INDICATIVE AND SUBJECTED TO DETAILED PROJECT SPECIFIC ENGINEERING DESIGN.

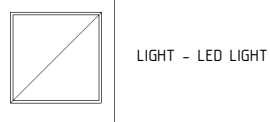
CEILING LEGEND:



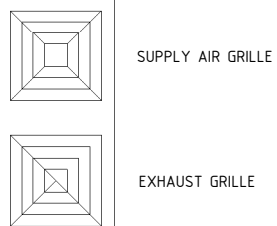
BH/PB PLASTERBOARD BULKHEAD, PAINT FINISH
WPT-PC4 WATER RESISTANT, DROP IN TILES WITH POWDERCOAT ALUMINIUM CORNICE, SHADOW ANGLE 24mm



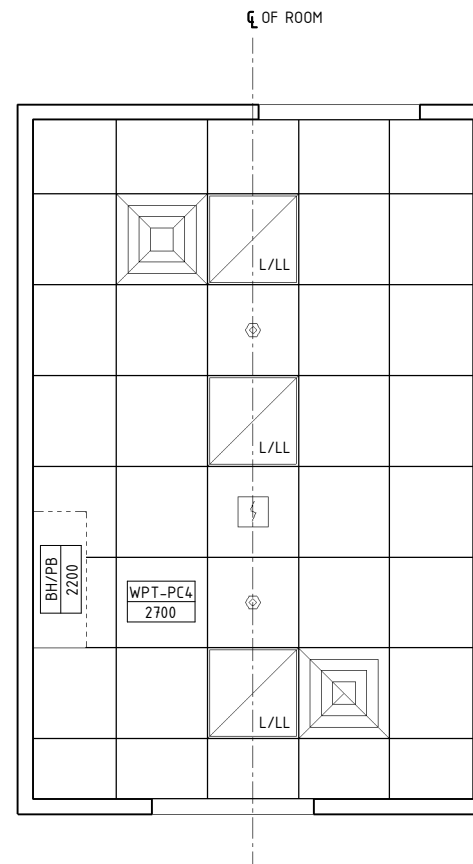
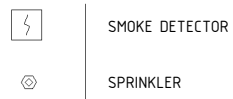
ELECTRICAL LEGEND:



MECHANICAL LEGEND:



FIRE SERVICES LEGEND:



REFLECTED CEILING PLAN

REV	DESCRIPTION	DATE	BY	REV	DESCRIPTION	DATE	BY	COMPATIBILITY
1	FIRST ISSUE	15.10.13	CT					iHFG
2	GENERAL REVISION	31.08.22	RA					

DESIGNED	APPROVED	DATE	SCALE(S)	SHEET
RA	RH	31.08.22	1 : 50	2 OF 3
REVIT FILE NAME		PAPER DRAWING ID		ISSUE
dtur-14-i		dtur-14-i-2		2

iHFG Standard Components

Room Layout Sheet

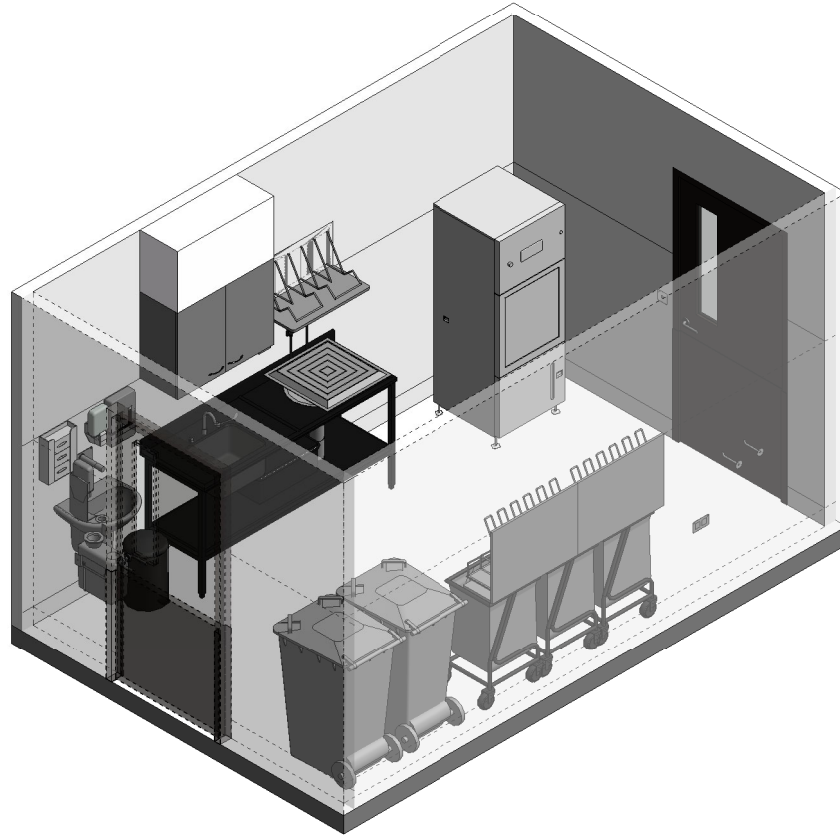
RLS Room Code

dtur-14-i

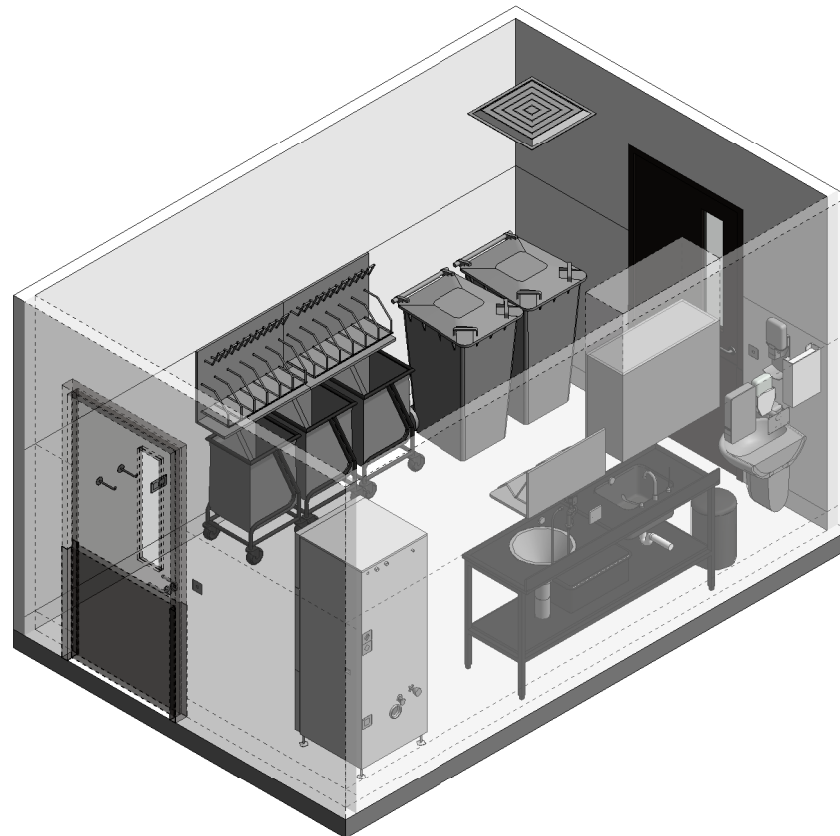
RDS Room Code

dtur-14-i

Room Name | Dirty Utility, 14m2



ISOMETRIC VIEW 01



ISOMETRIC VIEW 02

REV	DESCRIPTION	DATE	BY	REV	DESCRIPTION	DATE	BY	COMPATIBILITY
1	FIRST ISSUE	15.10.13	CT					iHFG
2	GENERAL REVISION	31.08.22	RA					



International Health Facility Guidelines at:
www.healthdesign.com.au/iHFG
 Editable version of Standard Components on
 Health Facility Briefing System (HFBS) at:
www.healthdesign.com.au ©TAHPI



DESIGNED	APPROVED	DATE	SCALE(S)	SHEET
RA	RH	31.08.22		3 OF 3
REVIT FILE NAME		PAPER DRAWING ID		ISSUE
dtur-14-i		dtur-14-i-3		2

This document is for advisory purpose only