

iHFG Standard Components

Room Layout Sheet

RLS Room Code

ens-acc-i

RDS Room Code

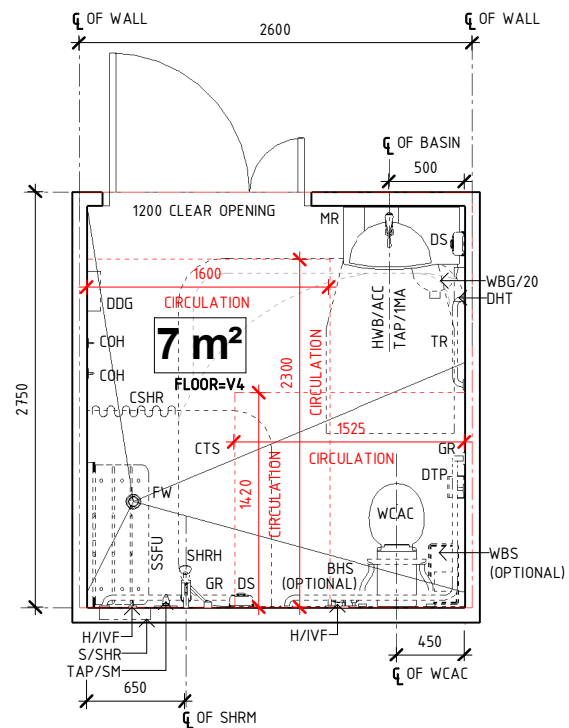
ens-acc-i

Room Name

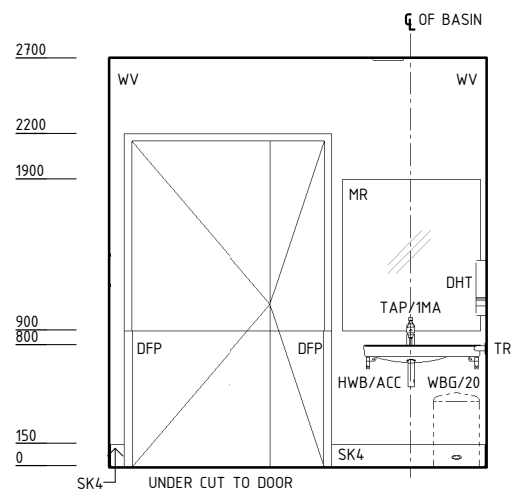
Ensuite - Accessible

BHS	BIDET HANDSET
COH	COAT HOOK
CSHR	CURTAIN TRACK - SHOWER
CTS	CURTAIN TRACK - SHOWER
DDG	DISPENSER - DISPOSABLE GLOVES
DFP	DOOR AND DOOR FRAME PROTECTION
DHT	DISPENSER - PAPER HAND TOWEL
DS	DISPENSER - SOAP
DTP	DISPENSER - TOILET PAPER
EC	EMERGENCY CALL
FW	FLOOR WASTE
GR	GRAB RAIL
H/IVF	HOOK - FOR IV FLASKS
HWB/ACC	HAND WASH BASIN - ACCESSIBLE
MR	MIRROR
PC	PATIENT CALL
PO/1S	POWER OUTLET - SPECIAL
S/SHR	SOAP/ SHAMPOO HOLDER - RECESSED
SAC	STAFF ASSIST CALL
SHRH	SHOWER - HAND HELD SHOWER HEAD
SK4	FLOOR VINYL COVERED SKIRTING
SSFU	SHOWER SEAT - FOLD UP
TAP/1MA	TAPWARE - SINGLE MIXER, ACCESSIBLE
TAP/SM	TAPWARE - SHOWER MIXER
TR	TOWEL RAIL
V4	VINYL FLOORING, NON SLIP - SAFETY
WBG/20	WASTE BIN - GENERAL, 20 LITRE
WBS	WASTE BIN - SANITARY
WCAC	WATER CLOSET - ACCESSIBLE
WV	WALL VINYL

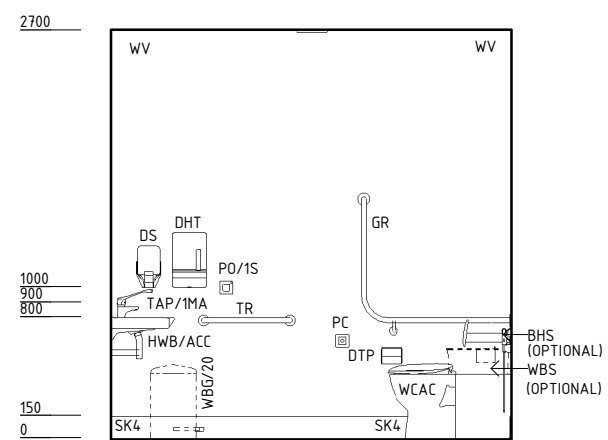
- NOTES:
- ROOM MUST COMPLY WITH LOCAL AUTHORITY REQUIREMENTS.
 - SLIDING DOOR ACCEPTABLE.
 - GRAB RAIL AT WALL REQUIRED IF SSFU NOT PROVIDED.
 - FALLS IN FLOOR IN SHOWER TO BE 1:60, OUTSIDE SHOWER TO BE 1:80 TO 1:100.
 - FOR INDIAN CULTURAL CONDITIONS REQUIRE THE BIDET HOSE TO BE LOCATED FOR RIGHT HAND USE. SHOWER SHOULD BE ON THE RIGHT HAND SIDE OF PAN (REVERSE OF PLAN SHOWN)
 - DIMENSIONS ON FITTINGS SHOULD PROVIDE WORKABLE CONDITIONS HOWEVER USERS SHOULD REFER TO LOCAL STANDARDS TO ENSURE FULL COMPLIANCE.



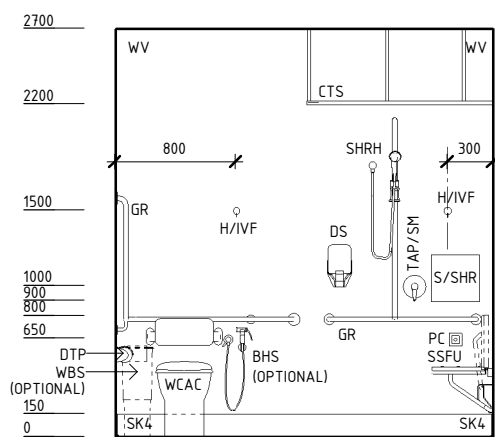
PLAN



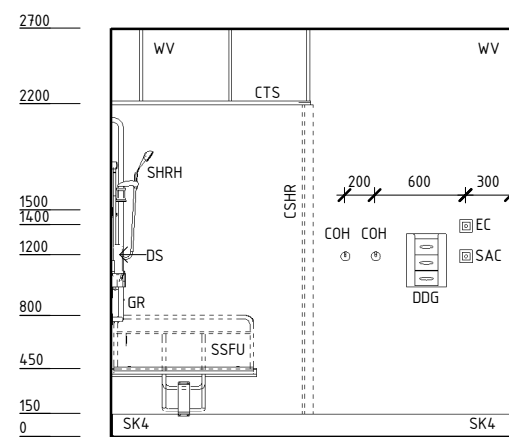
ELEVATION 1



ELEVATION 2



ELEVATION 3



ELEVATION 4

REV	DESCRIPTION	DATE	BY	REV	DESCRIPTION	DATE	BY	COMPATIBILITY
1	FIRST ISSUE	24.10.14	NB					
2	GENERAL REVISION	25.05.23	AM					



International Health Facility Guidelines at:
www.healthdesign.com.au/iHFG
 Editable version of Standard Components on
 Health Facility Briefing System (HFBS) at:
www.healthdesign.com.au ©TAHPI



DESIGNED	APPROVED	DATE	SCALE(S)	SHEET
AM	SA	25.05.23	1 : 50	1 OF 2
REVIT FILE NAME		PAPER DRAWING ID		ISSUE
ens-acc-i		ens-acc-i-1		2

iHFG Standard Components

Room Layout Sheet

RLS Room Code

ens-acc-i

RDS Room Code

ens-acc-i

Room Name

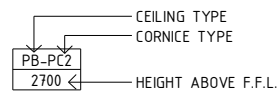
Ensuite - Accessible

GENERAL NOTES:

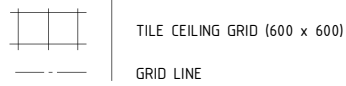
THIS DRAWING TO BE READ IN CONJUNCTION WITH R.D.S. (ROOM DATA SHEETS) WHICH TAKES PRECEDENCE.

ALL SERVICES INDICATED ARE INDICATIVE AND SUBJECT TO DETAILED PROJECT SPECIFIC ENGINEERING DESIGN.

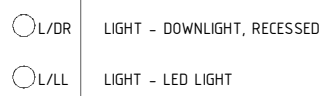
CEILING LEGEND:



WPT-PC4 WATER RESISTANT, DROP IN TILES WITH POWDERCOAT ALUMINIUM CORNICE, SHADOW ANGLE 24mm



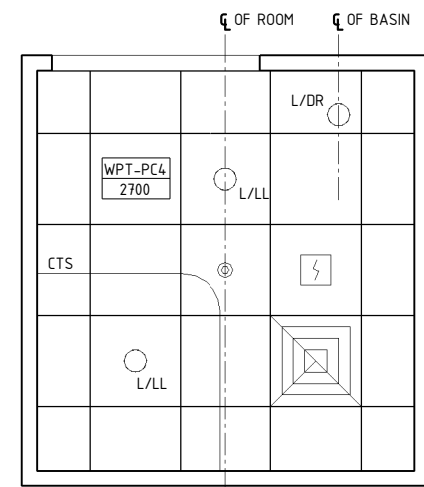
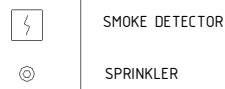
ELECTRICAL LEGEND:



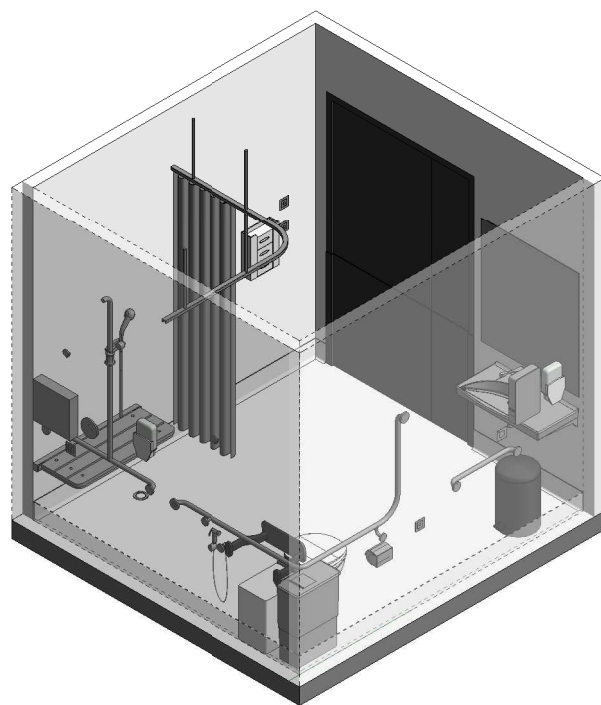
MECHANICAL LEGEND:



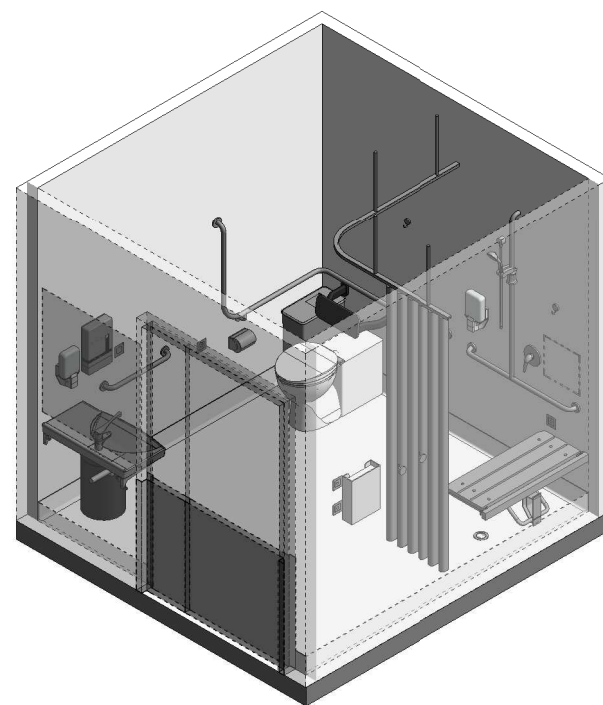
FIRE SERVICES LEGEND:



REFLECTED CEILING PLAN



ISOMETRIC VIEW 1



ISOMETRIC VIEW 2

REV	DESCRIPTION	DATE	BY	REV	DESCRIPTION	DATE	BY	COMPATIBILITY
1	FIRST ISSUE	24.10.14	NB					
2	GENERAL REVISION	25.05.23	AM					



International Health Facility Guidelines at:
www.healthdesign.com.au/iHFG
Editable version of Standard Components on
Health Facility Briefing System (HFBS) at:
www.healthdesign.com.au ©TAHPI



DESIGNED	APPROVED	DATE	SCALE(S)	SHEET
AM	SA	25.05.23	1 : 50	2 OF 2
REVIT FILE NAME		PAPER DRAWING ID		ISSUE
ens-acc-i		ens-acc-i-2		2