

iHFG Standard Components

Room Layout Sheet

RLS Room Code

ens-ba-7-i

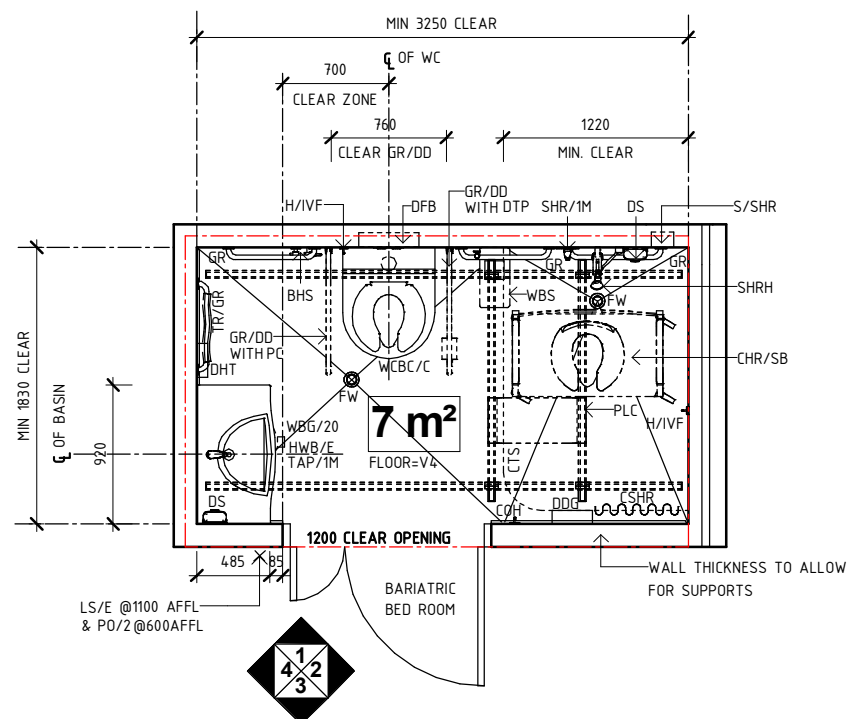
RDS Room Code

ens-ba-7-i

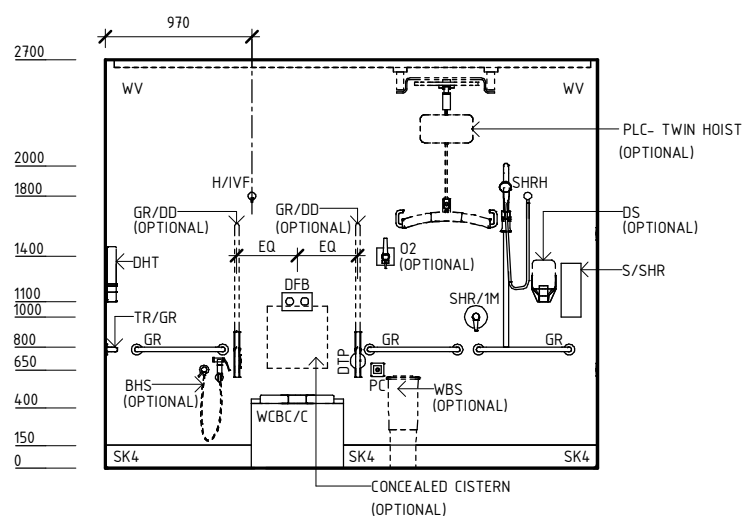
Room Name

Ensuite - Bariatric

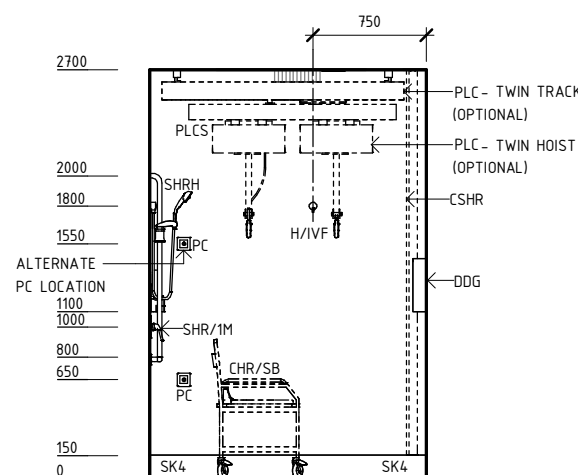
BHS	BIDET HANDSET
CHR/SB	CHAIR - SHOWER, BARIATRIC
COH	COAT HOOK
CSHR	CURTAIN - SHOWER
CTS	CURTAIN TRACK - SHOWER
DDG	DISPENSER - DISPOSABLE GLOVES
DFB	DUAL FLUSH BUTTON
DFP	DOOR AND DOOR FRAME PROTECTION
DHT	DISPENSER - PAPER HAND TOWEL
DS	DISPENSER - SOAP
DTP	DISPENSER - TOILET PAPER
EC	EMERGENCY CALL
FW	FLOOR WASTE
GR	GRAB RAIL
GR/DD	GRAB RAIL - DROP DOWN
H/IVF	HOOK - FOR IV FLASKS
HWB/E	HAND WASH BASIN - ENSUITE
LS/E	LIGHT SWITCH - ENSUITE
MR	MIRROR
O2	OXYGEN
PC	PATIENT CALL
PLC	PATIENT LIFTER - CEILING MOUNTED
PLCS	PATIENT LIFTER - CEILING MOUNTED, SLING
PO/1S	POWER OUTLET - SPECIAL
PO/2	POWER OUTLET - DOUBLE
S/SHR	SOAP/ SHAMPOO HOLDER - RECESSED
SAC	STAFF ASSIST CALL
SHR/1M	SHOWER - SINGLE MIXER
SHRH	SHOWER - HAND HELD SHOWER HEAD
SK4	FLOOR VINYL COVED SKIRTING
TAP/1M	TAPWARE - SINGLE MIXER
TR/GR	TOWEL RAIL, GRAB RAIL
V4	VINYL FLOORING, NON SLIP - SAFETY
WBG/20	WASTE BIN - GENERAL, 20 LITRE
WBS	WASTE BIN - SANITARY
WCBC/C	WATER CLOSET - BARIATRIC, CONCEALED CISTERN
WV	WALL VINYL



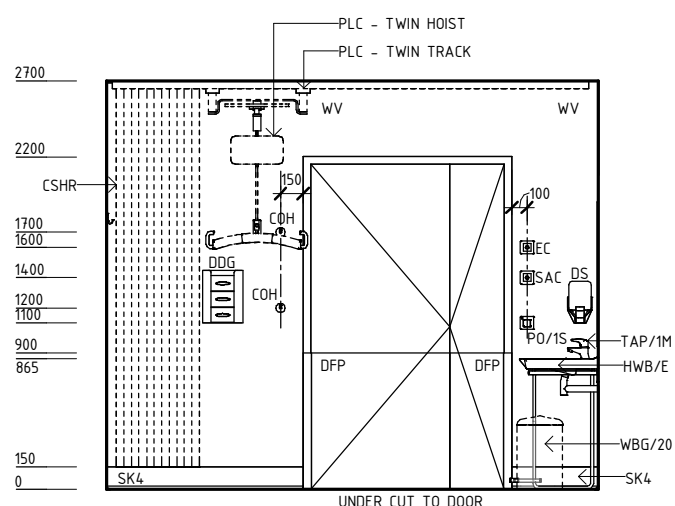
PLAN



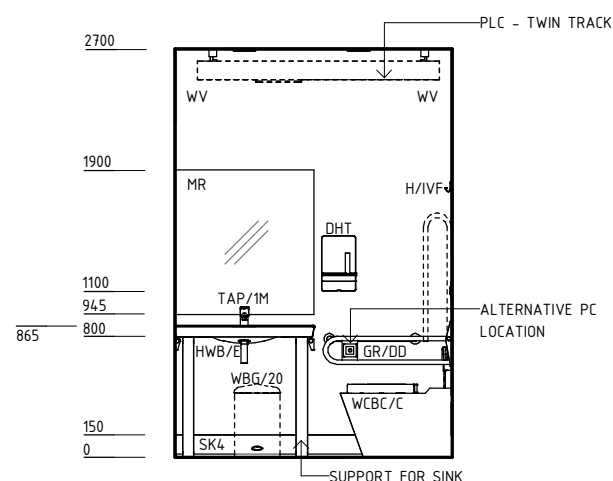
ELEVATION 1



ELEVATION 2



ELEVATION 3



ELEVATION 4

REV	DESCRIPTION	DATE	BY	REV	DESCRIPTION	DATE	BY	COMPATIBILITY
1	FIRST ISSUE	26.06.15	NB					
2	GENERAL REVISION	26.09.22	AK					

iHFG Standard Components

Room Layout Sheet

RLS Room Code

ens-ba-7-i

RDS Room Code

ens-ba-7-i

Room Name

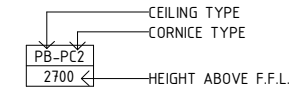
Ensuite - Bariatric

GENERAL NOTES:

THIS DRAWING TO BE READ IN CONJUNCTION WITH R.D.S. (ROOM DATA SHEETS) WHICH TAKES PRECEDENCE.

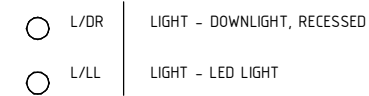
ALL SERVICES INDICATED ARE INDICATIVE AND SUBJECTED TO DETAILED PROJECT SPECIFIC ENGINEERING DESIGN.

CEILING LEGEND:

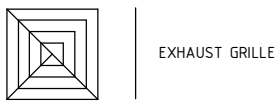


WPT-PC4 WATER RESISTANT, DROP IN TILES, 600x600 WITH POWDERCOAT ALUMINIUM CORNICE, FLUSHED AGAINST WALL
 TILE CEILING GRID (600 x 600)
 GRID LINE

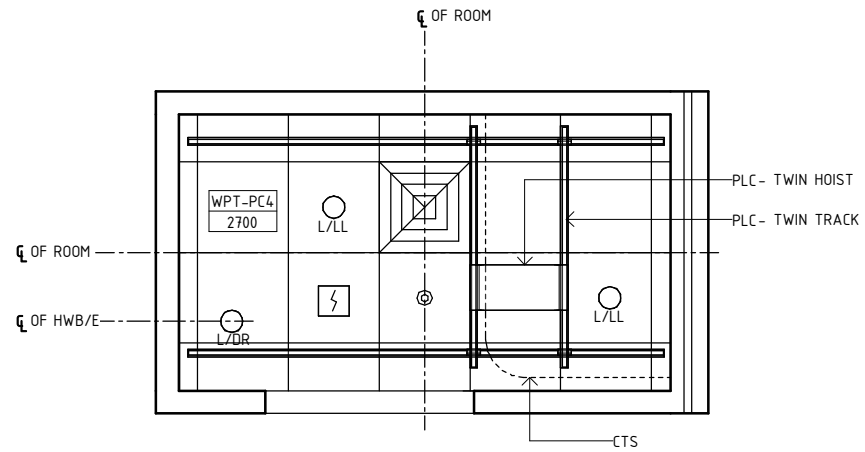
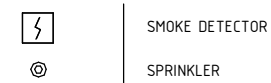
ELECTRICAL LEGEND:



MECHANICAL LEGEND:



FIRE SERVICES LEGEND:



REFLECTED CEILING PLAN

REV	DESCRIPTION	DATE	BY	REV	DESCRIPTION	DATE	BY	COMPATIBILITY
1	FIRST ISSUE	26.06.15	NB					iHFG
2	GENERAL REVISION	26.09.22	AK					

iHFG Standard Components

Room Layout Sheet

RLS Room Code

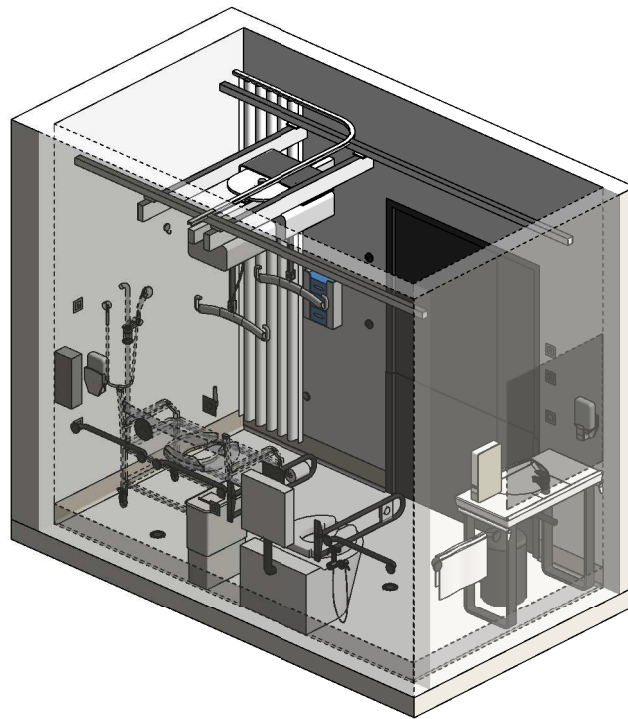
ens-ba-7-i

RDS Room Code

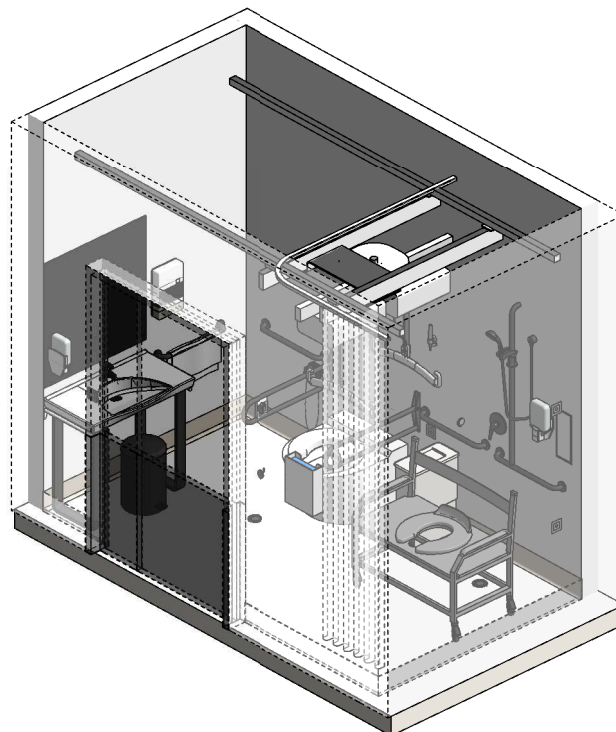
ens-ba-7-i

Room Name

Ensuite - Bariatric



ISOMETRIC VIEW 1



ISOMETRIC VIEW 2

REV	DESCRIPTION	DATE	BY	REV	DESCRIPTION	DATE	BY	COMPATIBILITY
1	FIRST ISSUE	26.06.15	NB					iHFG
2	GENERAL REVISION	26.09.22	AK					



International Health Facility Guidelines at:
www.healthdesign.com.au/iHFG
 Editable version of Standard Components on
 Health Facility Briefing System (HFBS) at:
www.healthdesign.com.au ©TAHPI



DESIGNED	APPROVED	DATE	SCALE(S)	SHEET
AK	SA	26.09.22		3 OF 3
REVIT FILE NAME		PAPER DRAWING ID		ISSUE
ens-ba-7-i		ens-ba-7-i-3		2

This document is for advisory purpose only