

iHFG Standard Components

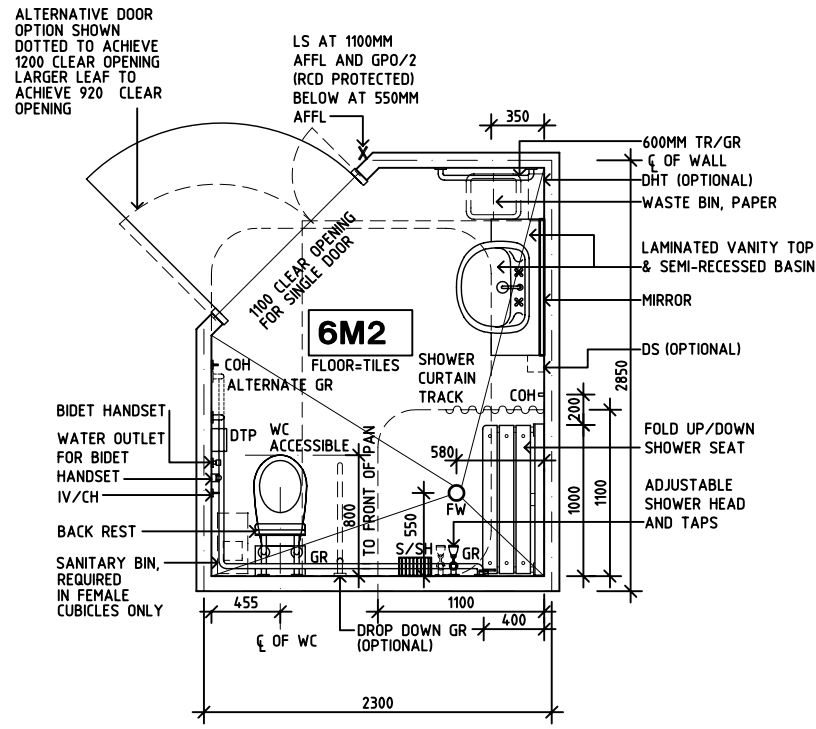
Room Layout Sheet

Room Name **Ensuite - Super (Inboard)**

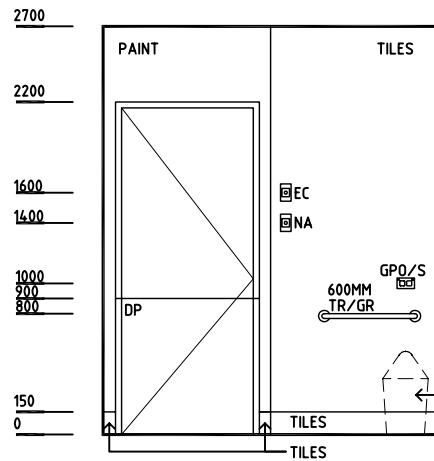
RLS Room Code **ENS-SP-I-A**

RDS Room Code **ENS-SP-I**

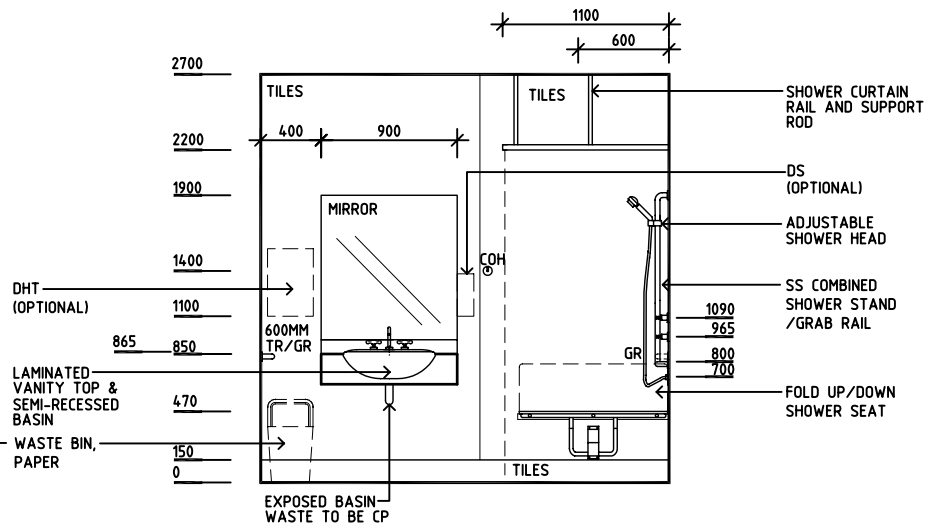
- CH CATHETER HOOK
- COH COAT HOOK
- CP CHROME PLATED
- DHT DISPENSER - HAND TOWEL
- DP DOOR AND DOOR FRAME PROTECTION
- DS DISPENSER - SOAP
- DTP DISPENSER - TOILET PAPER
- EC EMERGENCY CALL
- FW FLOOR WASTE
- GPO/2 GENERAL POWER OUTLET - DOUBLE
- GPO/S GENERAL POWER OUTLET - SPECIAL, SINGLE
- GR GRAB RAIL
- IV IV HOOK
- LS LIGHT SWITCH
- NA NURSE ASSIST CALL
- NC PATIENT/NURSE CALL
- RCD RESIDUAL CURRENT DEVICE
- S/SH SOAP AND SHAMPOO HOLDER
- SS STAINLESS STEEL
- TR TOWEL RAIL
- WC WATER CLOSET



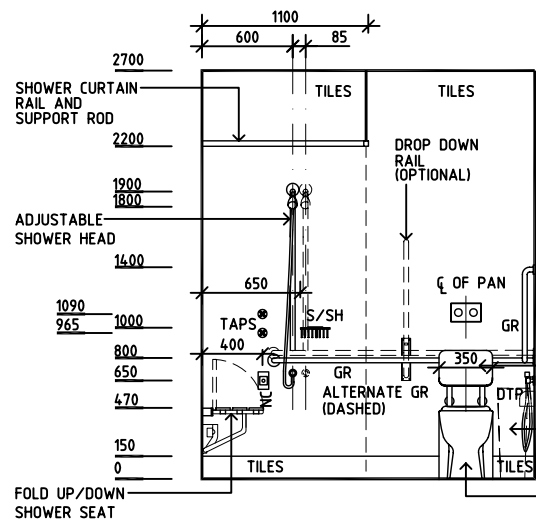
PLAN



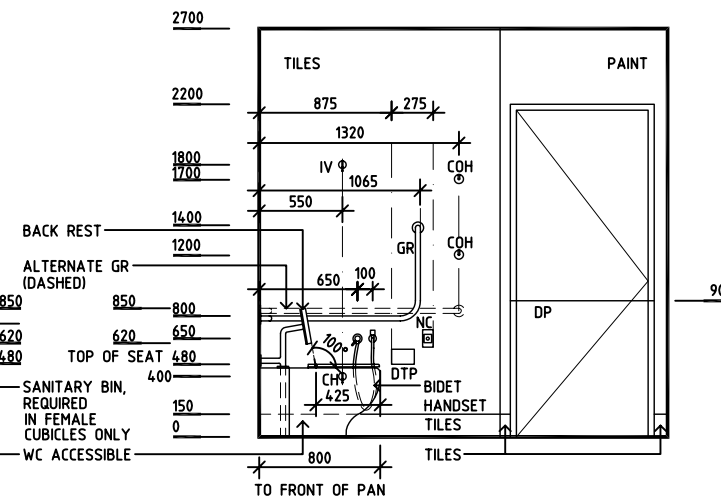
ELEVATION 1



ELEVATION 2



ELEVATION 3



ELEVATION 4

| REV | DESCRIPTION | DATE | BY | REV | DESCRIPTION | DATE | BY | REV | DESCRIPTION | DATE | BY |
|-----|------------------|----------|----|-----|-------------|------|----|-----|-------------|------|----|
| 1 | FIRST ISSUE | 24.10.10 | LL | | | | | | | | |
| 2 | GENERAL REVISION | 30.08.11 | SD | | | | | | | | |
| 3 | GENERAL REVISION | 31.10.12 | KC | | | | | | | | |

| | | | | | |
|------------|---------------|-------------|------------------|------------|--------|
| | DESIGNED | APPROVED | DATE | SCALE(S) | SHEET |
| | CC | DB | 24.10.10 | 1:50 in A3 | 1 of 2 |
| | CAD FILE NAME | | PAPER DRAWING ID | | ISSUE |
| ENS-SP-I-A | | ENS-SP-I-Aa | | 3 | |

iHFG Standard Components

Room Layout Sheet

Room Name **Ensuite - Super (Inboard)**

RLS Room Code **ENS-SP-I-A**

RDS Room Code **ENS-SP-I**

GENERAL NOTES:

THIS DRAWING TO BE READ IN CONJUNCTION WITH R.D.S. (ROOM DATA SHEETS) WHICH TAKES PRECEDENCE.

ALL SERVICES INDICATED ARE INDICATIVE AND SUBJECTED TO DETAILED PROJECT SPECIFIC ENGINEERING DESIGN.

CEILING LEGEND:

- WP | WATER RESISTANT PLASTERBOARD
- FLUSH SET CEILING (PAINT)
- PC4 | 24mm. SHADOW ANGLE, POWDERCOAT ALUMINIUM CORNICE



ELECTRICAL LEGEND:

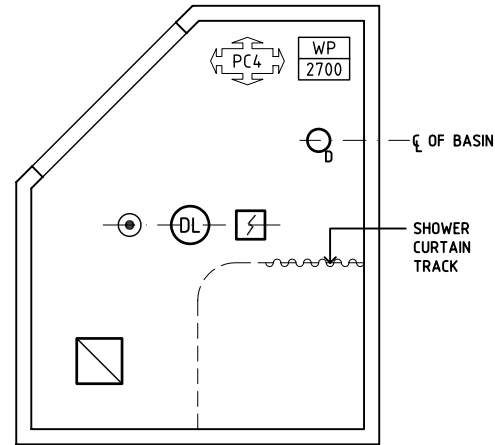
- DL | FLUORESCENT DOWNLIGHT - COMPACT
- | DECORATIVE DOWNLIGHT - RECESSED

MECHANICAL LEGEND:

- | EXHAUST

FIRE SERVICES LEGEND:

- | SMOKE DETECTOR
- ⊙ | SPRINKLER



REFLECTED CEILING PLAN

| REV | DESCRIPTION | DATE | BY | REV | DESCRIPTION | DATE | BY | REV | DESCRIPTION | DATE | BY |
|-----|------------------|----------|----|-----|-------------|------|----|-----|-------------|------|----|
| 2 | GENERAL REVISION | 30.08.11 | SD | | | | | | | | |
| 3 | GENERAL REVISION | 31.10.12 | KC | | | | | | | | |

| | | | | | | | | | |
|------------|--|-------------|------------------|------------|----------|----------|------|----------|-------|
| | International Health Facility Guidelines at: www.healthdesign.com.au/iHFG Editable version of Standard Components on Health Facility Briefing System (HFBS) at: www.healthdesign.com.au ©TAHPI | | | | DESIGNED | APPROVED | DATE | SCALE(S) | SHEET |
| | CC | DB | 24.10.10 | 1:50 in A3 | 2 of 2 | | | | |
| | CAD FILE NAME | | PAPER DRAWING ID | | ISSUE | | | | |
| ENS-SP-I-A | | ENS-SP-I-Ab | | 3 | | | | | |



The International Health Facility Guidelines recommends the use of HFBS “Health Facility Briefing System” to edit all room data sheet information for your project.

HFBS provides edit access to all iHFG standard rooms, and departments, and more than 100 custom report templates.

HFBS Health Facility Briefing System



Briefing Module

The Health Facility Briefing System (HFBS) has numerous modules available via annual subscription. It suits healthcare Architects, Medical Planners, Equipment Planners Project Managers and Health Authorities.

Use the HFBS Briefing Module to quickly drag in health facility departments or pre-configured room templates from the iHFG standard, edit the room features such as finishes, furniture, fittings, fixtures, medical equipment, engineering services. The system can print or download as PDF more than 100 custom reports including room data sheets, schedules, and more...

To learn more about the HFBS web-based Healthcare Briefing and Design Software and to obtain editable versions of the “Standard Components” including Room Data Sheets (RDS) and Room Layout Sheets (RLS) offered on the iHFG website, signup for HFBS using the link below.

Get Started Now:
hfbs.healthdesign.com.au

- ✓ iHFG Room Data Sheets and Departments are instantly editable in the HFBS software available online.
- ✓ You can access hundreds of report templates to print your iHFG room data in HFBS.
- ✓ HFBS has a onetime free 3 day trial available to all new users.

Get Started Now:
hfbs.healthdesign.com.au



HFBS

Health Facility Briefing System

hfbsinfo.com | techsupport@healthdesign.com.au