

iHFG Standard Components

Room Layout Sheet

RLS Room Code

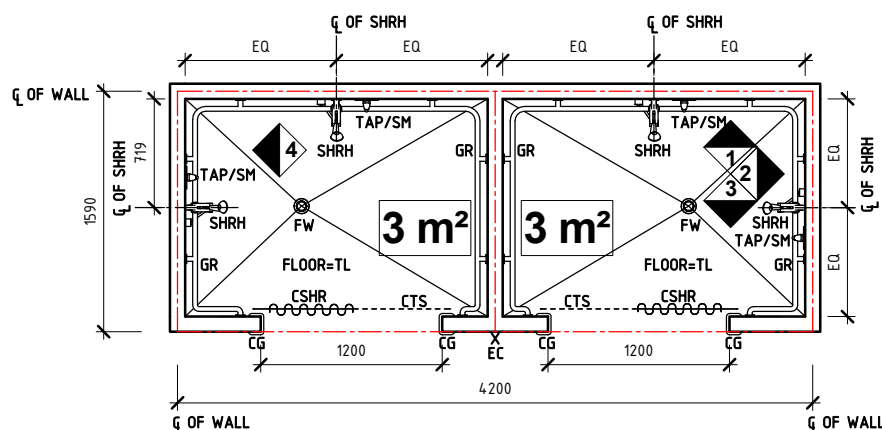
hydsh-i

RDS Room Code

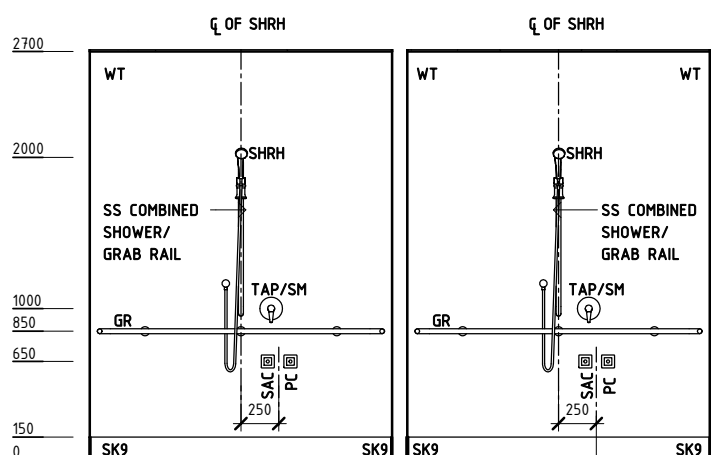
hydsh-i

Room Name | **Hydrotherapy Pool Open Shower Area**

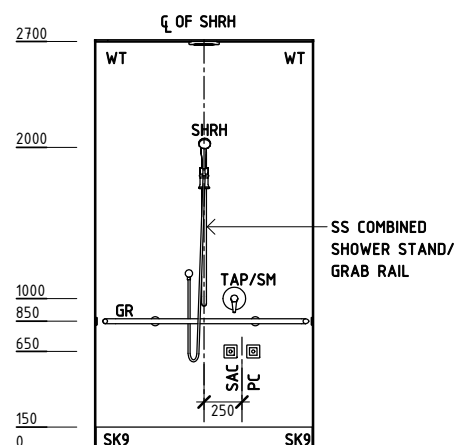
- CG CORNER GUARD
- CSHR CURTAIN - SHOWER
- CTS CURTAIN TRACK - SHOWER
- FW FLOOR WASTE
- GR GRAB RAIL
- PC PATIENT CALL
- SAC STAFF ASSIST CALL
- SHRH SHOWER - HAND HELD SHOWER HEAD
- SK9 TILE COVERED SKIRTING
- SS STAINLESS STEEL
- TAP/SM TAPWARE - SHOWER MIXER
- TL TILE FLOORING
- WT WALL TILE



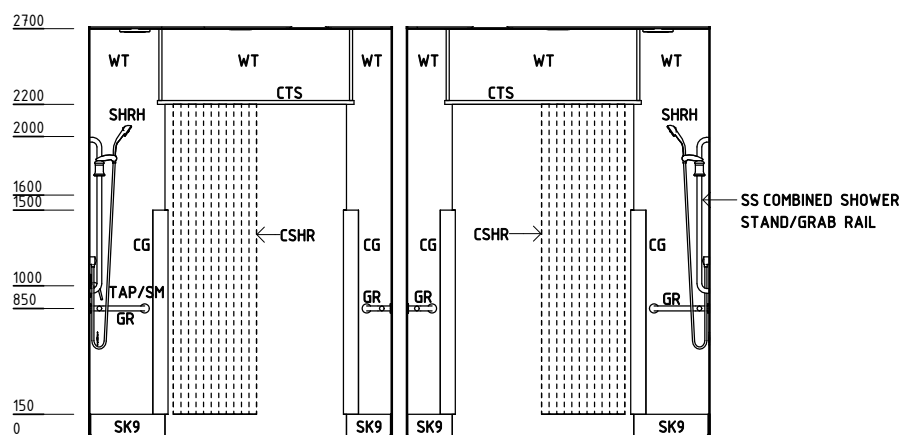
PLAN



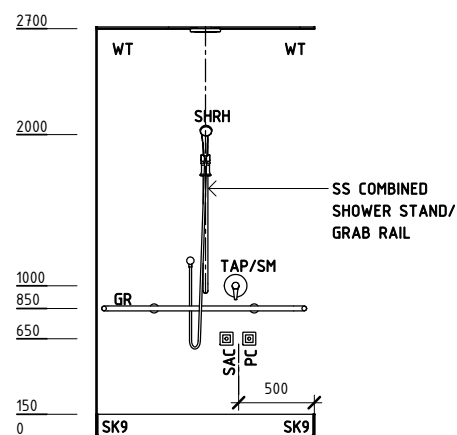
ELEVATION 1



ELEVATION 2



ELEVATION 3



ELEVATION 4

| REV | DESCRIPTION | DATE | BY | REV | DESCRIPTION | DATE | BY | COMPATIBILITY |
|-----|------------------|----------|----|-----|-------------|------|----|---------------|
| 1 | FIRST ISSUE | 29.02.16 | PJ | | | | | |
| 2 | GENERAL REVISION | 27.01.23 | SS | | | | | |



International Health Facility Guidelines at:
www.healthdesign.com.au/iHFG
 Editable version of Standard Components on
 Health Facility Briefing System (HFBS) at:
www.healthdesign.com.au ©TAHPI



| DESIGNED | APPROVED | DATE | SCALE(S) | SHEET |
|-----------------|----------|------------------|----------|--------|
| SS | SA | 27.01.23 | 1 : 50 | 1 OF 2 |
| REVIT FILE NAME | | PAPER DRAWING ID | | ISSUE |
| hydsh-i | | hydsh-i-1 | | 2 |

iHFG Standard Components

Room Layout Sheet

RLS Room Code

hydsh-i

RDS Room Code

hydsh-i

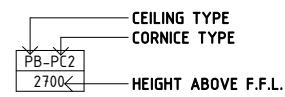
Room Name | **Hydrotherapy Pool Open Shower Area**

GENERAL NOTES:

THIS DRAWING TO BE READ IN CONJUNCTION WITH R.D.S. (ROOM DATA SHEETS) WHICH TAKES PRECEDENCE.

ALL SERVICES INDICATED ARE INDICATIVE AND SUBJECT TO DETAILED PROJECT SPECIFIC ENGINEERING DESIGN.

CEILING LEGEND:



HEIGHT ABOVE F.F.L.

WPB-PC3

WATER RESISTANT PLASTERBOARD FLUSH SET CEILING, PAINT FINISH

GRID LINE

ELECTRICAL LEGEND:



LED LIGHTING
WATER RESISTANT

MECHANICAL LEGEND:

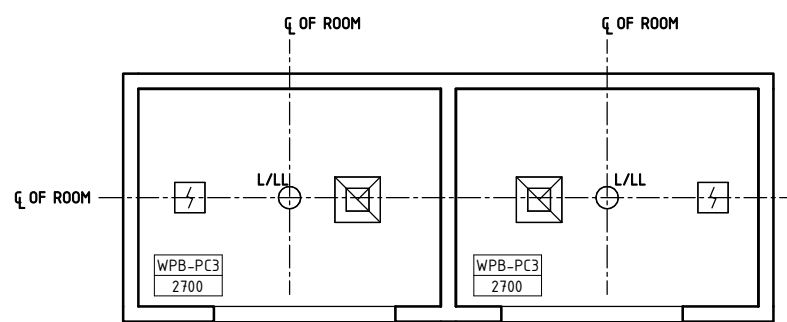


EXHAUST

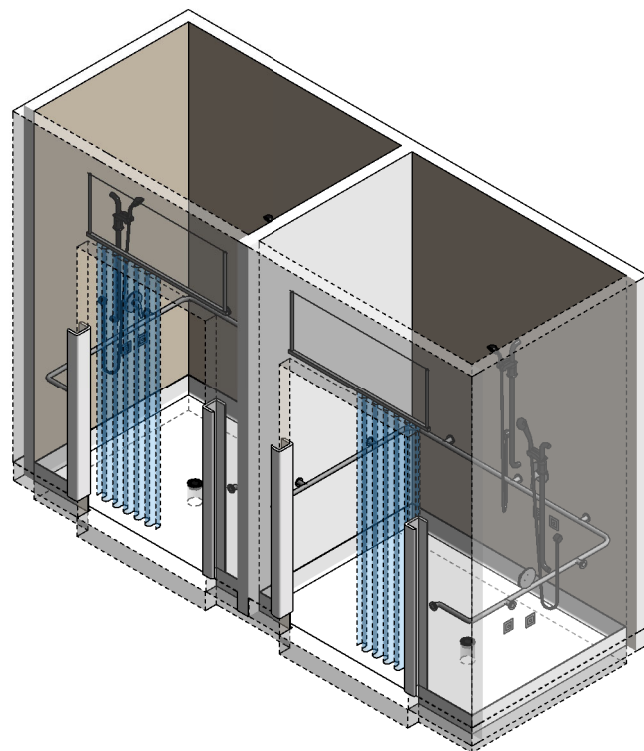
FIRE SERVICES LEGEND:



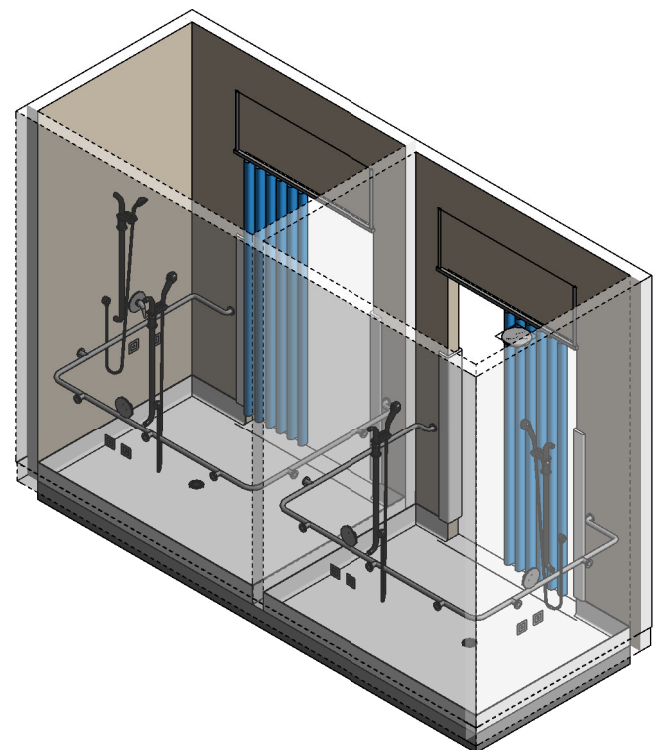
SMOKE DETECTOR



REFLECTED CEILING PLAN



ISOMETRIC VIEW 01



ISOMETRIC VIEW 02

| REV | DESCRIPTION | DATE | BY | REV | DESCRIPTION | DATE | BY | COMPATIBILITY |
|-----|------------------|----------|----|-----|-------------|------|----|---------------|
| 1 | FIRST ISSUE | 29.02.16 | PJ | | | | | |
| 2 | GENERAL REVISION | 27.01.23 | SS | | | | | |



International Health Facility Guidelines

International Health Facility Guidelines at:
www.healthdesign.com.au/iHFG
Editable version of Standard Components on
Health Facility Briefing System (HFBS) at:
www.healthdesign.com.au ©TAHPI



| DESIGNED | APPROVED | DATE | SCALE(S) | SHEET |
|-----------------|----------|------------------|----------|--------|
| SS | SA | 27.01.23 | 1 : 50 | 2 OF 2 |
| REVIT FILE NAME | | PAPER DRAWING ID | | ISSUE |
| hydsh-i | | hydsh-i-2 | | 2 |