

iHFG Standard Components

Room Layout Sheet

Room Name **IVF / ICSI Laboratory**

RLS Room Code

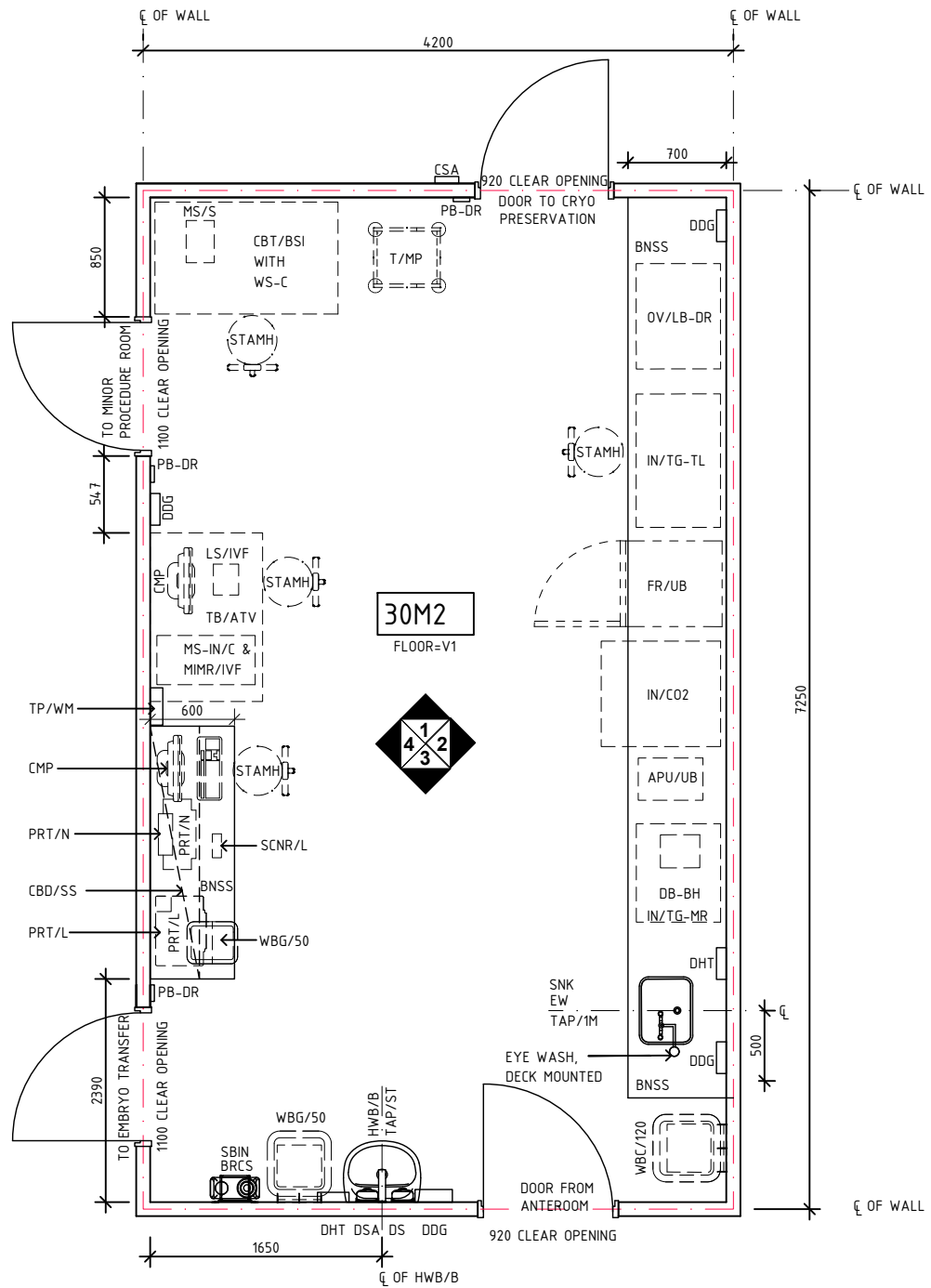
ivf-icsi-i

RDS Room Code

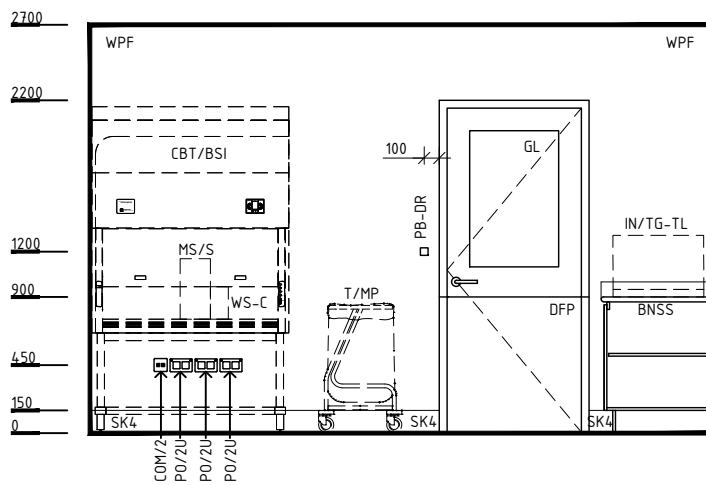
ivf-icsi-i

- APU/UB AIR PURIFICATION UNIT : UNDER BENCH
- AS ADJUSTABLE SHELF
- BH/PB BULKHEAD - PLASTERBOARD, PAINT FINISH
- BNSS BENCH - STAINLESS STEEL
- BRCS BRACKET : SHARPS DISPOSAL
- C/E CLOCK : ELECTRIC
- CBD/SS CUPBOARD : STAINLESS STEEL
- CBT/BSI CABINET: BIOLOGICAL SAFETY, CLASS II, IVF
- CMP COMPUTER
- COM/1 VOICE / DATA OUTLET : SINGLE
- COM/2 VOICE / DATA OUTLET : DOUBLE
- CSA CARD ACCESS
- DB-BH DRY BATH / BLOCK HEATER, DIGITAL
- DDG DISPENSER : DISPOSABLE GLOVES
- DFP DOOR AND DOOR FRAME PROTECTION
- DHT DISPENSER - PAPER HAND TOWEL
- DS DISPENSER - SOAP
- DSA DISPENSER - SOAP, ANTISEPTIC
- EW EYE WASH FACILITY
- FR/UB FRIDGE - UNDERBENCH
- IN/CO2 INCUBATOR: CO2, AIR JACKETED, LABORATORY
- IN/TG-MR INCUBATOR : TRI-GAS, MULTI ROOM, BENCH TOP
- IN/TG-TL INCUBATOR : TRI-GAS, TIME LAPSE
- LS/IVF LASER SYSTEM : IVF
- LS/DD LIGHT SWITCH - DOWNLIGHT DIMMER
- LS/R LIGHT SWITCH - ROOM
- MIMR/IVF MICROMANIPULATOR : IVF
- MS-IN/C MICROSCOPE : INVERTED, WITH CAMERA
- MS/S MICROSCOPE : STEREO
- OV/LB-DR OBSERVATION PANEL
- OP PUSH BUTTON - DOOR RELEASE
- PB-DR POWER OUTLET : DOUBLE
- PO/2 POWER OUTLET : EMERGENCY, DOUBLE
- PO/ZE UNINTERRUPTED POWER SUPPLY : DOUBLE
- PO/2U POWER OUTLET : CLEANER
- PO/C OVEN: LABORATORY, DRYING
- PRT/L PRINTER : LABEL / BARCODE
- PRT/N PRINTER : NETWORKED
- SBIN SHARPS DISPOSAL: WALL MOUNTED, 11 L
- SBK SPLASHBACK
- SCNR/L SCANNER : LABEL / BARCODE
- SK4 FLOOR VINYL COVED SKIRTING
- SNK SINK, STAINLESS STEEL
- STAMH STOOL : ADJUSTABLE, MOBILE, HIGH, WITH BACKREST
- T/MP TROLLEY : SS, MULTIPURPOSE
- TAP/1M TAPWARE : SINGLE MIXER
- TAP/ST TAPWARE : SENSOR TAP
- TB/ATV TABLE - ANTI-VIBRATION TABLE, IVF
- TP/WM TELEPHONE - WALL MOUNTED
- WPF WALL PAINT FINISH
- WBC/120 WASTE BIN - CLINICAL, 120 LITRE
- WBG/50 WASTE BIN - GENERAL, 50 LITRE
- WS-C WITNESSING SYSTEM COMPONENT
- WV WALL VINYL

NOTE:
ALL INCUBATORS TO HAVE EITHER CENTRAL CONNECTION FOR TRI-GAS OR CYLINDERS



PLAN



ELEVATION 1

REV	DESCRIPTION	DATE	BY	REV	DESCRIPTION	DATE	BY	COMPATIBILITY		
1	FIRST ISSUE	30.11.22	BK							
								iHFG		
International Health Facility Guidelines				International Health Facility Guidelines at: www.healthdesign.com.au/iHFG Editable version of Standard Components on Health Facility Briefing System (HFBS) at: www.healthdesign.com.au/TAHPI						DESIGNED BK APPROVED RH DATE 30.11.22 SCALE(S) 1:50 in A3 SHEET 1 OF 3
				CAD FILE NAME ivf-icsi-i		PAPER DRAWING ID ivf-icsi-i-1		ISSUE 1		

This document is for advisory purpose only

iHFG Standard Components

Room Layout Sheet

Room Name **IVF / ICSI Laboratory**

RLS Room Code

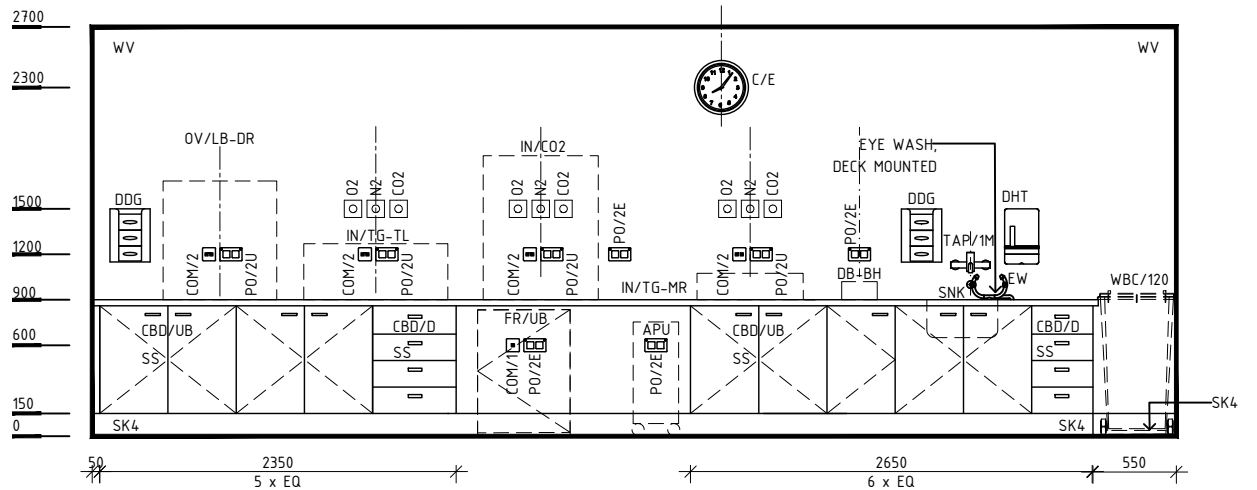
ivf-icsi-i

RDS Room Code

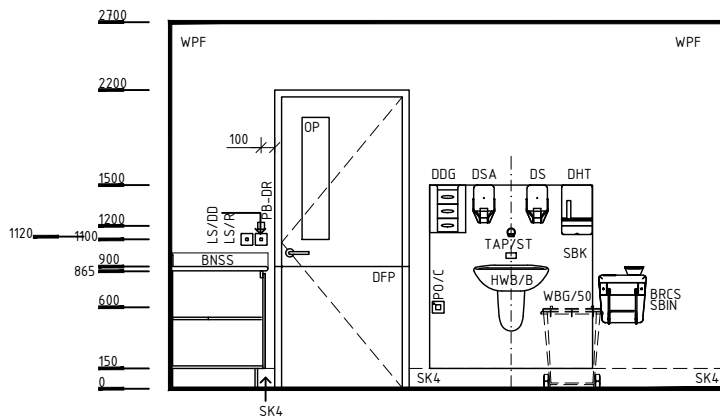
ivf-icsi-i

APU/UB	AIR PURIFICATION UNIT : UNDER BENCH
AS	ADJUSTABLE SHELF
BH/PB	BULKHEAD - PLASTERBOARD, PAINT FINISH
BNSS	BENCH - STAINLESS STEEL
BRCS	BRACKET : SHARPS DISPOSAL
C/E	CLOCK : ELECTRIC
CBD/SS	CUPBOARD : STAINLESS STEEL
CBT/BSI	CABINET: BIOLOGICAL SAFETY, CLASS II, IVF
CMF	COMPUTER
COM/1	VOICE / DATA OUTLET : SINGLE
COM/2	VOICE / DATA OUTLET : DOUBLE
CSA	CARD ACCESS
DB-BH	DRY BATH / BLOCK HEATER, DIGITAL
DDG	DISPENSER : DISPOSABLE GLOVES
DFP	DOOR AND DOOR FRAME PROTECTION
DHT	DISPENSER - PAPER HAND TOWEL
DS	DISPENSER - SOAP
DSA	DISPENSER - SOAP, ANTISEPTIC
EW	EYE WASH FACILITY
FR/UB	FRIDGE - UNDERBENCH
IN/CO2	INCUBATOR: CO2, AIR JACKETED, LABORATORY
IN/TG-MR	INCUBATOR : TRI-GAS, MULTI ROOM, BENCH TOP
IN/TG-TL	INCUBATOR : TRI-GAS, TIME LAPSE
LS/IVF	LASER SYSTEM : IVF
LS/DD	LIGHT SWITCH - DOWNLIGHT DIMMER
LS/R	LIGHT SWITCH - ROOM
MMR/IVF	MICROMANIPULATOR : IVF
MS-IN/C	MICROSCOPE : INVERTED, WITH CAMERA
MS/S	MICROSCOPE : STEREO
OV/LB-DR	OBSERVATION PANEL
OP	PUSH BUTTON - DOOR RELEASE
PB-DR	POWER OUTLET : DOUBLE
PO/2	POWER OUTLET : EMERGENCY, DOUBLE
PO/2E	UNINTERRUPTED POWER SUPPLY : DOUBLE
PO/2U	POWER OUTLET : CLEANER
PO/C	OVEN: LABORATORY, DRYING
PRT/L	PRINTER : LABEL / BARCODE
PRT/N	PRINTER : NETWORKED
SBIN	SHARPS DISPOSAL: WALL MOUNTED, 11 L
SBK	SPLASHBACK
SCNR/L	SCANNER : LABEL / BARCODE
SK4	FLOOR VINYL COVERED SKIRTING
SNK	SINK, STAINLESS STEEL
STAMH	STOOL : ADJUSTABLE, MOBILE, HIGH, WITH BACKREST
T/MP	TROLLEY : SS, MULTIPURPOSE
TAP/1M	TAPWARE : SINGLE MIXER
TAP/ST	TAPWARE : SENSOR TAP
TB/ATV	TABLE - ANTI-VIBRATION TABLE, IVF
TP/WM	TELEPHONE - WALL MOUNTED
WPF	WALL PAINT FINISH
WBC/120	WASTE BIN - CLINICAL, 120 LITRE
WBG/50	WASTE BIN - GENERAL, 50 LITRE
WS-C	WITNESSING SYSTEM COMPONENT
WV	WALL VINYL

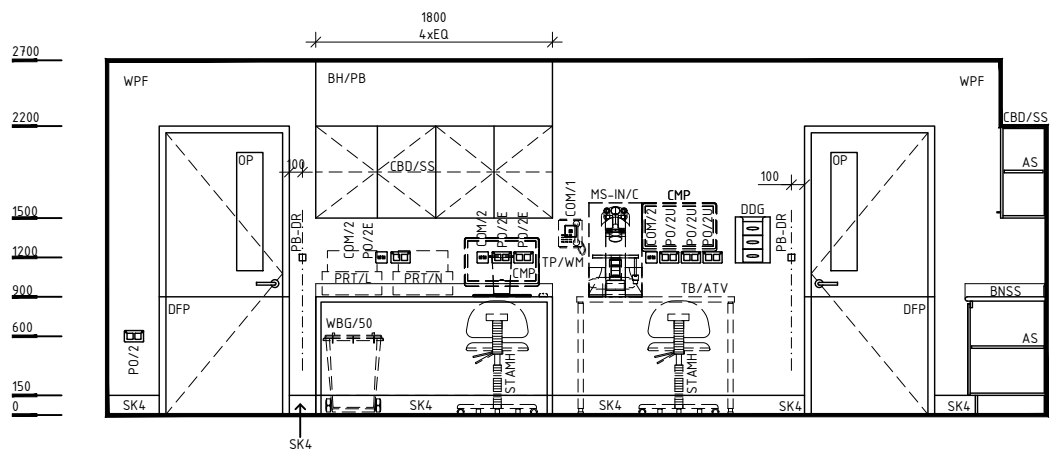
NOTE:
ALL INCUBATORS TO HAVE EITHER CENTRAL CONNECTION FOR TRI-GAS OR CYLINDERS



ELEVATION 2



ELEVATION 3



ELEVATION 4

REV	DESCRIPTION	DATE	BY	REV	DESCRIPTION	DATE	BY	COMPATIBILITY
1	FIRST ISSUE	30.11.22	BK					

iHFG Standard Components

Room Layout Sheet

Room Name **IVF / ICSI Laboratory**

RLS Room Code

ivf-icsi-i

RDS Room Code

ivf-icsi-i

GENERAL NOTES:

THIS DRAWING TO BE READ IN CONJUNCTION WITH R.D.S. (ROOM DATA SHEETS) WHICH TAKES PRECEDENCE.

ALL SERVICES INDICATED ARE INDICATIVE AND SUBJECT TO DETAILED PROJECT SPECIFIC ENGINEERING DESIGN.

CEILING LEGEND:

- PB PLASTERBOARD FLUSH SET CEILING, PAINT
- BH/PB BULKHEAD - PLASTERBOARD, PAINT FINISH
- PC2 90mm. PLASTERBOARD CORNICE, FLUSH COVERED
- GRID LINE

PB ← CEILING TYPE
2700 ← HEIGHT ABOVE F.F.L.

ELECTRICAL LEGEND:

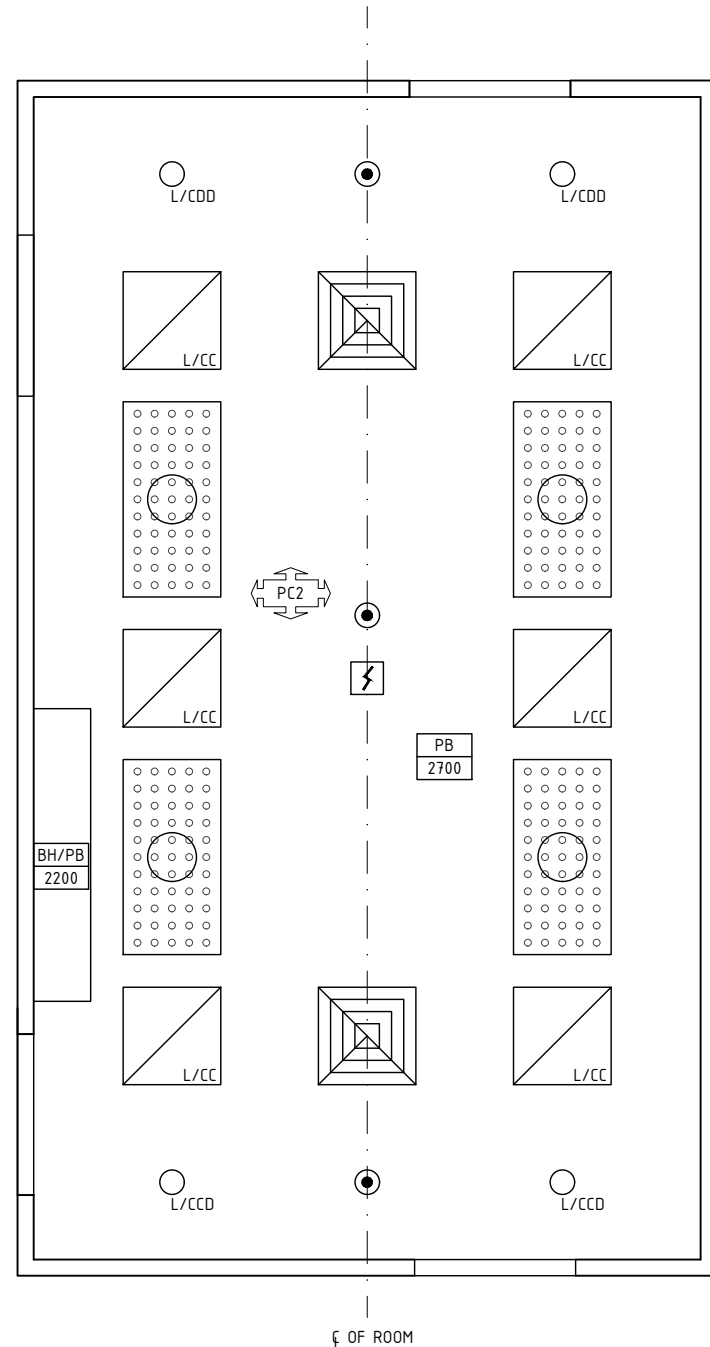
- LIGHT - COLOUR CORRECTED
- LIGHT - COLOUR CORRECTED - DIMMABLE

MECHANICAL LEGEND:

- HEPA FILTER GRILLE
- EXHAUST GRILLE

FIRE SERVICES LEGEND:

- SMOKE DETECTOR
- SPRINKLER



REFLECTED CEILING PLAN

REV	DESCRIPTION	DATE	BY	REV	DESCRIPTION	DATE	BY	COMPATIBILITY	
1	FIRST ISSUE	30.11.22	BK						
								iHFG	
		DESIGNED		APPROVED		DATE		SCALE(S)	SHEET
		BK		RH		30.11.22		1:50 in A3	3 OF 3
		CAD FILE NAME				PAPER DRAWING ID		ISSUE	
		ivf-icsi-i				ivf-icsi-i-3		1	