

iHFG Standard Components

Room Layout Sheet

RLS Room Code

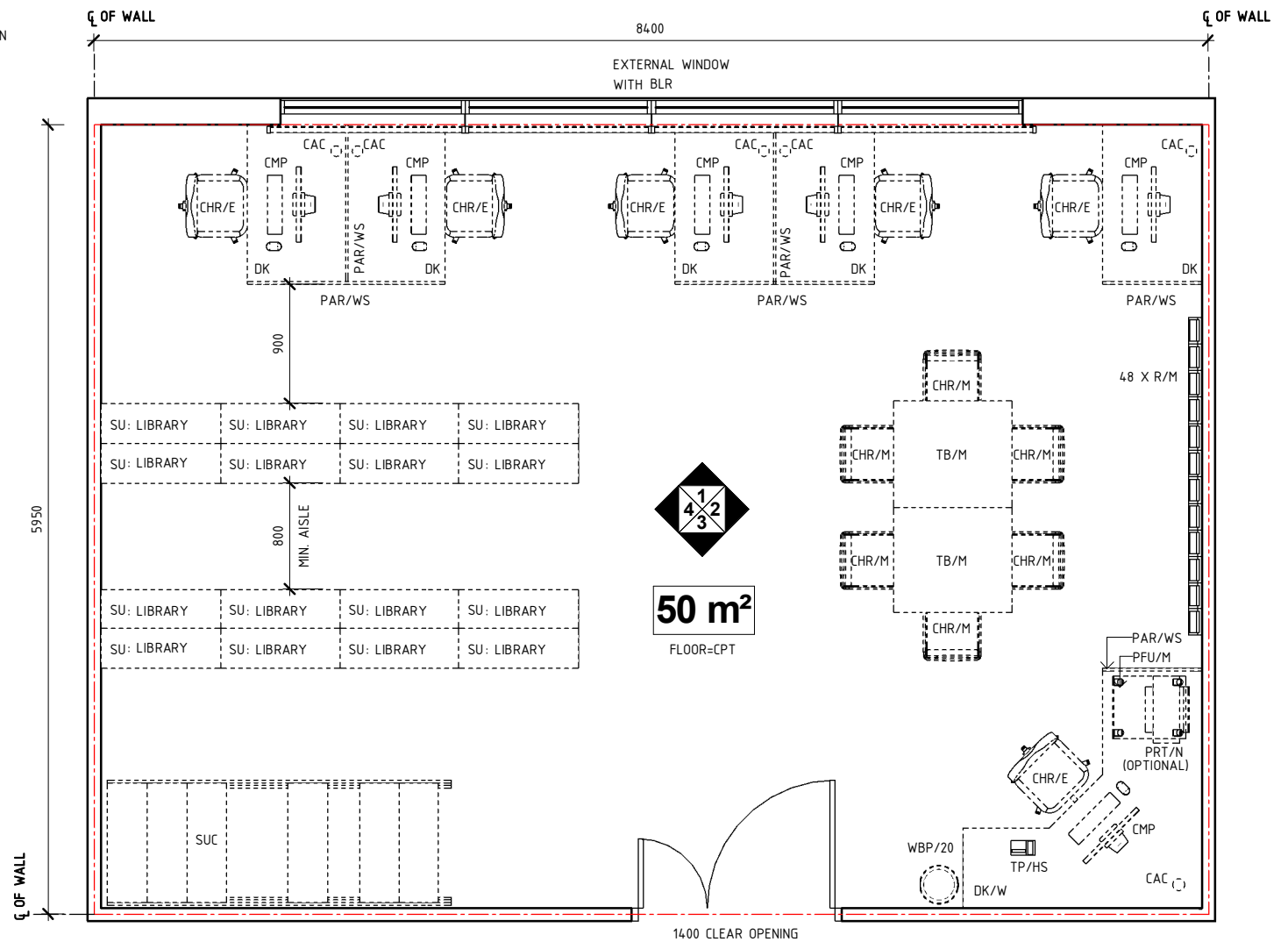
Isra-50-i

RDS Room Code

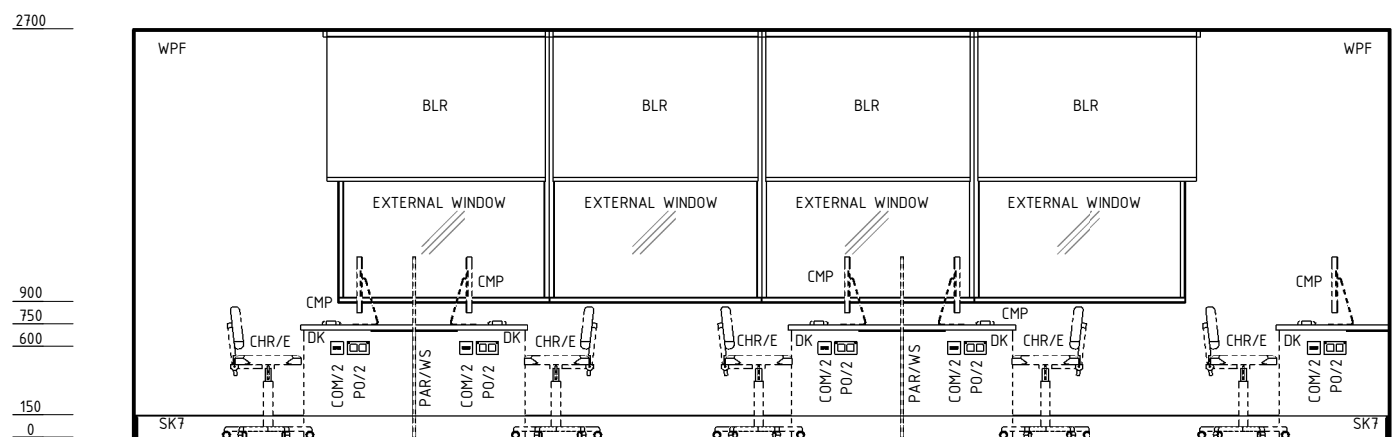
Isra-50-i

Room Name **Library & Study/ Reading Area, 50m²**

- BLR BLIND - ROLLER
- CAC CABLE ACCESS CAP
- CHR/E CHAIR - ERGONOMIC, OFFICE
- CHR/M CHAIR - MEETING ROOM
- CMP COMPUTER
- COM/2 COMMUNICATION OUTLET - DOUBLE
- CPT CARPET
- DK DESK
- DK/W DESK - WITH COMPUTER WORKSTATION
- PAR/WS PARTITIONS - WORKSTATION
- PFU/M PEDESTAL FILING UNIT - MOBLE
- PO/2 POWER OUTLET - DOUBLE
- PRT/N PRINTER - NETWORKED
- R/M RACK - MAGAZINE
- SK7 TIMBER SKIRTING
- SU SHELVING UNIT
- SUC SHELVING UNIT - COMPACTUS
- TB/M TABLE - MEETING
- TP/HS TELEPHONE - HANDSET, STANDARD
- WBP/20 WASTE BIN - PAPER, 20 LITRE
- WPF WALL PAINT FINISH



PLAN



ELEVATION 1

REV	DESCRIPTION	DATE	BY	REV	DESCRIPTION	DATE	BY	COMPATIBILITY																				
1	FIRST ISSUE	24.10.10	CC	4	GENERAL REVISION	25.05.23	AM																					
2	GENERAL REVISION	30.08.11	SK																									
3	GENERAL REVISION	31.10.12	CT																									
								<table border="1"> <thead> <tr> <th>DESIGNED</th> <th>APPROVED</th> <th>DATE</th> <th>SCALE(S)</th> <th>SHEET</th> </tr> </thead> <tbody> <tr> <td>AM</td> <td>SA</td> <td>25.05.23</td> <td>1 : 50</td> <td>1 OF 4</td> </tr> <tr> <td colspan="2">REVIT FILE NAME</td> <td colspan="2">PAPER DRAWING ID</td> <td>ISSUE</td> </tr> <tr> <td colspan="2">Isra-50-i</td> <td colspan="2">Isra-50-i-1</td> <td>4</td> </tr> </tbody> </table>	DESIGNED	APPROVED	DATE	SCALE(S)	SHEET	AM	SA	25.05.23	1 : 50	1 OF 4	REVIT FILE NAME		PAPER DRAWING ID		ISSUE	Isra-50-i		Isra-50-i-1		4
DESIGNED	APPROVED	DATE	SCALE(S)	SHEET																								
AM	SA	25.05.23	1 : 50	1 OF 4																								
REVIT FILE NAME		PAPER DRAWING ID		ISSUE																								
Isra-50-i		Isra-50-i-1		4																								

iHFG Standard Components

Room Layout Sheet

RLS Room Code

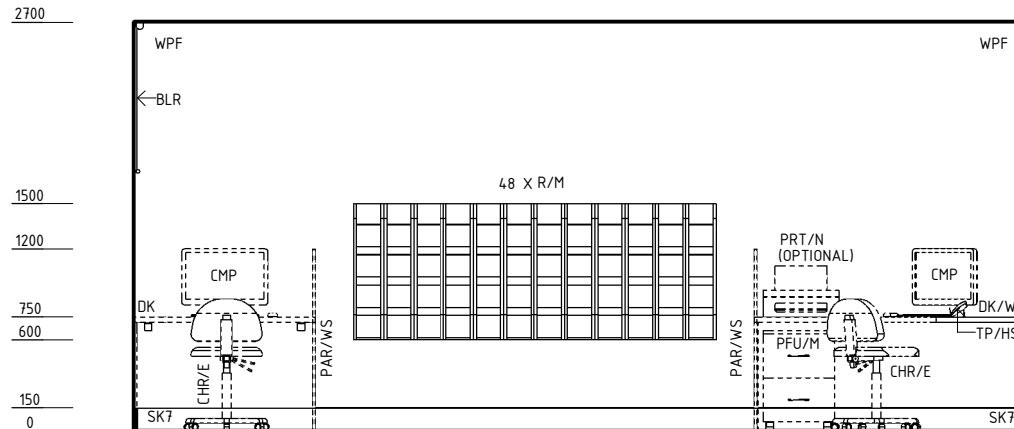
Isra-50-i

RDS Room Code

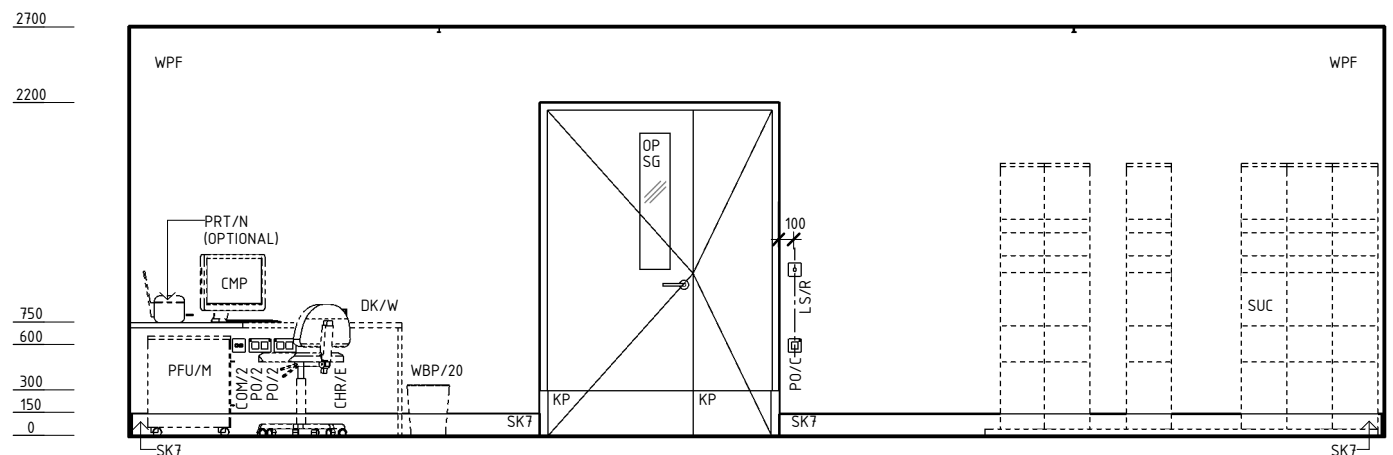
Isra-50-i

Room Name **Library & Study/ Reading Area, 50m2**

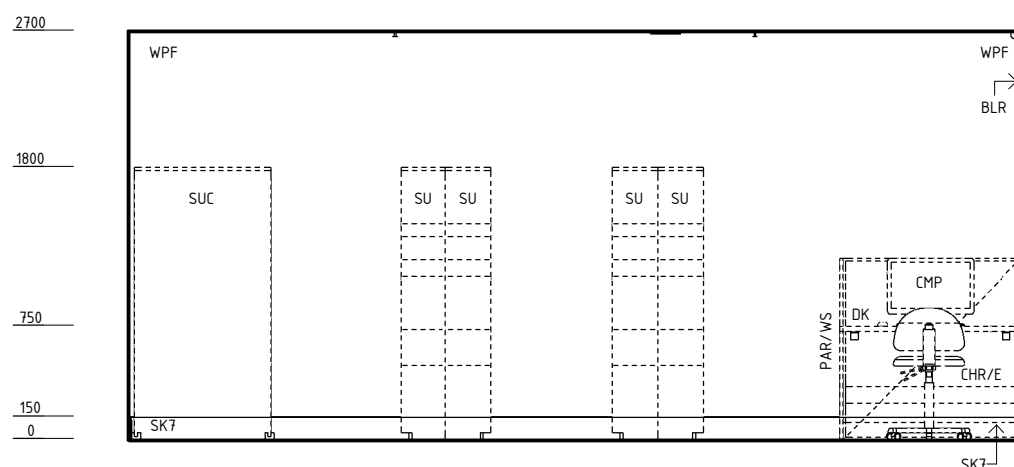
- BLR BLIND - ROLLER
- CHR/E CHAIR - ERGONOMIC, OFFICE
- CMP COMPUTER
- COM/2 COMMUNICATION OUTLET - DOUBLE
- DK DESK
- DK/W DESK - WITH COMPUTER WORKSTATION
- KP KICKPLATE
- LS/R LIGHT SWITCH - ROOM
- OP OBSERVATION PANEL
- PAR/WS PARTITIONS - WORKSTATION
- PFU/M PEDESTAL FILING UNIT - MOBLE
- PO/2 POWER OUTLET - DOUBLE
- PO/C POWER OUTLET - CLEANER'S
- PRT/N PRINTER - NETWORKED
- R/M RACK - MAGAZINE
- SG SAFETY GLASS
- SK7 TIMBER SKIRTING
- SU SHELVING UNIT
- SUC SHELVING UNIT - COMPACTUS
- TP/HS TELEPHONE - HANDSET, STANDARD
- WBP/20 WASTE BIN - PAPER, 20 LITRE
- WPF WALL PAINT FINISH




ELEVATION 2



ELEVATION 3



ELEVATION 4

REV	DESCRIPTION	DATE	BY	REV	DESCRIPTION	DATE	BY	COMPATIBILITY				
1	FIRST ISSUE	24.10.10	CC	4	GENERAL REVISION	25.05.23	AM					
2	GENERAL REVISION	30.08.11	SK									
3	GENERAL REVISION	31.10.12	CT									
								DESIGNED	APPROVED	DATE	SCALE(S)	SHEET
								AM	SA	25.05.23	1 : 50	2 OF 4
								REVIT FILE NAME		PAPER DRAWING ID		ISSUE
								Isra-50-i		Isra-50-i-2		4

iHFG Standard Components

Room Layout Sheet

RLS Room Code

Isra-50-i

Room Name

Library & Study/ Reading Area, 50m2

RDS Room Code

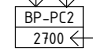
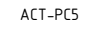
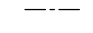

Isra-50-i

GENERAL NOTES:

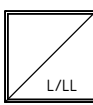
THIS DRAWING TO BE READ IN CONJUNCTION WITH R.D.S. (ROOM DATA SHEETS) WHICH TAKES PRECEDENCE.

ALL SERVICES INDICATED ARE INDICATIVE AND SUBJECTED TO DETAILED PROJECT SPECIFIC ENGINEERING DESIGN.

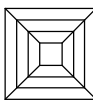
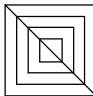
CEILING LEGEND:

-  CEILING TYPE
CORNICER TYPE
-  ACTOUSTIC CEILING TILES WITH POWDERCOAT ALUMINIUM CORNICE, FLUSHED AGAINST WALL
-  GRID LINE
-  TILE CEILING GRID (600 x 600)

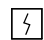

ELECTRICAL LEGEND:

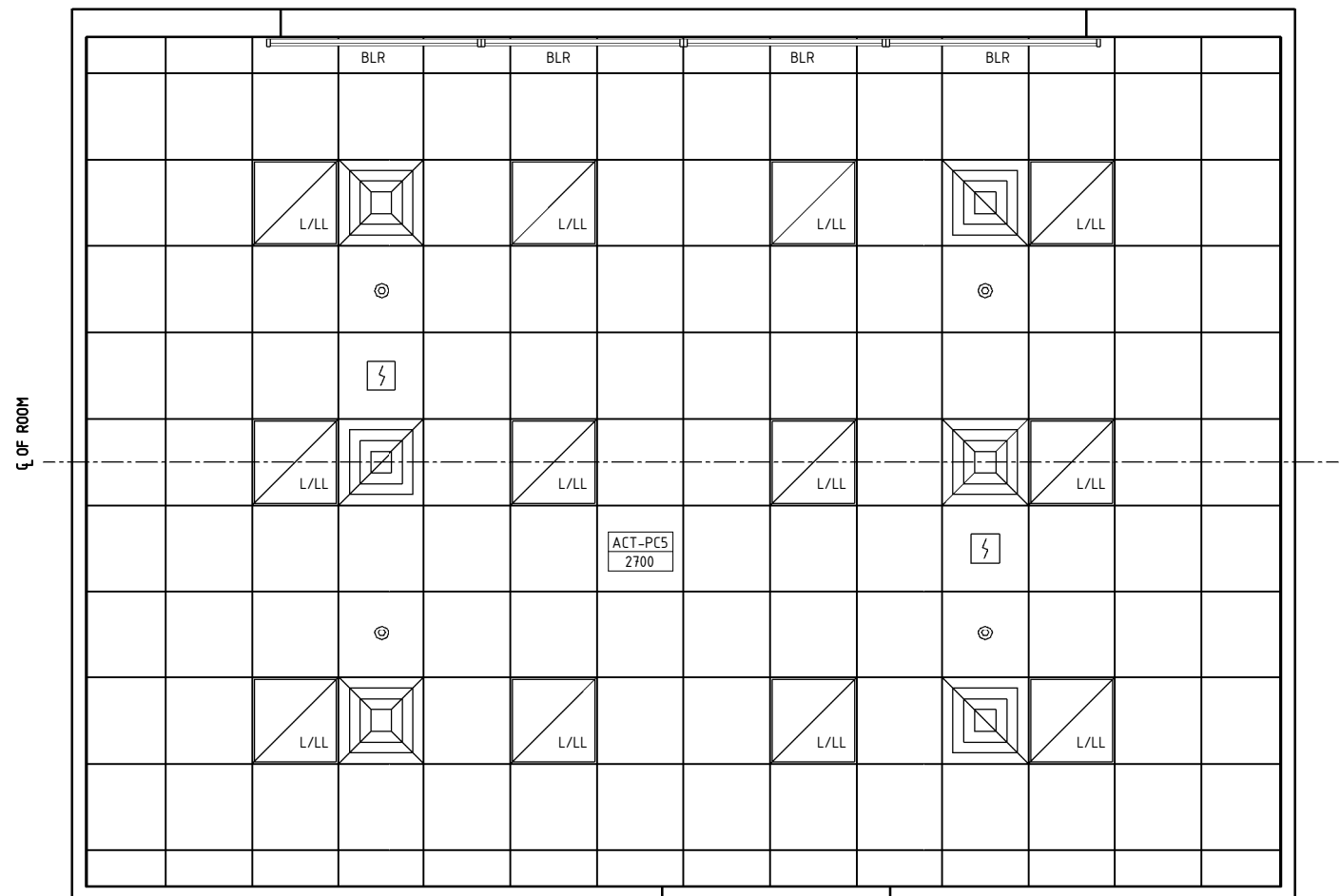
-  LIGHT - LED LIGHT

MECHANICAL LEGEND:

-  SUPPLY AIR GRILLE
-  RETURN AIR GRILLE

FIRE SERVICES LEGEND:

-  SMOKE DETECTOR
-  SPRINKLER



REFLECTED CEILING PLAN

REV	DESCRIPTION	DATE	BY	REV	DESCRIPTION	DATE	BY	COMPATIBILITY																				
1	FIRST ISSUE	24.10.10	CC	4	GENERAL REVISION	25.05.23	AM	iHFG																				
2	GENERAL REVISION	30.08.11	SK																									
3	GENERAL REVISION	31.10.12	CT																									
<table border="1"> <thead> <tr> <th>DESIGNED</th> <th>APPROVED</th> <th>DATE</th> <th>SCALE(S)</th> <th>SHEET</th> </tr> </thead> <tbody> <tr> <td>AM</td> <td>SA</td> <td>25.05.23</td> <td>1 : 50</td> <td>3 OF 4</td> </tr> <tr> <td colspan="2">REVIT FILE NAME</td> <td colspan="2">PAPER DRAWING ID</td> <td>ISSUE</td> </tr> <tr> <td colspan="2">Isra-50-i</td> <td colspan="2">Isra-50-i-3</td> <td>4</td> </tr> </tbody> </table>								DESIGNED	APPROVED	DATE	SCALE(S)	SHEET	AM	SA	25.05.23	1 : 50	3 OF 4	REVIT FILE NAME		PAPER DRAWING ID		ISSUE	Isra-50-i		Isra-50-i-3		4	
DESIGNED	APPROVED	DATE	SCALE(S)	SHEET																								
AM	SA	25.05.23	1 : 50	3 OF 4																								
REVIT FILE NAME		PAPER DRAWING ID		ISSUE																								
Isra-50-i		Isra-50-i-3		4																								

iHFG Standard Components

Room Layout Sheet

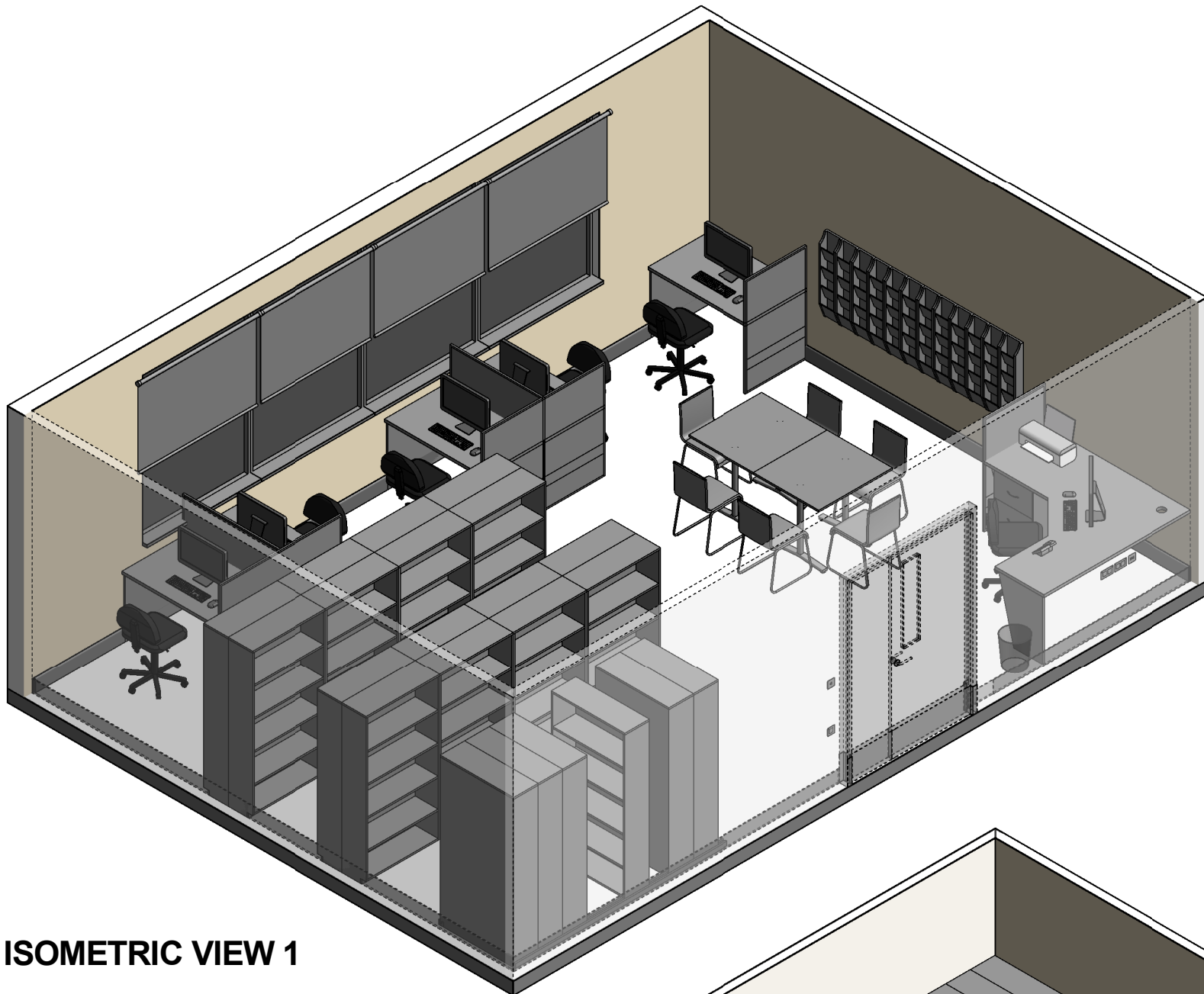
RLS Room Code

Isra-50-i

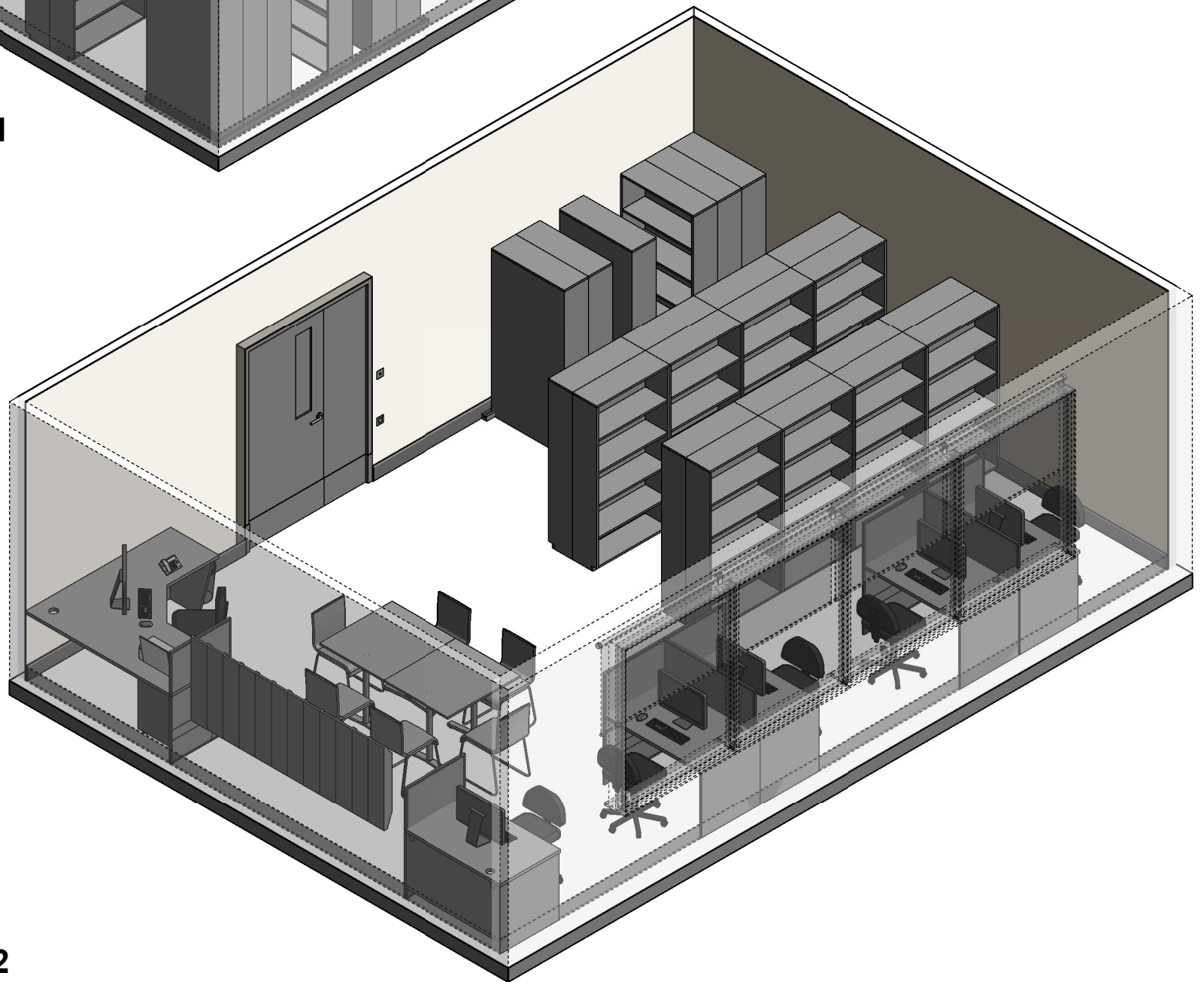
RDS Room Code

Isra-50-i

Room Name | **Library & Study/ Reading Area, 50m2**



ISOMETRIC VIEW 1



ISOMETRIC VIEW 2

REV	DESCRIPTION	DATE	BY	REV	DESCRIPTION	DATE	BY	COMPATIBILITY
1	FIRST ISSUE	24.10.10	CC	4	GENERAL REVISION	25.05.23	AM	iHFG
2	GENERAL REVISION	30.08.11	SK					
3	GENERAL REVISION	31.10.12	CT					

DESIGNED	APPROVED	DATE	SCALE(S)	SHEET
AM	SA	25.05.23		4 OF 4
REVIT FILE NAME		PAPER DRAWING ID		ISSUE
Isra-50-i		Isra-50-i-4		4