

# iHFG Standard Components

Room Layout Sheet

Room Name **Majlis**

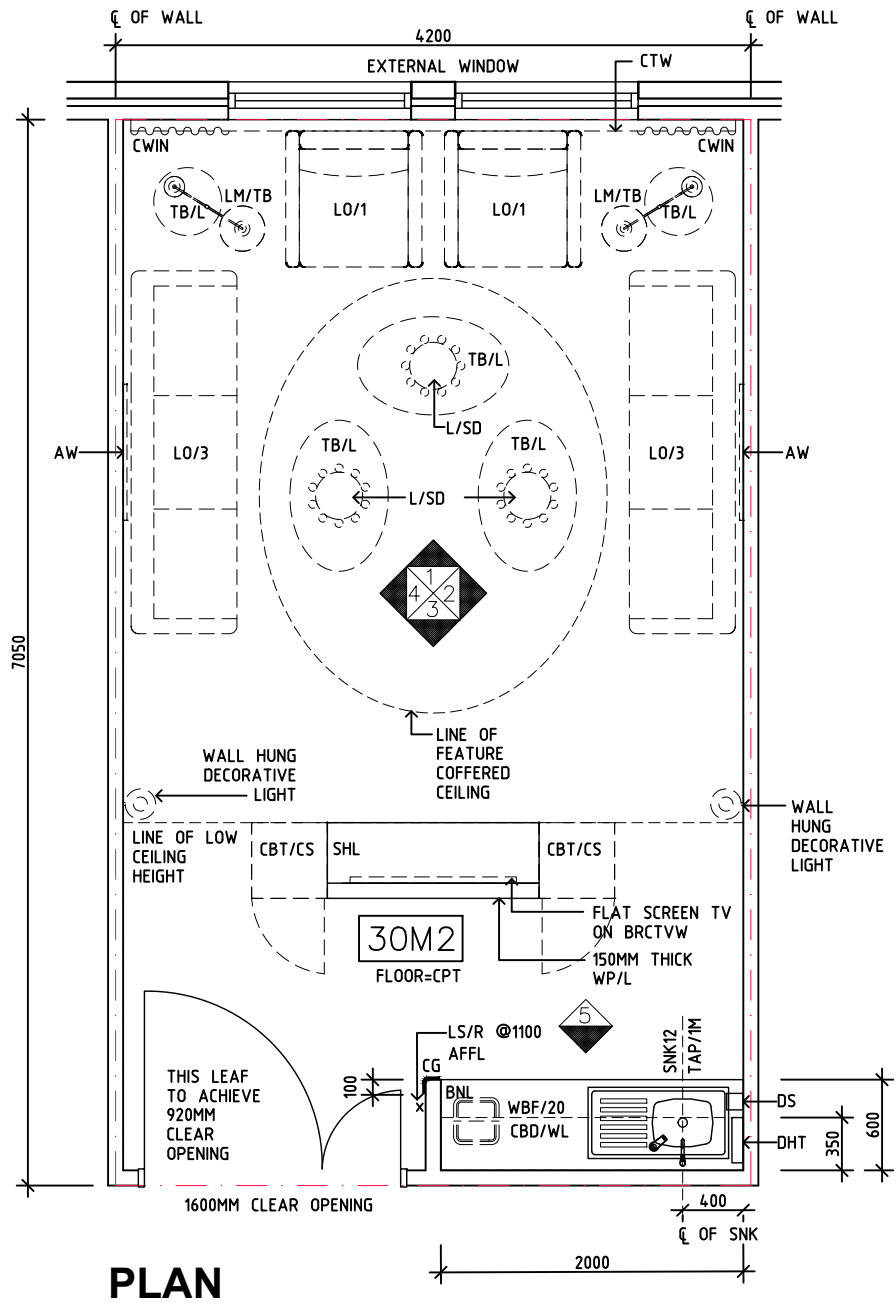
RLS Room Code

maj-30-i

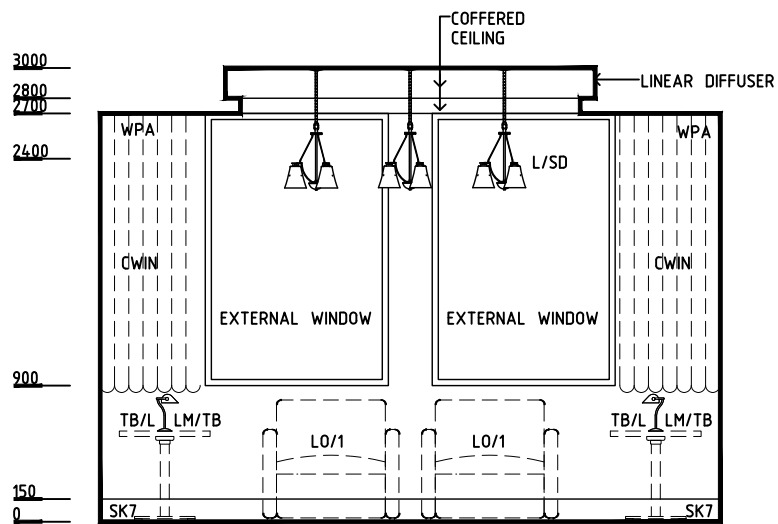
RDS Room Code

maj-30-i

- AS ADJUSTABLE SHELF
- AW ARTWORK
- BH/LM BULKHEAD - LAMINATE
- BNL BENCH - LAMINATE
- BRCTVW BRACKET - TELEVISION, WALL MOUNTED
- CBT/CS CABINET - COAT/SHOE VALET
- CBD/DL CUPBOARD - DRAWER UNIT, LOCKABLE
- CBD/UBL CUPBOARD - UNDER BENCH, LOCKABLE
- CBD/WL CUPBOARD - WALL MOUNTED, LOCKABLE
- CG CORNER GAURD
- COM/2 COMMUNICATION OUTLET - DOUBLE
- CPT CARPET
- CTW CURTAIN TRACK - WINDOW
- CWIN CURTAIN - WINDOW
- DHT DISPENSER - HAND TOWEL
- DSA DISPENSER - SOAP
- COM/IPTV COMMUNICATION OUTLET - INTERNET PROTOCOL TELEVISION
- L/SD LIGHT - SPECIAL, DECORATIVE
- LM/TB LAMP/TABLE
- LO/1 LOUNGE - 1 SEAT
- LO/3 LOUNGE - 3 SEAT
- LS/R LIGHT SWITCH - ROOM
- PO/1 POWER OUTLET - SINGLE
- PO/2 POWER OUTLET - DOUBLE
- PO/C POWER OUTLET - CLEANER'S
- SBK SPLASHBACK
- SHL SHELF - LAMINATED
- SNK12 SINK WITH DRAINER, SINGLE
- SK7 TIMBER SKIRTING
- TAP/1M TAPWARE - SINGLE MIXER
- TB/L TABLE - LOW
- WBF/20 WASTE BIN - FLIPTOP, 20L
- WP/L WALL PANEL, LAMINATE
- WPA WALL PAPER



**PLAN**



**ELEVATION 1**

REV	DESCRIPTION	DATE	BY	REV	DESCRIPTION	DATE	BY	COMPATIBILITY		
1	FIRST ISSUE	27.01.23	AM							
								<b>iHFG</b>		
<b>iHFG</b> International Health Facility Guidelines		International Health Facility Guidelines at: www.healthdesign.com.au/iHFG Editable version of Standard Components on Health Facility Briefing System (HFBS) at: www.healthdesign.com.au ©TAHPI				DESIGNED	APPROVED	DATE	SCALE(S)	SHEET
						AM	SA	27.01.23	1:50 in A3	1 OF 3
						CAD FILE NAME	PAPER DRAWING ID		ISSUE	
						maj-30-i	maj-30-i-1		1	

# iHFG Standard Components

Room Layout Sheet

Room Name **Majlis**

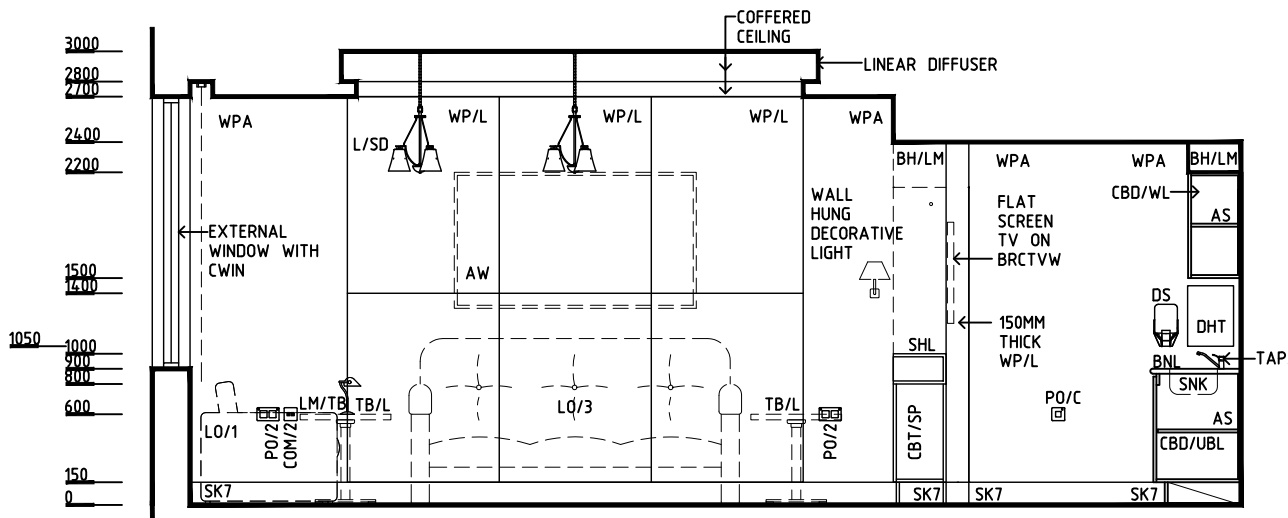
RLS Room Code

maj-30-i

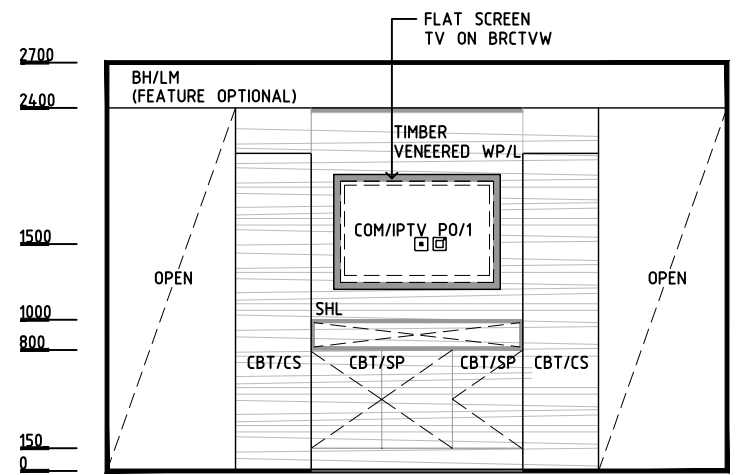
RDS Room Code

maj-30-i

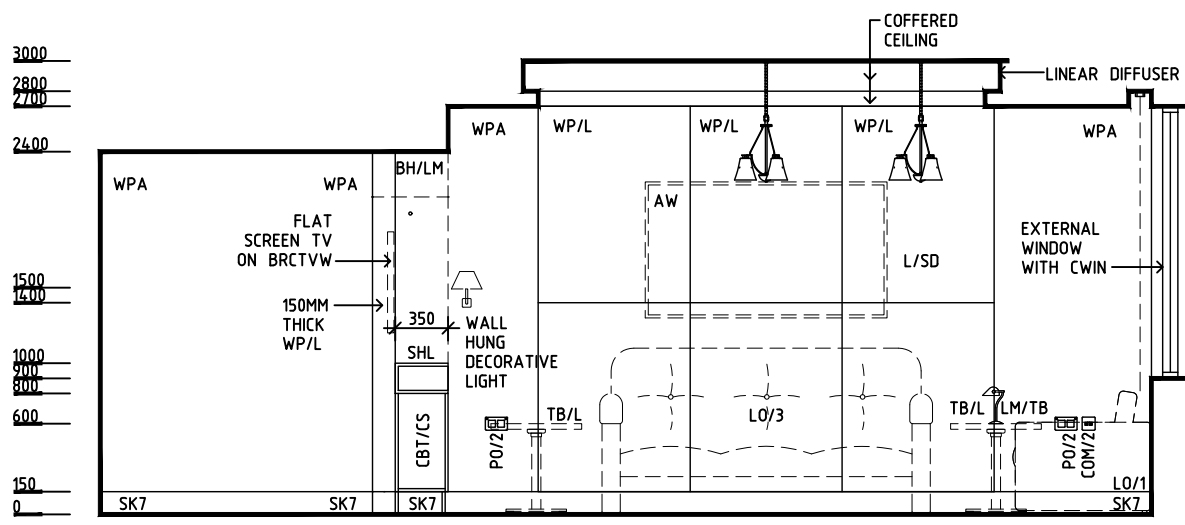
AS	ADJUSTABLE SHELF
AW	ARTWORK
BH/LM	BULKHEAD - LAMINATE
BNL	BENCH - LAMINATE
BRCTVW	BRACKET - TELEVISION, WALL MOUNTED
CBT/CS	CABINET - COAT/SHOE VALET
CBD/DL	CUPBOARD - DRAWER UNIT, LOCKABLE
CBD/UBL	CUPBOARD - UNDER BENCH, LOCKABLE
CBD/WL	CUPBOARD - WALL MOUNTED, LOCKABLE
CG	CORNER GAURD
COM/2	COMMUNICATION OUTLET - DOUBLE
CPT	CARPET
CTW	CURTAIN TRACK - WINDOW
CWIN	CURTAIN - WINDOW
DHT	DISPENSER - HAND TOWEL
DSA	DISPENSER - SOAP
COM/IPTV	COMMUNICATION OUTLET - INTERNET PROTOCOL TELEVISION
L/SD	LIGHT - SPECIAL, DECORATIVE
LM/TB	LAMP/TABLE
LO/1	LOUNGE - 1 SEAT
LO/3	LOUNGE - 3 SEAT
LS/R	LIGHT SWITCH - ROOM
PO/1	POWER OUTLET - SINGLE
PO/2	POWER OUTLET - DOUBLE
PO/C	POWER OUTLET - CLEANER'S
SBK	SPLASHBACK
SHL	SHELF - LAMINATED
SNK12	SINK WITH DRAINER, SINGLE
SK7	TIMBER SKIRTING
TAP/1M	TAPWARE - SINGLE MIXER
TB/L	TABLE - LOW
WBF/20	WASTE BIN - FLIPTOP, 20L
WP/L	WALL PANEL, LAMINATE
WPA	WALL PAPER



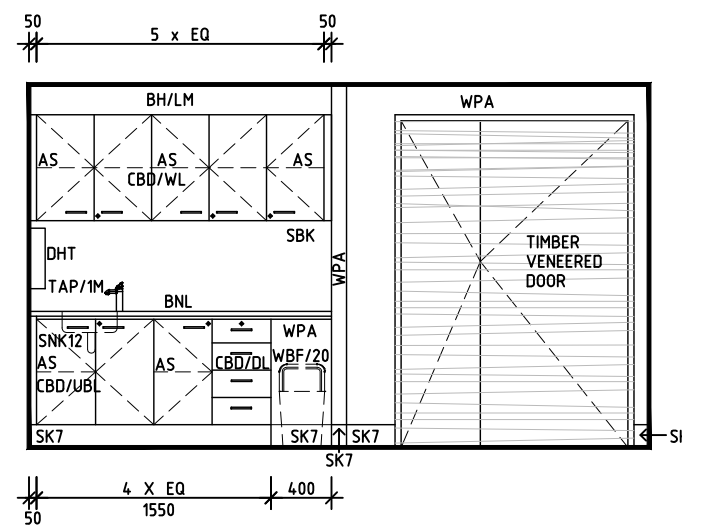
**ELEVATION 2**



**ELEVATION 3**



**ELEVATION 4**



**ELEVATION 5**

REV	DESCRIPTION	DATE	BY	REV	DESCRIPTION	DATE	BY	COMPATIBILITY
1	FIRST ISSUE	27.01.23	AM					

	International Health Facility Guidelines at: <a href="http://www.healthdesign.com.au/iHFG">www.healthdesign.com.au/iHFG</a> Editable version of Standard Components on Health Facility Briefing System (HFBS) at: <a href="http://www.healthdesign.com.au/TAHPI">www.healthdesign.com.au/TAHPI</a>		DESIGNED	APPROVED	DATE	SCALE(S)	SHEET
	AM		SA	27.01.23	1:50 in A3	2 OF 3	
			CAD FILE NAME	PAPER DRAWING ID		ISSUE	
			maj-30-i	maj-30-i-2		1	

# iHFG Standard Components

Room Layout Sheet

Room Name **Majlis**

RLS Room Code

maj-30-i

RDS Room Code

maj-30-i

**GENERAL NOTES:**

THIS DRAWING TO BE READ IN CONJUNCTION WITH R.D.S. (ROOM DATA SHEETS) WHICH TAKES PRECEDENCE.

ALL SERVICES INDICATED ARE INDICATIVE AND SUBJECTED TO DETAILED PROJECT SPECIFIC ENGINEERING DESIGN.

**CEILING LEGEND:**

BH/PB BULKHEAD - PLASTERBOARD, PAINT FINISH  
 PB PLASTERBOARD FLUSH SET CEILING, PAINT  
 PC3 PLASTERBOARD SQUARE SET CORNICE

CEILING TYPE  
 HEIGHT ABOVE F.F.L.

**ELECTRICAL LEGEND:**

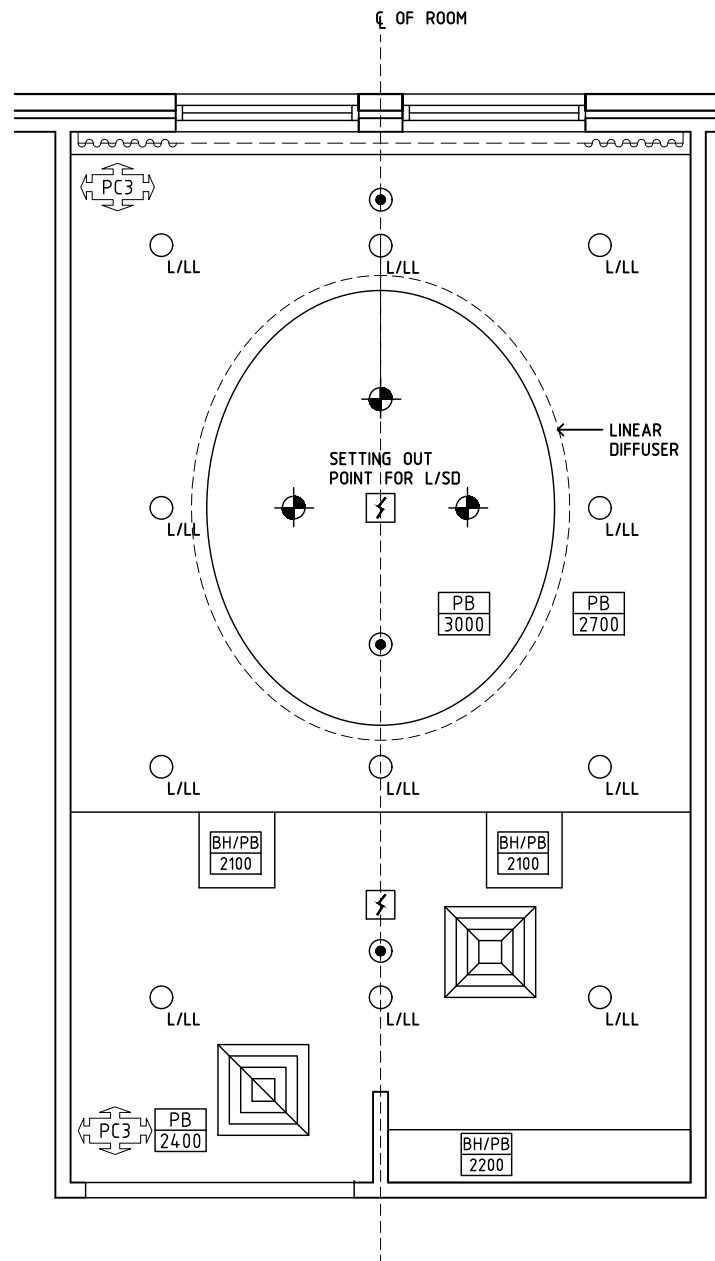
LIGHT - LED LIGHT

**MECHANICAL LEGEND:**

SUPPLY AIR GRILLE  
 RETURN AIR GRILLE

**FIRE SERVICES LEGEND:**

SMOKE DETECTOR  
 SPRINKLER



REV	DESCRIPTION	DATE	BY	REV	DESCRIPTION	DATE	BY	COMPATIBILITY																				
1	FIRST ISSUE	27.01.23	AM																									
		International Health Facility Guidelines		International Health Facility Guidelines at: www.healthdesign.com.au/iHFG Editable version of Standard Components on Health Facility Briefing System (HFBS) at: www.healthdesign.com.au ©TAHPI				<table border="1"> <tr> <th>DESIGNED</th> <th>APPROVED</th> <th>DATE</th> <th>SCALE(S)</th> <th>SHEET</th> </tr> <tr> <td>AM</td> <td>SA</td> <td>27.01.23</td> <td>1:50 in A3</td> <td>3 OF 3</td> </tr> <tr> <td colspan="2">CAD FILE NAME</td> <td colspan="2">PAPER DRAWING ID</td> <td>ISSUE</td> </tr> <tr> <td colspan="2">maj-30-i</td> <td colspan="2">maj-30-i-3</td> <td>1</td> </tr> </table>	DESIGNED	APPROVED	DATE	SCALE(S)	SHEET	AM	SA	27.01.23	1:50 in A3	3 OF 3	CAD FILE NAME		PAPER DRAWING ID		ISSUE	maj-30-i		maj-30-i-3		1
DESIGNED	APPROVED	DATE	SCALE(S)	SHEET																								
AM	SA	27.01.23	1:50 in A3	3 OF 3																								
CAD FILE NAME		PAPER DRAWING ID		ISSUE																								
maj-30-i		maj-30-i-3		1																								

This document is for advisory purpose only