

iHFG Standard Components

Room Layout Sheet

Room Name **Medication/ Treatment Room - Mental Health**

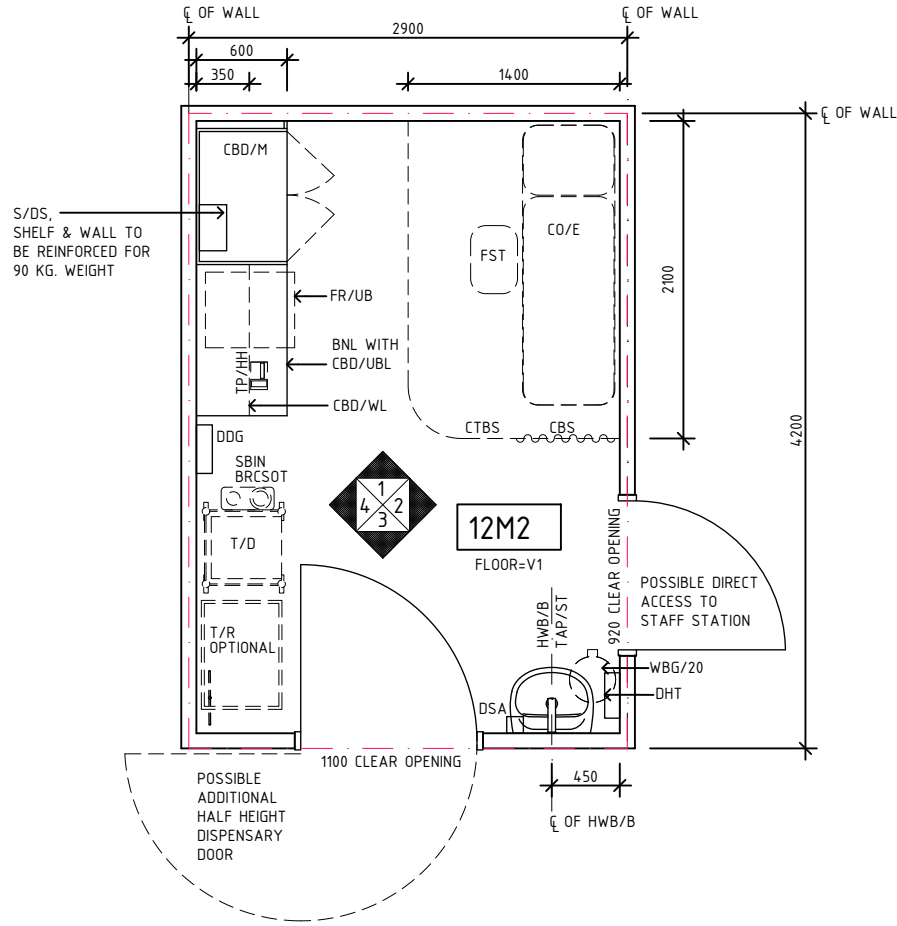
RLS Room Code

med-mh-i

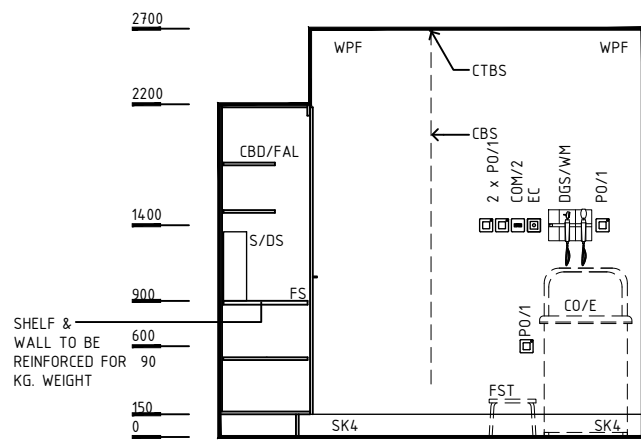
RDS Room Code

med-mh-i

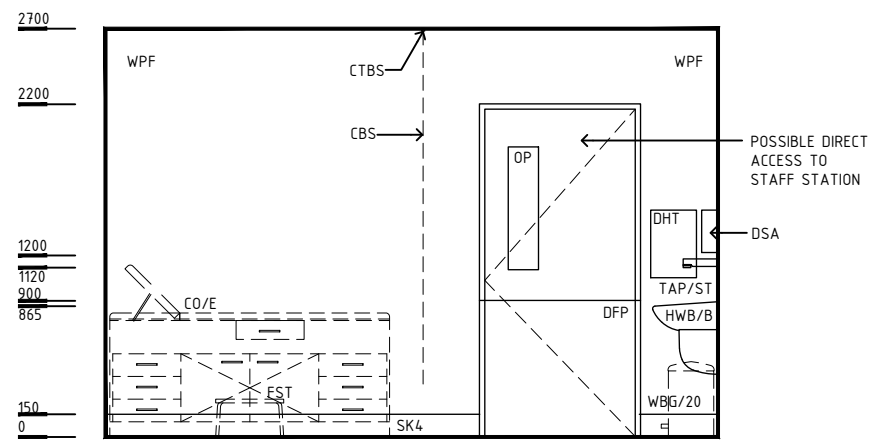
- AS ADJUSTABLE SHELF
- BH/PB BULKHEAD - PLASTERBOARD, PAINT FINISH
- BNL BENCH - LAMINATE
- BRCST BRACKET - SHARPS ON TROLLEY
- CBD/M CUPBOARD - MEDICATION, LOCKABLE
- CBD/UBL CUPBOARD - UNDER BENCH, LOCKABLE
- CBD/WL CUPBOARD - WALL MOUNTED, LOCKABLE
- CBS CURTAIN - BED SCREEN
- CO/E COUCH - EXAMINATION
- COM/2 COMMUNICATION OUTLET - DOUBLE
- CTBS CURTAIN TRACK - BED SCREEN
- DA DURESS ALARM
- DDG DISPENSER - DISPOSABLE GLOVES
- DGS/WM DIAGNOSTIC SET - WALL MOUNTED
- DHT DISPENSER - HAND TOWEL
- DFP DOOR & DOOR FRAME PROTECTION
- DSA DISPENSER - SOAP, ANTISEPTIC
- EC EMERGENCY CALL
- FR/UB FRIDGE - UNDER BENCH
- FS FIXED SHELVES
- FST FOOTSTOOL
- HWB/B HAND WASH BASIN - TYPE 'B'
- L/PT LIGHT - PELMET TASK LIGHT
- LS/P LIGHT SWITCH - PELMET TASK LIGHT
- LS/R LIGHT SWITCH - ROOM
- OP OBSERVATION PANEL
- PO/1 POWER OUTLET - SINGLE
- PO/2 POWER OUTLET - DOUBLE
- PO/2E POWER OUTLET - EMERGENCY, DOUBLE
- PO/C POWER OUTLET - CLEANER'S
- S/DS SAFE - DANGEROUS DRUG, SMALL
- SBIN SHARPS BIN
- SBK SPLASHBACK
- SK4 FLOOR VINYL COVERED SKIRTING
- T/D TROLLEY - DRESSING
- T/R TROLLEY - RESUSCITATION
- TAP/ST TAPWARE - SENSOR TAP
- TP/HH TELEPHONE - HANDSET, HANDSFREE
- V1 VINYL FLOORING, STANDARD SLIP RESISTANT
- WBG/20 WASTE BIN - GENERAL, 20 LITRE
- WPF WALL PAINT FINISH



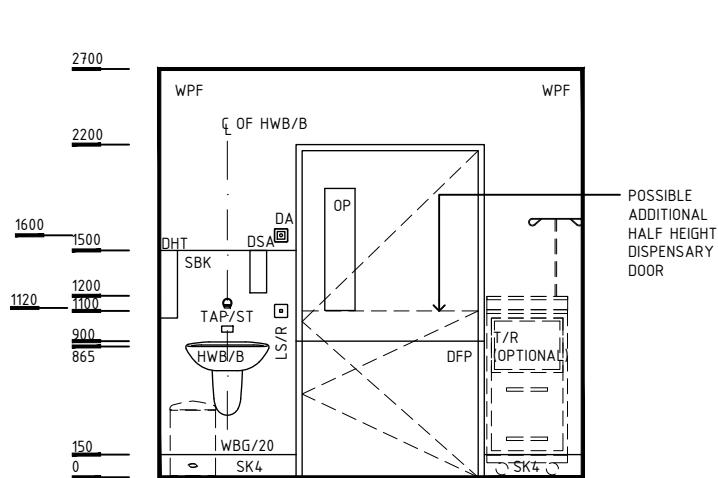
PLAN



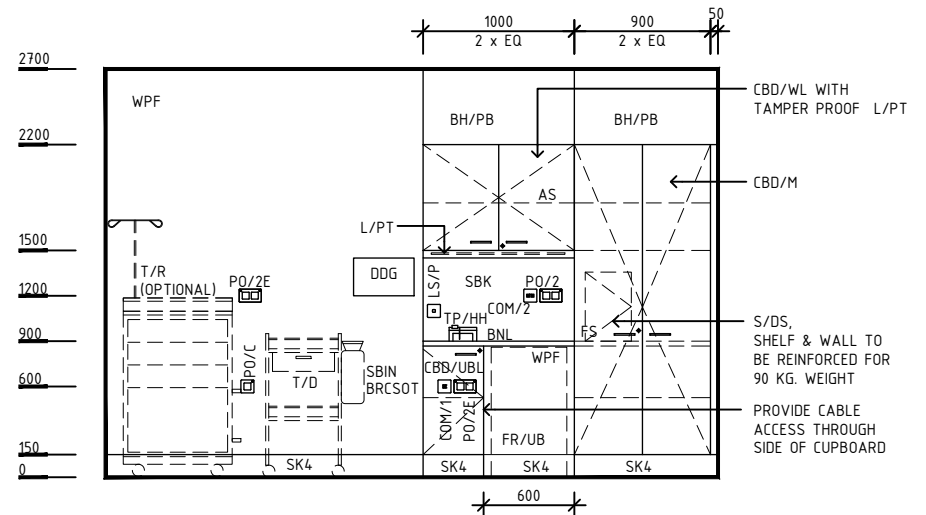
ELEVATION 1



ELEVATION 2



ELEVATION 3



ELEVATION 4

REV	DESCRIPTION	DATE	BY	REV	DESCRIPTION	DATE	BY	COMPATIBILITY
1	FIRST ISSUE	24.10.10	LL	4	GENERAL REVISION	18.10.22	BV	
2	GENERAL REVISION	30.08.11	ASD					
3	GENERAL REVISION	31.10.12	KC					



International Health Facility Guidelines at:
www.healthdesign.com.au/iHFG
 Editable version of Standard Components on
 Health Facility Briefing System (HFBS) at:
www.healthdesign.com.au/TAHPI



DESIGNED	APPROVED	DATE	SCALE(S)	SHEET
BV	DB	18.10.22	1:50 in A3	1 OF 2
CAD FILE NAME		PAPER DRAWING ID		ISSUE
med-mh-i		med-mh-i-1		4

This document is for advisory purpose only

iHFG Standard Components

Room Layout Sheet

Room Name **Medication/ Treatment Room - Mental Health**

RLS Room Code

med-mh-i

RDS Room Code

med-mh-i

GENERAL NOTES:

THIS DRAWING TO BE READ IN CONJUNCTION WITH R.D.S. (ROOM DATA SHEETS) WHICH TAKES PRECEDENCE.

ALL SERVICES INDICATED ARE INDICATIVE AND SUBJECTED TO DETAILED PROJECT SPECIFIC ENGINEERING DESIGN.

CEILING LEGEND:

- BH/PB BULKHEAD - PLASTERBOARD, PAINT FINISH
- PB PLASTERBOARD FLUSH SET CEILING, PAINT FINISH
- PC3 PLASTER BOARD SQUARE SET CORNICE

- PB ← CEILING TYPE
- 2700 ← HEIGHT ABOVE F.F.L.

ELECTRICAL LEGEND:

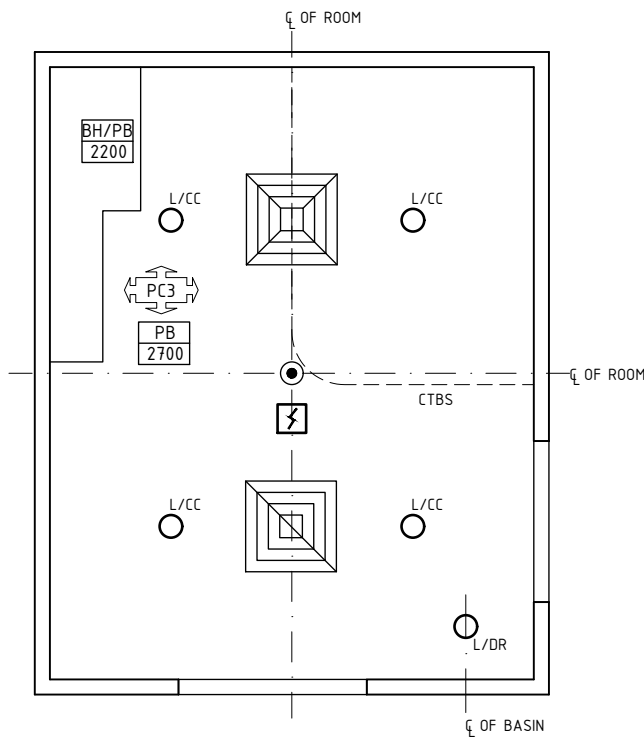
- L/CC LIGHT - COLOUR CORRECTED, TAMPER PROOF
- L/DR LIGHT - DOWNLIGHT, RECESSED, TAMPER PROOF

MECHANICAL LEGEND:

- SUPPLY AIR GRILLE, TAMPER PROOF
- RETURN AIR GRILLE, TAMPER PROOF

FIRE SERVICES LEGEND:

- SMOKE DETECTOR, TAMPER PROOF
- SPRINKLER, TAMPER PROOF



REFLECTED CEILING PLAN

REV	DESCRIPTION	DATE	BY	REV	DESCRIPTION	DATE	BY	COMPATIBILITY
1	FIRST ISSUE	24.10.10	LL	4	GENERAL REVISION	18.10.22	BV	
2	GENERAL REVISION	30.08.11	ASD					
3	GENERAL REVISION	31.10.12	KC					

DESIGNED	APPROVED	DATE	SCALE(S)	SHEET
BV	DB	18.10.22	1:50 in A3	2 OF 2
CAD FILE NAME		PAPER DRAWING ID		ISSUE
med-mh-i		med-mh-i-2		4

This document is for advisory purpose only