

# iHFG Standard Components

## Room Layout Sheet

Room Name **Mortuary - Body Washing & Embalming Room**

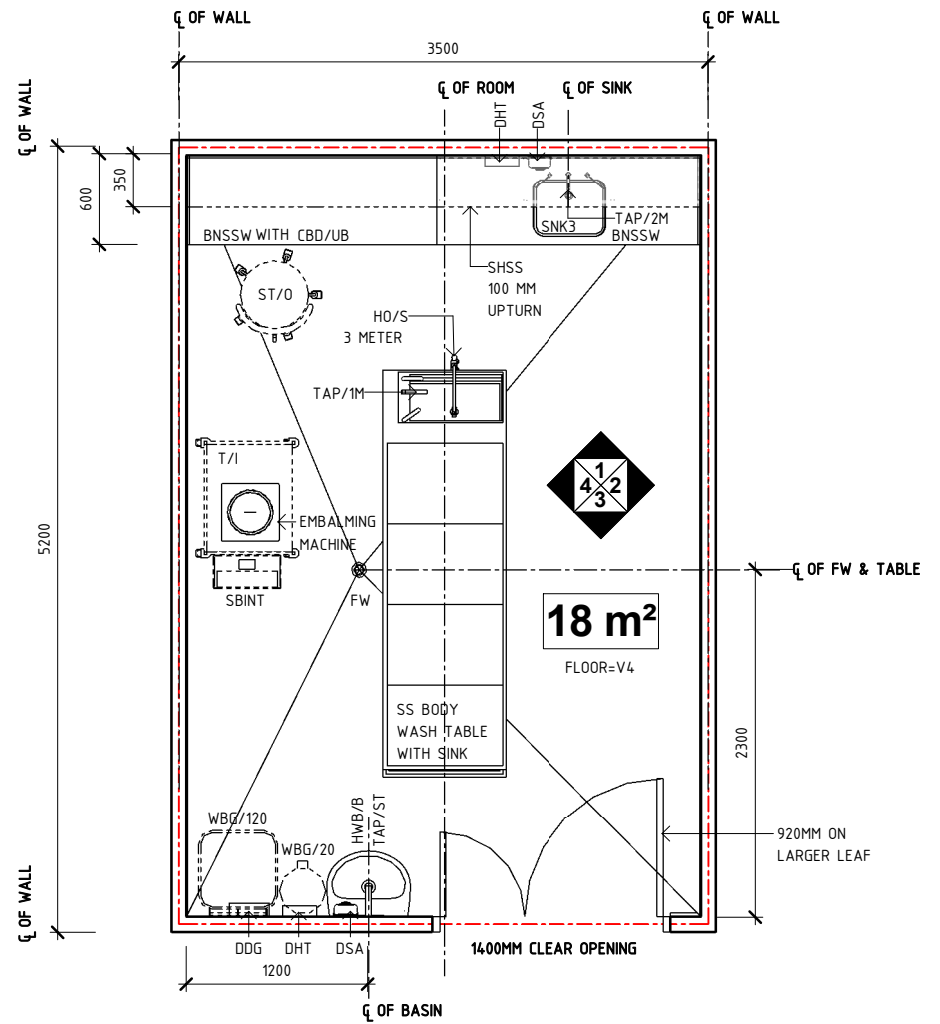
RLS Room Code

mor-bw-i

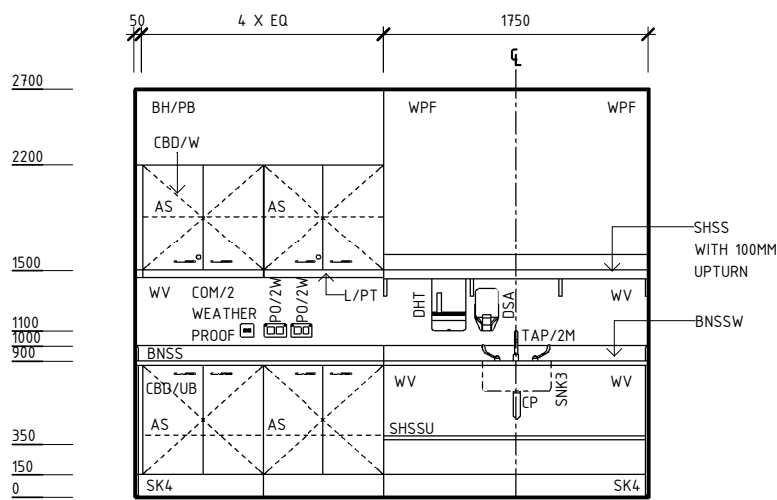
RDS Room Code

mor-bw-i

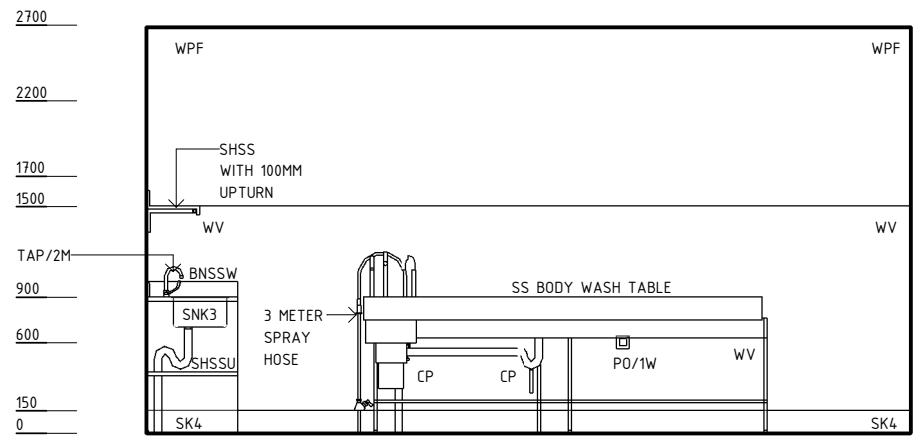
- AS ADJUSTABLE SHELF
- BH/PB BULKHEAD - PLASTERBOARD, PAINT FINISH
- BNSS BENCH - STAINLESS STEEL
- BNSSW BENCH - STAINLESS STEEL, WET EDGE
- CBD/UB CUPBOARD - UNDER BENCH
- CBD/W CUPBOARD - WALL MOUNTED
- COM/2 COMMUNICATION OUTLET - DOUBLE
- CP CHROME PLATED
- DDG DISPENSER - DISPOSABLE GLOVES
- DFP DOOR AND DOOR FRAME PROTECTION
- DHT DISPENSER - PAPER HAND TOWEL
- DSA DISPENSER - SOAP, ANTISEPTIC
- FW FLOOR WASTE
- HO/S HOSE - SPRAY
- HWB/B HAND WASH BASIN - TYPE 'B'
- L/PT LIGHT - PELMET TASK LIGHT
- LS/P LIGHT SWITCH - PELMET TASK LIGHT
- LS/R LIGHT SWITCH - ROOM
- PO/1W POWER OUTLET - SINGLE, WEATHERPROOF
- PO/2W POWER OUTLET - DOUBLE, WEATHERPROOF
- SBINT SHARPS BIN - ON TROLLEY
- SHSS SHELF - STAINLESS STEEL
- SHSSU SHELF - STAINLESS STEEL, UNDER BENCH
- SK4 FLOOR VINYL COVERED SKIRTING
- SNK3 SINK - 450x450x300D
- SS STAINLESS STEEL
- ST/O STOOL - OPERATING, MOBILE
- T/I TROLLEY - INSTRUMENT
- TAP/1M TAPWARE - SINGLE MIXER
- TAP/2M TAPWARE - DUAL MIXER
- TAP/ST TAPWARE - SENSOR TAP
- V4 VINYL FLOORING, NON SLIP - SAFETY
- WBG/20 WASTE BIN - GENERAL, 20 LITRE
- WBG/120 WASTE BIN - GENERAL, 120 LITRE
- WPF WALL PAINT FINISH
- WV WALL VINYL



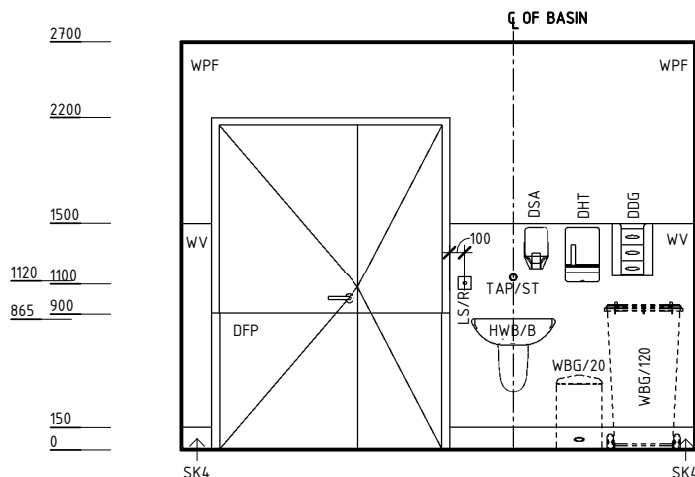
**PLAN**



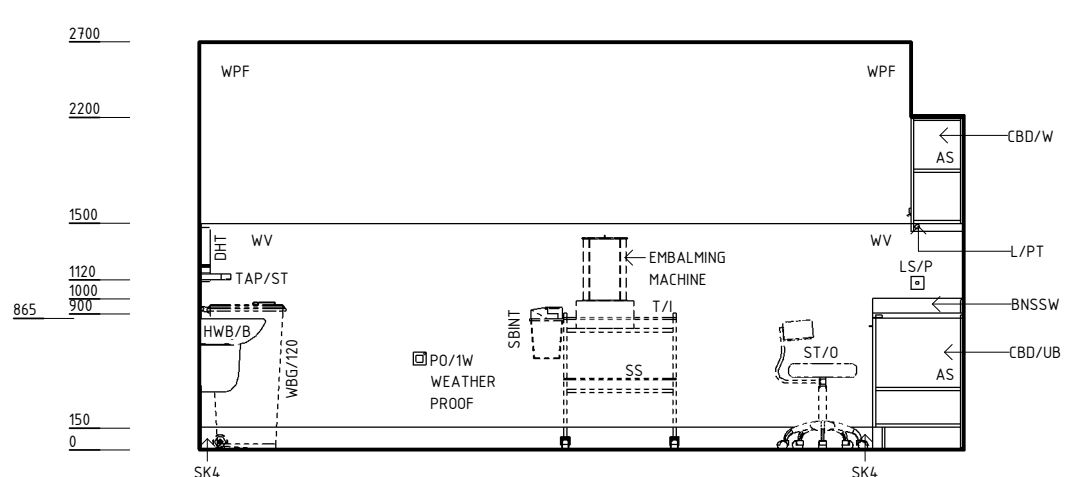
**ELEVATION 1**



**ELEVATION 2**



**ELEVATION 3**



**ELEVATION 4**

REV	DESCRIPTION	DATE	BY	REV	DESCRIPTION	DATE	BY	COMPATIBILITY																				
1	FIRST ISSUE	27.01.23	SS					iHFG																				
								<table border="1"> <thead> <tr> <th>DESIGNED</th> <th>APPROVED</th> <th>DATE</th> <th>SCALE(S)</th> <th>SHEET</th> </tr> </thead> <tbody> <tr> <td>SS</td> <td>RH</td> <td>27.01.23</td> <td>1 : 50</td> <td>1 OF 2</td> </tr> <tr> <td colspan="2">REVIT FILE NAME</td> <td colspan="2">PAPER DRAWING ID</td> <td>ISSUE</td> </tr> <tr> <td colspan="2">mor-bw-i</td> <td colspan="2">mor-bw-i-1</td> <td>1</td> </tr> </tbody> </table>	DESIGNED	APPROVED	DATE	SCALE(S)	SHEET	SS	RH	27.01.23	1 : 50	1 OF 2	REVIT FILE NAME		PAPER DRAWING ID		ISSUE	mor-bw-i		mor-bw-i-1		1
DESIGNED	APPROVED	DATE	SCALE(S)	SHEET																								
SS	RH	27.01.23	1 : 50	1 OF 2																								
REVIT FILE NAME		PAPER DRAWING ID		ISSUE																								
mor-bw-i		mor-bw-i-1		1																								

# iHFG Standard Components

## Room Layout Sheet

RLS Room Code

mor-bw-i

Room Name

Mortuary - Body Washing & Embalming Room

RDS Room Code

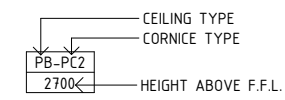
mor-bw-i

### GENERAL NOTES:

THIS DRAWING TO BE READ IN CONJUNCTION WITH R.D.S. (ROOM DATA SHEETS) WHICH TAKES PRECEDENCE.

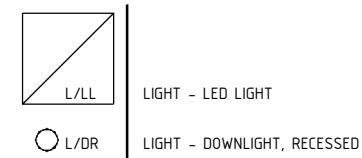
ALL SERVICES INDICATED ARE INDICATIVE AND SUBJECTED TO DETAILED PROJECT SPECIFIC ENGINEERING DESIGN.

### CEILING LEGEND:

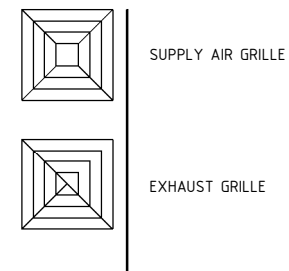


BH/WPB BULKHEAD - WATER RESISTANT PLASTERBOARD, PAINT FINISH  
 WPT-PC4 PLASTERBOARD WATER RESISTANT, DROP IN TILES - SHADOW ANGLE, POWDERCOAT ALUMINIUM CORNICE  
 --- GRID LINE

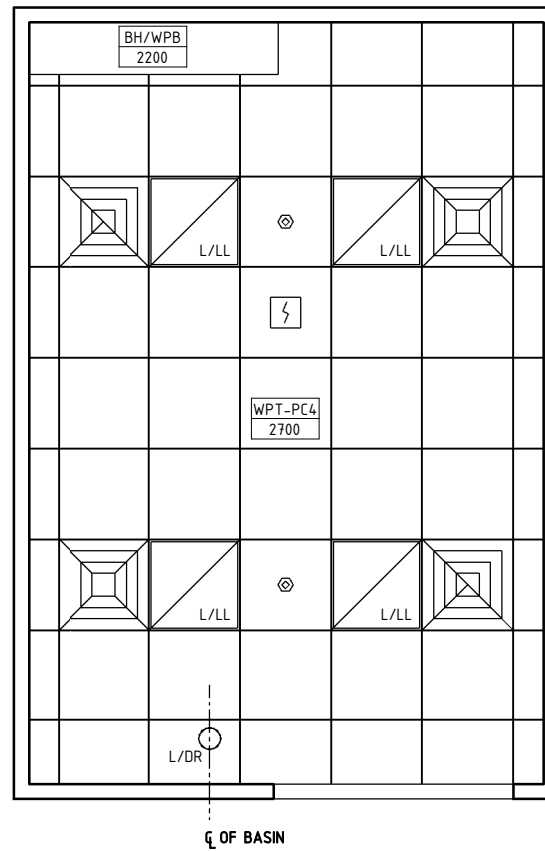
### ELECTRICAL LEGEND:



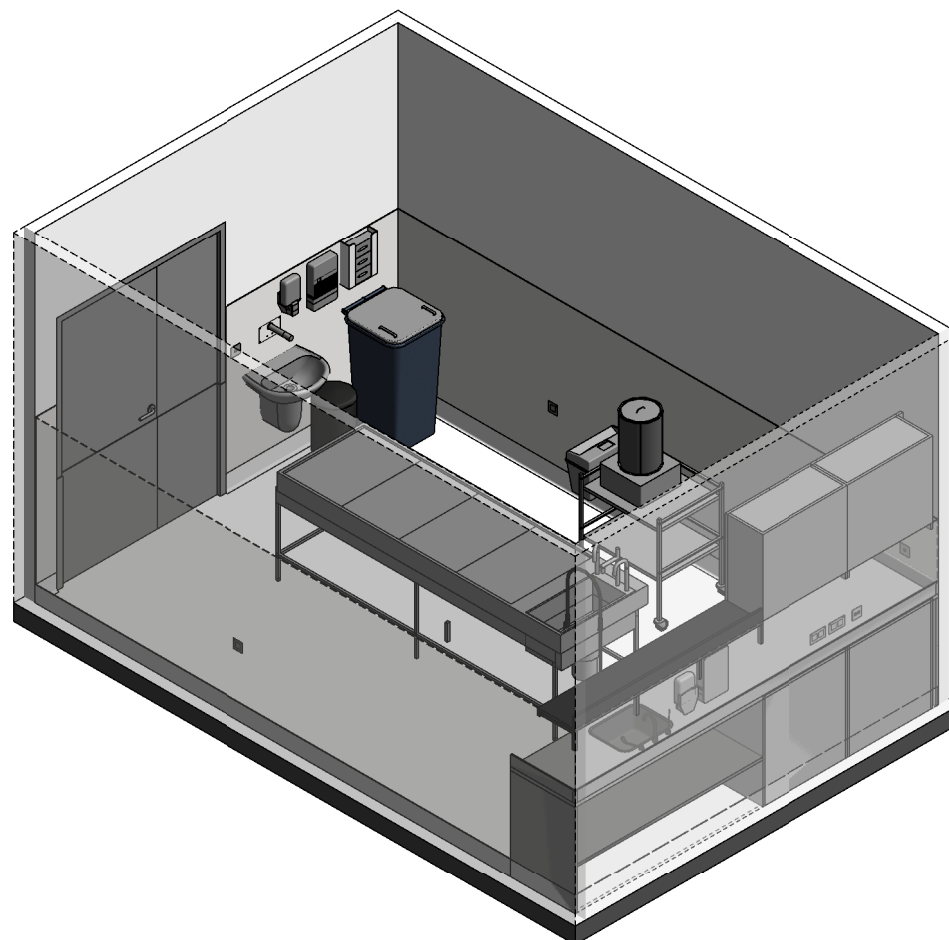
### MECHANICAL LEGEND:



### FIRE SERVICES LEGEND:



**REFLECTED CEILING PLAN**



**ISOMETRIC VIEW 01**

REV	DESCRIPTION	DATE	BY	REV	DESCRIPTION	DATE	BY	COMPATIBILITY																				
1	FIRST ISSUE	27.01.23	SS					iHFG																				
								<table border="1"> <tr> <td>DESIGNED</td> <td>APPROVED</td> <td>DATE</td> <td>SCALE(S)</td> <td>SHEET</td> </tr> <tr> <td>AM</td> <td>SA</td> <td>27.01.23</td> <td>1 : 50</td> <td>2 OF 2</td> </tr> <tr> <td colspan="2">REVIT FILE NAME</td> <td colspan="2">PAPER DRAWING ID</td> <td>ISSUE</td> </tr> <tr> <td colspan="2">mor-bw-i</td> <td colspan="2">mor-bw-i-2</td> <td>1</td> </tr> </table>	DESIGNED	APPROVED	DATE	SCALE(S)	SHEET	AM	SA	27.01.23	1 : 50	2 OF 2	REVIT FILE NAME		PAPER DRAWING ID		ISSUE	mor-bw-i		mor-bw-i-2		1
DESIGNED	APPROVED	DATE	SCALE(S)	SHEET																								
AM	SA	27.01.23	1 : 50	2 OF 2																								
REVIT FILE NAME		PAPER DRAWING ID		ISSUE																								
mor-bw-i		mor-bw-i-2		1																								