

iHFG Standard Components

Room Layout Sheet

RLS Room Code

mor-cs-i

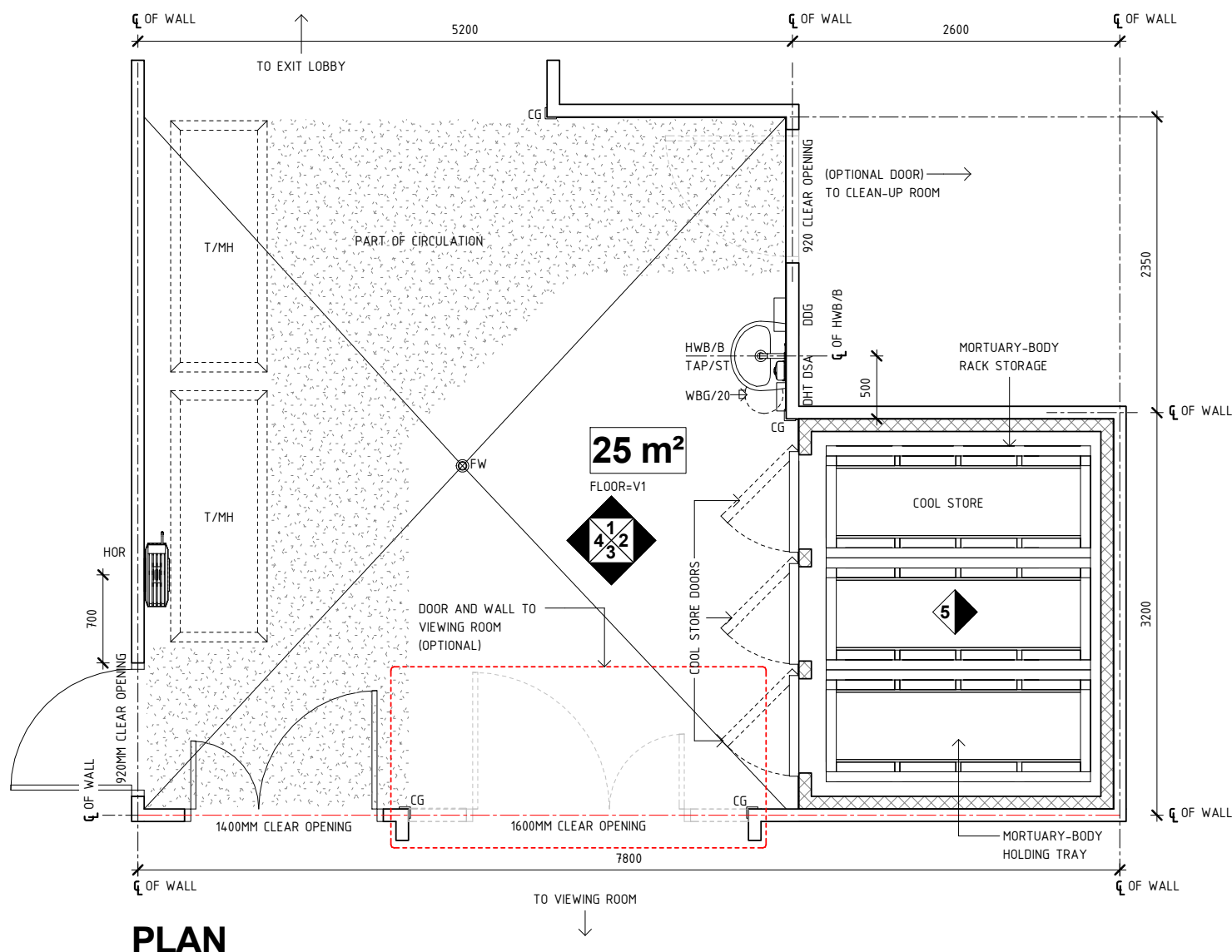
RDS Room Code

mor-cs-i

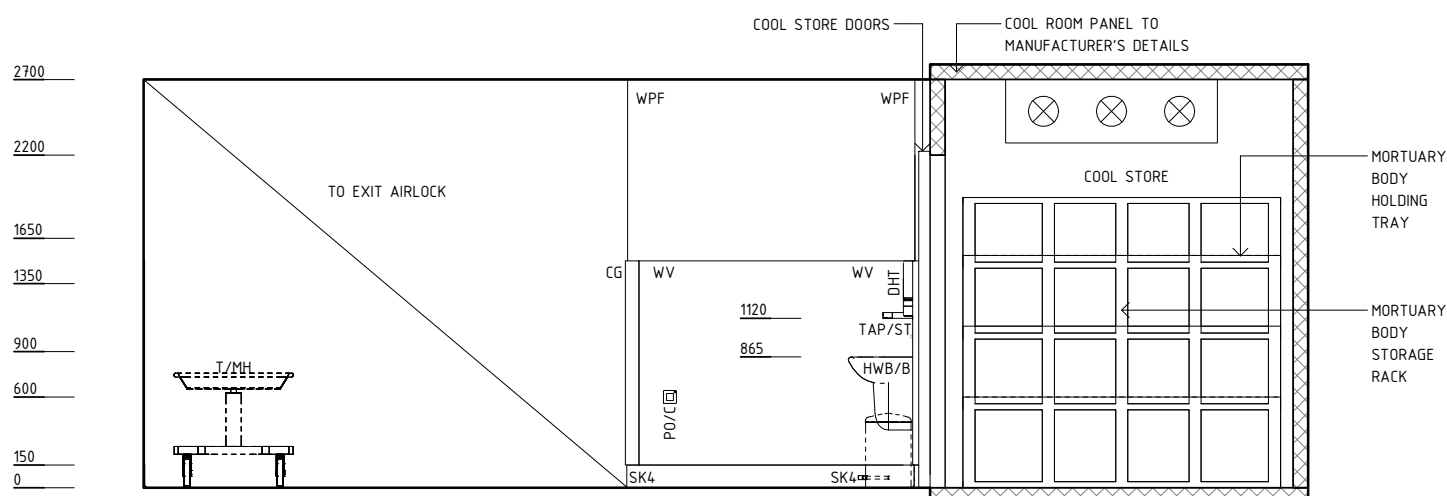
Room Name

Mortuary - Cool Store

CG	CORNER GUARD
DDG	DISPENSER - DISPOSABLE GLOVES
DHT	DISPENSER - PAPER HAND TOWEL
DSA	DISPENSER - SOAP, ANTISEPTIC
FW	FLOOR WASTE
HOR	HOSE REEL, RETRACTABLE
HWB/B	HAND WASH BASIN - TYPE 'B'
PO/C	POWER OUTLET - CLEANER'S
SK4	FLOOR VINYL COVERED SKIRTING
T/MH	TROLLEY - MORTUARY, HYDRAULIC
TAP/ST	TAPWARE - SENSOR TAP
V1	VINYL FLOORING, STANDARD SLIP RESISTANT
WBG/20	WASTE BIN - GENERAL, 20 LITRE
WPF	WALL PAINT FINISH
WV	WALL VINYL



PLAN



ELEVATION 1

REV	DESCRIPTION	DATE	BY	REV	DESCRIPTION	DATE	BY	COMPATIBILITY																				
1	FIRST ISSUE	24.10.10	LL	4	GENERAL REVISION	27.01.23	SS																					
2	GENERAL REVISION	31.08.11	ASD																									
3	GENERAL REVISION	31.10.12	KC																									
<table border="1"> <tr> <td>DESIGNED</td> <td>APPROVED</td> <td>DATE</td> <td>SCALE(S)</td> <td>SHEET</td> </tr> <tr> <td>SS</td> <td>SA</td> <td>27.01.23</td> <td>1 : 50</td> <td>1 OF 3</td> </tr> <tr> <td colspan="2">REVIT FILE NAME</td> <td colspan="2">PAPER DRAWING ID</td> <td>ISSUE</td> </tr> <tr> <td colspan="2">mor-cs-i</td> <td colspan="2">mor-cs-i-1</td> <td>4</td> </tr> </table>								DESIGNED	APPROVED	DATE	SCALE(S)	SHEET	SS	SA	27.01.23	1 : 50	1 OF 3	REVIT FILE NAME		PAPER DRAWING ID		ISSUE	mor-cs-i		mor-cs-i-1		4	
DESIGNED	APPROVED	DATE	SCALE(S)	SHEET																								
SS	SA	27.01.23	1 : 50	1 OF 3																								
REVIT FILE NAME		PAPER DRAWING ID		ISSUE																								
mor-cs-i		mor-cs-i-1		4																								

iHFG International Health Facility Guidelines

International Health Facility Guidelines at:
www.healthdesign.com.au/iHFG
Editable version of Standard Components on
Health Facility Briefing System (HFBS) at:
www.healthdesign.com.au ©TAHPI



iHFG Standard Components

Room Layout Sheet

RLS Room Code

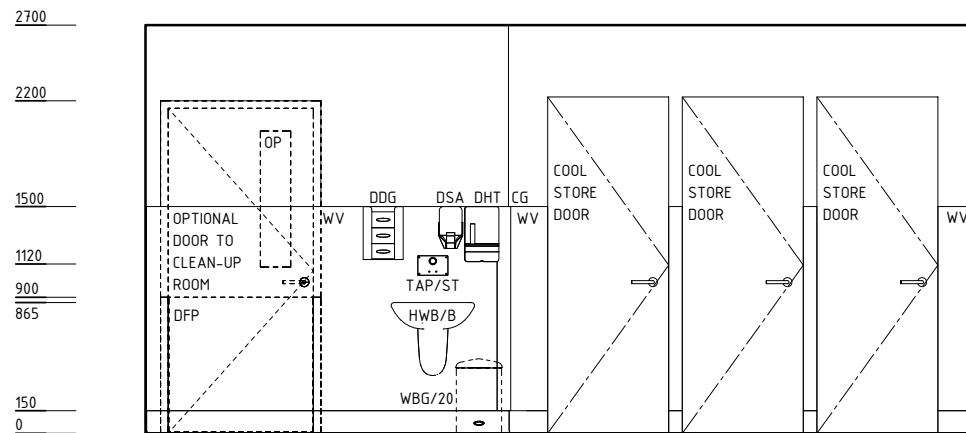
mor-cs-i

RDS Room Code

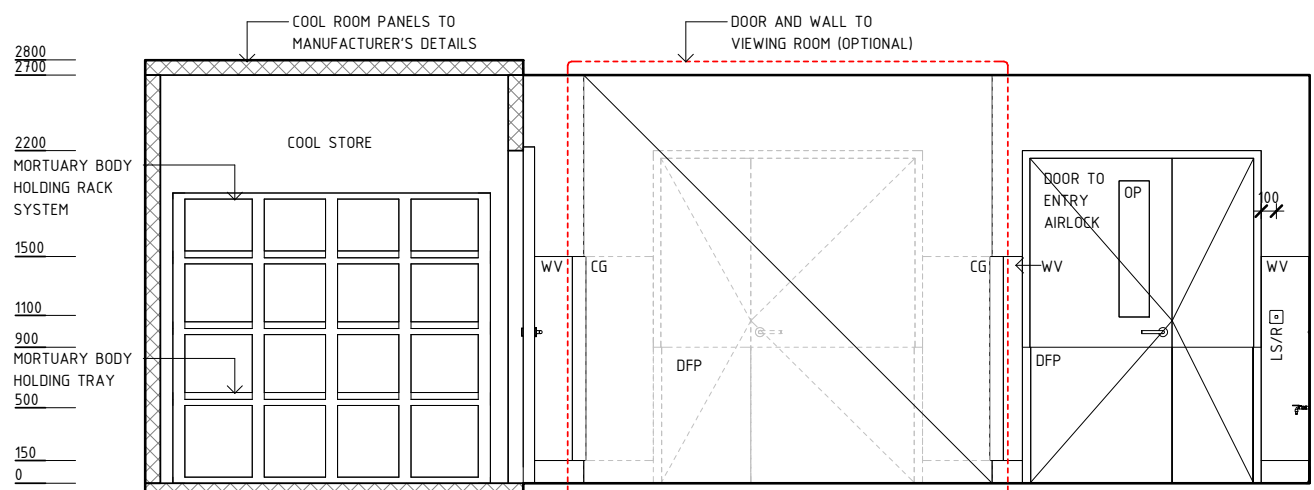
mor-cs-i

Room Name **Mortuary - Cool Store**

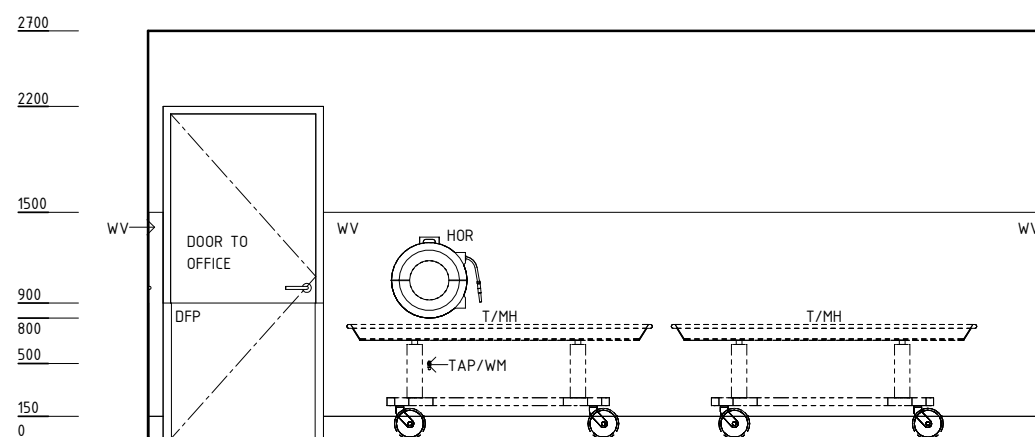
- CG CORNER GUARD
- DDG DISPENSER - DISPOSABLE GLOVES
- DFP DOOR AND DOOR FRAME PROTECTION
- DHT DISPENSER - PAPER HAND TOWEL
- DSA DISPENSER - SOAP, ANTISEPTIC
- HOR HOSE REEL, RETRACTABLE
- HWB/B HAND WASH BASIN - TYPE 'B'
- LS/R LIGHT SWITCH - ROOM
- OP OBSERVATION PANEL
- SK4 FLOOR VINYL COVERED SKIRTING
- T/MH TROLLEY - MORTUARY, HYDRAULIC
- TAP/ST TAPWARE - SENSOR TAP
- TAP/WM TAPWARE - WALL MOUNT
- WBG/20 WASTE BIN - GENERAL, 20 LITRE
- WPF WALL PAINT FINISH
- WV WALL VINYL



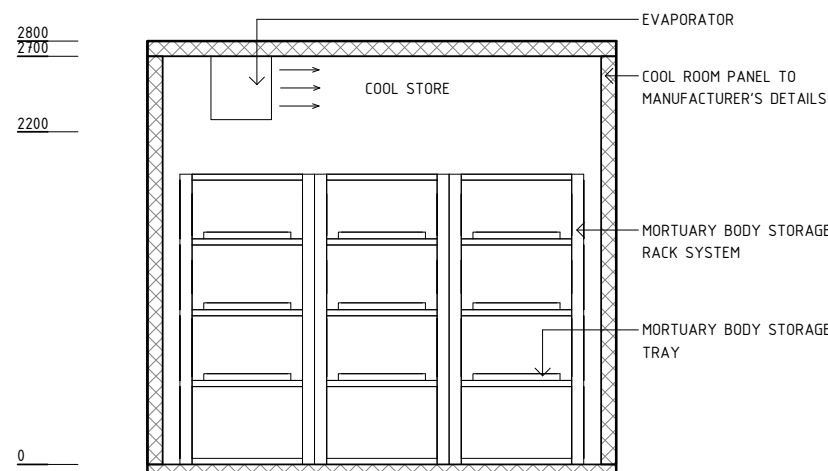
ELEVATION 2



ELEVATION 3



ELEVATION 4



ELEVATION 5

REV	DESCRIPTION	DATE	BY	REV	DESCRIPTION	DATE	BY	COMPATIBILITY																				
1	FIRST ISSUE	24.10.10	LL	4	GENERAL REVISION	27.01.23	SS																					
2	GENERAL REVISION	31.08.11	ASD																									
3	GENERAL REVISION	31.10.12	KC																									
								<table border="1"> <tr> <th>DESIGNED</th> <th>APPROVED</th> <th>DATE</th> <th>SCALE(S)</th> <th>SHEET</th> </tr> <tr> <td>SS</td> <td>SA</td> <td>27.01.23</td> <td>1 : 50</td> <td>2 OF 3</td> </tr> <tr> <th colspan="2">REVIT FILE NAME</th> <th colspan="2">PAPER DRAWING ID</th> <th>ISSUE</th> </tr> <tr> <td colspan="2">mor-cs-i</td> <td colspan="2">mor-cs-i-2</td> <td>4</td> </tr> </table>	DESIGNED	APPROVED	DATE	SCALE(S)	SHEET	SS	SA	27.01.23	1 : 50	2 OF 3	REVIT FILE NAME		PAPER DRAWING ID		ISSUE	mor-cs-i		mor-cs-i-2		4
DESIGNED	APPROVED	DATE	SCALE(S)	SHEET																								
SS	SA	27.01.23	1 : 50	2 OF 3																								
REVIT FILE NAME		PAPER DRAWING ID		ISSUE																								
mor-cs-i		mor-cs-i-2		4																								

iHFG Standard Components

Room Layout Sheet

RLS Room Code

mor-cs-i

RDS Room Code

mor-cs-i

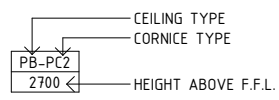
Room Name | Mortuary - Cool Store

GENERAL NOTES:

THIS DRAWING TO BE READ IN CONJUNCTION WITH R.D.S. (ROOM DATA SHEETS) WHICH TAKES PRECEDENCE.

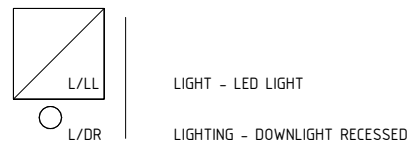
ALL SERVICES INDICATED ARE INDICATIVE AND SUBJECT TO DETAILED PROJECT SPECIFIC ENGINEERING DESIGN.

CEILING LEGEND:

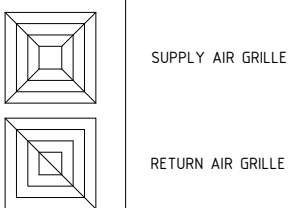


PB/PC3 PLASTERBOARD FLUSH SET CEILING, PAINT FINISH WITH PLASTERBOARD SQUARE SET CORNICE

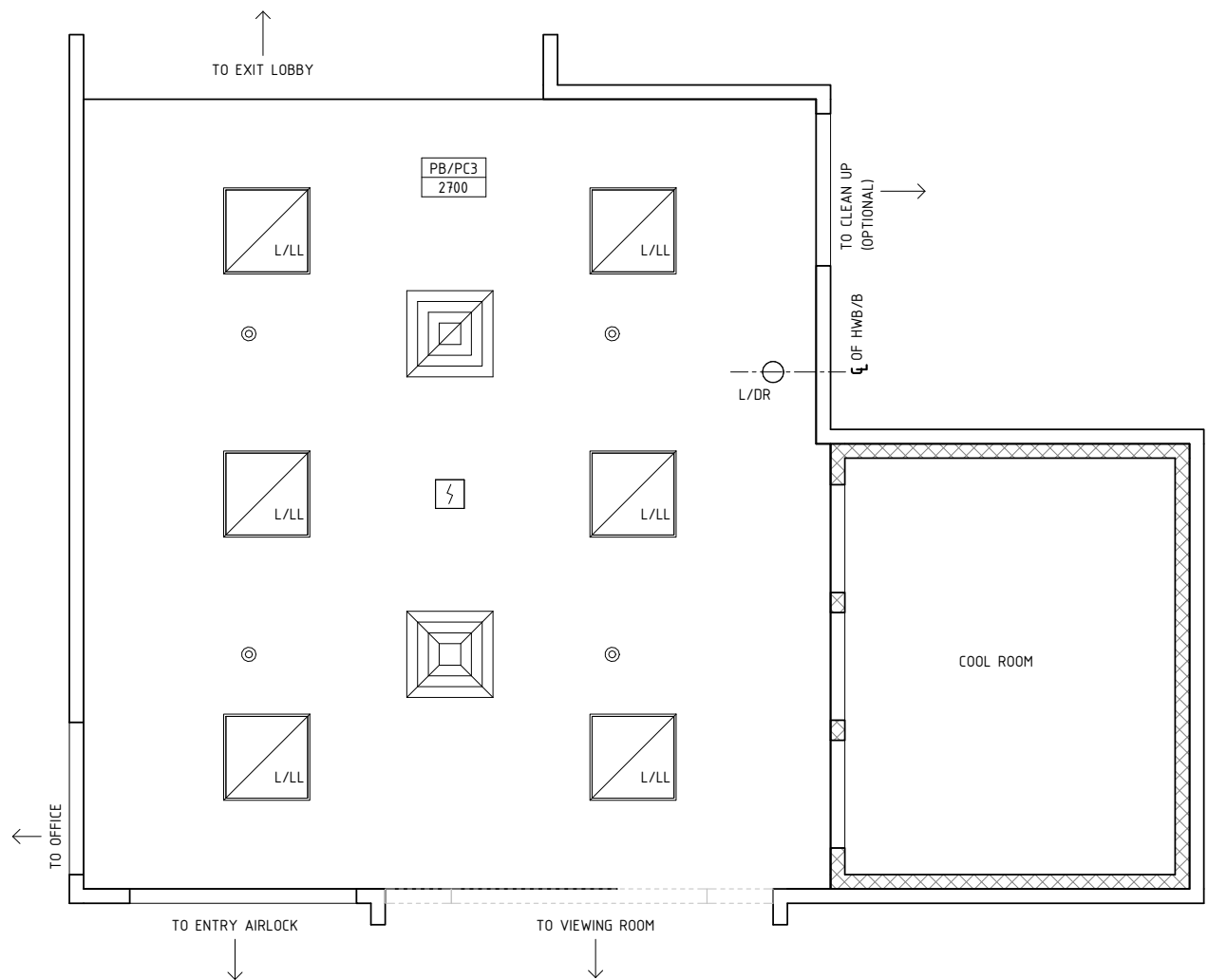
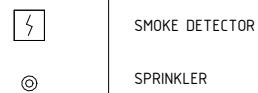
ELECTRICAL LEGEND:



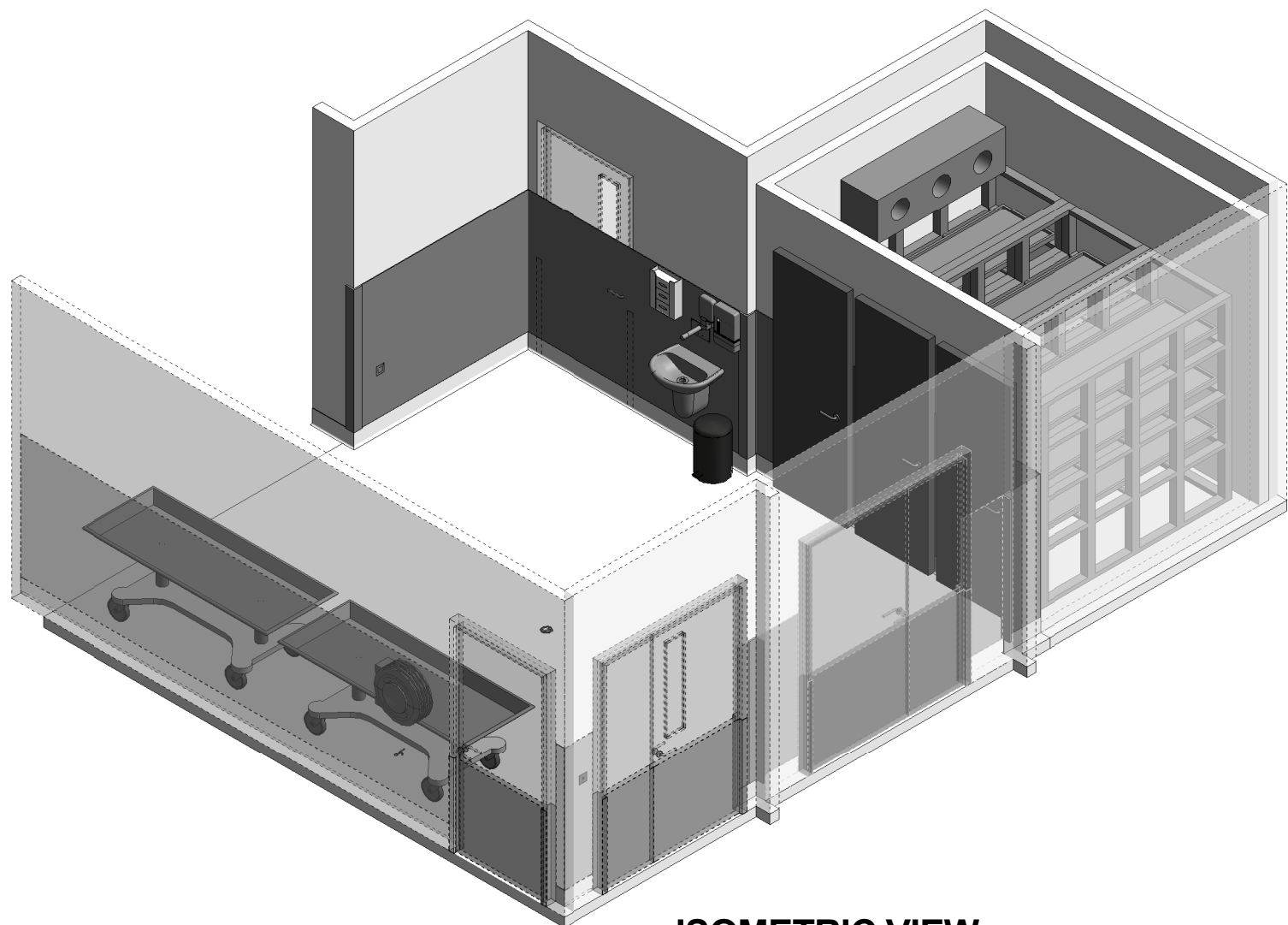
MECHANICAL LEGEND:



FIRE SERVICES LEGEND:



REFLECTED CEILING PLAN



ISOMETRIC VIEW

REV	DESCRIPTION	DATE	BY	REV	DESCRIPTION	DATE	BY	COMPATIBILITY																				
1	FIRST ISSUE	24.10.10	LL	4	GENERAL REVISION	27.01.23	SS																					
2	GENERAL REVISION	31.08.11	ASD																									
3	GENERAL REVISION	31.10.12	KC																									
								<table border="1"> <thead> <tr> <th>DESIGNED</th> <th>APPROVED</th> <th>DATE</th> <th>SCALE(S)</th> <th>SHEET</th> </tr> </thead> <tbody> <tr> <td>SS</td> <td>SA</td> <td>27.01.23</td> <td>1 : 50</td> <td>3 OF 3</td> </tr> <tr> <td colspan="2">REVIT FILE NAME</td> <td colspan="2">PAPER DRAWING ID</td> <td>ISSUE</td> </tr> <tr> <td colspan="2">mor-cs-i</td> <td colspan="2">mor-cs-i-3</td> <td>4</td> </tr> </tbody> </table>	DESIGNED	APPROVED	DATE	SCALE(S)	SHEET	SS	SA	27.01.23	1 : 50	3 OF 3	REVIT FILE NAME		PAPER DRAWING ID		ISSUE	mor-cs-i		mor-cs-i-3		4
DESIGNED	APPROVED	DATE	SCALE(S)	SHEET																								
SS	SA	27.01.23	1 : 50	3 OF 3																								
REVIT FILE NAME		PAPER DRAWING ID		ISSUE																								
mor-cs-i		mor-cs-i-3		4																								