

iHFG Standard Components

Room Layout Sheet

Room Name **Office - Write-up ,1m2**

RLS Room Code

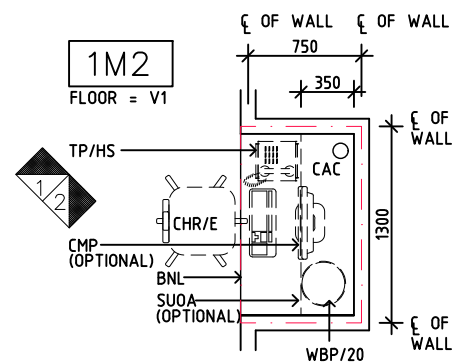
off-wi-1-i

RDS Room Code

off-wi-1-i

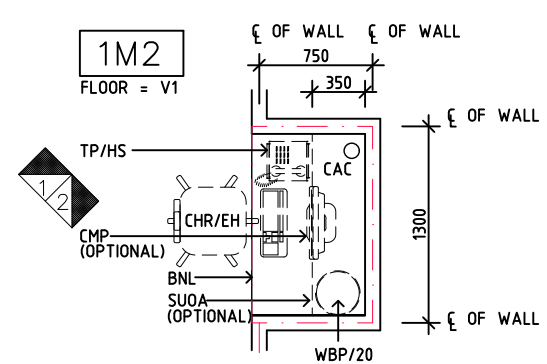
AS	ADJUSTABLE SHELF
BH/PB	BULKHEAD - PLASTERBOARD, PAINT FINISH
BNL	BENCH - LAMINATE
CAC	CABLE ACCESS CAP
CHR/E	CHAIR - ERGONOMIC, OFFICE
CHR/EH	CHAIR - ERGONOMIC, HIGH
CMP	COMPUTER
COM/2	COMMUNICATION OUTLET - DOUBLE
CPT	CARPET
L/PT	LIGHT - PELMET TASK LIGHT
LS/P	LIGHT SWITCH - PELMET TASK LIGHT
PO/2	POWER OUTLET - DOUBLE
SK4	FLOOR VINYL COVERED SKIRTING
SUOA	SHELVING UNIT - OVER BENCH, ADJUSTABLE
TP/HS	TELEPHONE - HANDSET, STANDARD
WBP/20	WASTE BIN - PAPER-20 LITERS
WPF	WALL PAINT FINISH

OPTION 1 - LOW BENCH

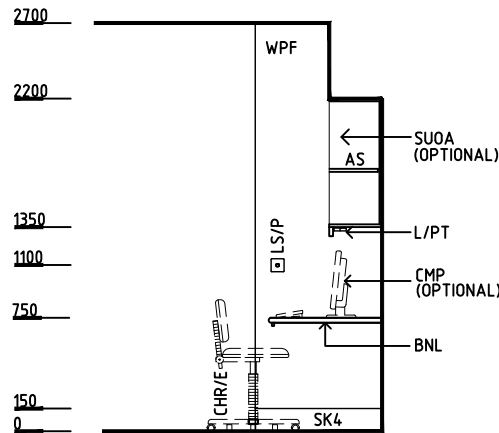


PLAN

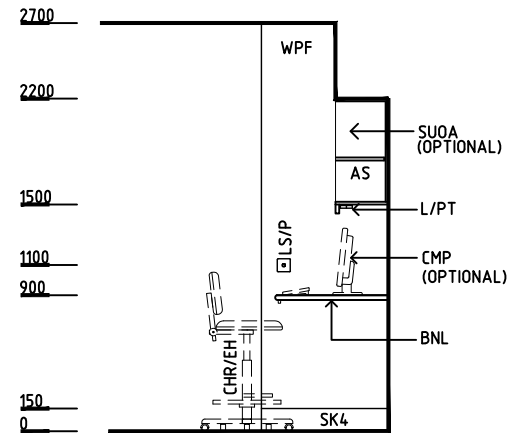
OPTION 2 - HIGH BENCH



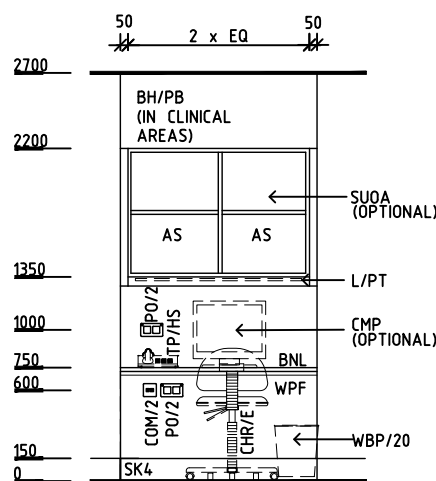
PLAN



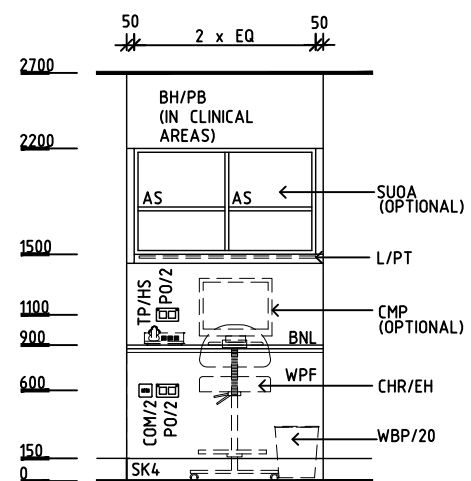
ELEVATION 1



ELEVATION 1



ELEVATION 2



ELEVATION 2

REV	DESCRIPTION	DATE	BY	REV	DESCRIPTION	DATE	BY	COMPATIBILITY
1	FIRST ISSUE	24.04.10	LL	4	GENERAL REVISION	27.01.23	SS	
2	GENERAL REVISION	30.08.11	ASD					
3	GENERAL REVISION	31.10.12	CT					

iHFG Standard Components

Room Layout Sheet

Room Name **Office - Write-up, 1m2**

RLS Room Code

off-wi-1-i

RDS Room Code

off-wi-1-i

GENERAL NOTES:

THIS DRAWING TO BE READ IN CONJUNCTION WITH R.D.S. (ROOM DATA SHEETS) WHICH TAKES PRECEDENCE.

ALL SERVICES INDICATED ARE INDICATIVE AND SUBJECTED TO DETAILED PROJECT SPECIFIC ENGINEERING DESIGN.

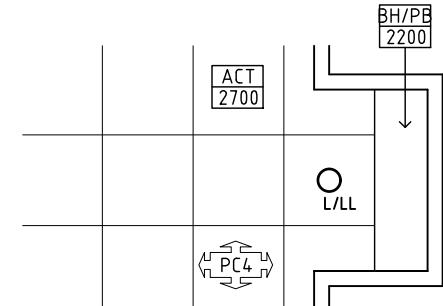
CEILING LEGEND:

- BH/PB BULKHEAD - PLASTERBOARD, PAINT FINISH
- ACT ACOUSTIC CEILING TILES
- PC4 SHADOW ANGLE, POWDERCOAT ALUMINIUM CORNICE
- GRID LINE
- TILE CEILING GRID (600 x 600)

- PB CEILING TYPE
- 2700 HEIGHT ABOVE F.F.L.

ELECTRICAL LEGEND:

- L/LL LIGHT - LED LIGHT



REFLECTED CEILING PLAN

REV	DESCRIPTION	DATE	BY	REV	DESCRIPTION	DATE	BY	COMPATIBILITY		
1	FIRST ISSUE	24.04.10	LL	4	GENERAL REVISION	27.01.23	SS			
2	GENERAL REVISION	30.08.11	ASD							
3	GENERAL REVISION	31.10.12	CT							
International Health Facility Guidelines		International Health Facility Guidelines at: www.healthdesign.com.au/iHFG Editable version of Standard Components on Health Facility Briefing System (HFBS) at: www.healthdesign.com.au ©TAHPI				DESIGNED	APPROVED	DATE	SCALE(S)	SHEET
						SS	SA	27.01.23	1:50 in A3	2 of 2
						CAD FILE NAME		PAPER DRAWING ID		ISSUE
						off-wi-1-i		off-wi-i-2		4