

# iHFG Standard Components

## Room Layout Sheet

Room Name **Patient Bay - Enclosed, Isolation - Positive Pressure**

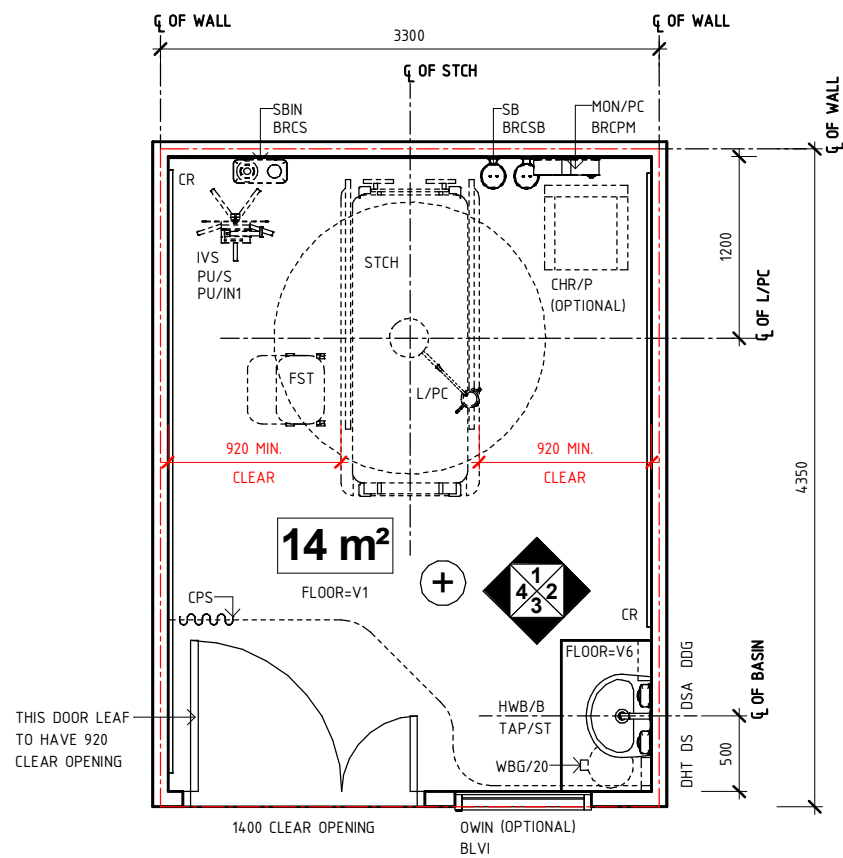
RLS Room Code

pbhe-is-p-i

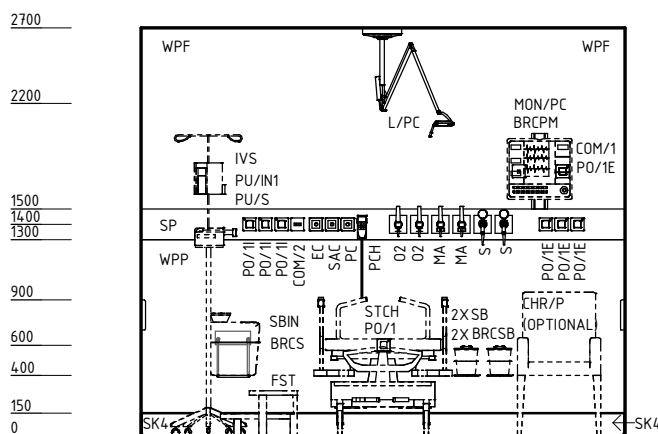
RDS Room Code

pbhe-is-p-i

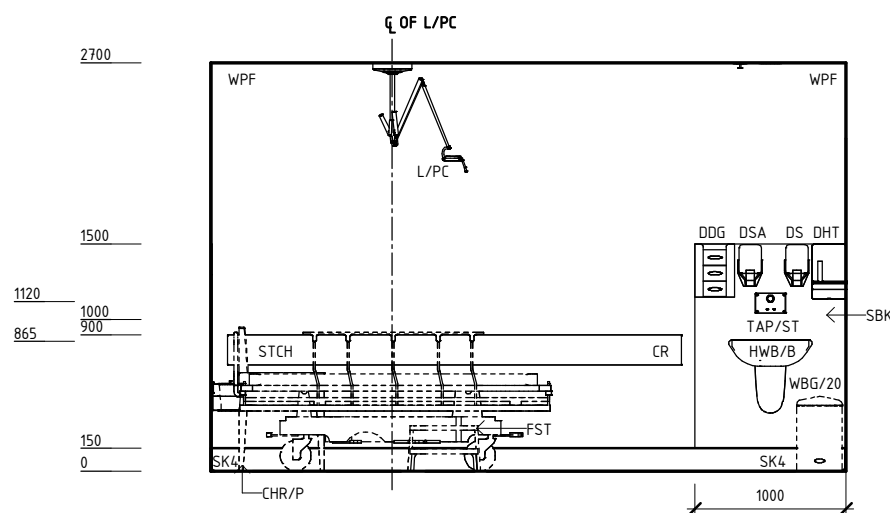
BLVI	BLIND - VENETIAN, INTEGRAL
BRCPM	BRACKET - PATIENT MONITOR
BRCS	BRACKET - SHARPS
BRCSB	BRACKET - SUCTION BOTTLE
CHR/P	CHAIR - PATIENT
COM/1	COMMUNICATION OUTLET - SINGLE
COM/2	COMMUNICATION OUTLET - DOUBLE
CPS	CURTAIN - PRIVACY SCREEN
CR	CRASH RAIL
CTPS	CURTAIN TRACK - PRIVACY SCREEN
DDG	DISPENSER - DISPOSABLE GLOVES
DHT	DISPENSER - PAPER HAND TOWEL
DS	DISPENSER - SOAP
DSA	DISPENSER - SOAP, ANTISEPTIC
EC	EMERGENCY CALL
FST	FOOTSTOOL
HWB/B	HAND WASH BASIN - TYPE 'B'
IVS	IV STAND - MOBILE
L/PC	LIGHT - PROCEDURE, CEILING MOUNTED
LS/R	LIGHT SWITCH - ROOM
MA	MEDICAL AIR
MON/PC	MONITOR - PHYSIOLOGIC, CRITICAL CARE
O2	OXYGEN
OWIN	OBSERVATION WINDOW
PC	PATIENT CALL
PCH	PATIENT CALL HANDSET
PO/1	POWER OUTLET - SINGLE
PO/1E	POWER OUTLET - EMERGENCY, SINGLE
PO/1I	ISOLATED POWER SUPPLY - SINGLE
PO/C	POWER OUTLET - CLEANER'S
PU/IN1	PUMP - INFUSION, SINGLE
PU/S	PUMP - SYRINGE
S	SUCTION
SAC	STAFF ASSIST CALL
SB	SUCTION BOTTLE
SBIN	SHARPS BIN
SBK	SPLASHBACK
SK4	FLOOR VINYL COVERED SKIRTING
SP	SERVICES PANEL
STCH	STRETCHER
TAP/ST	TAPWARE - SENSOR TAP
V1	VINYL FLOORING, STANDARD SLIP RESISTANT
V6	VINYL FLOORING, NON SLIP - TEXTURED
WBG/20	WASTE BIN - GENERAL, 20 LITRE
WPF	WALL PAINT FINISH
WPP	WALL PROTECTION PANEL



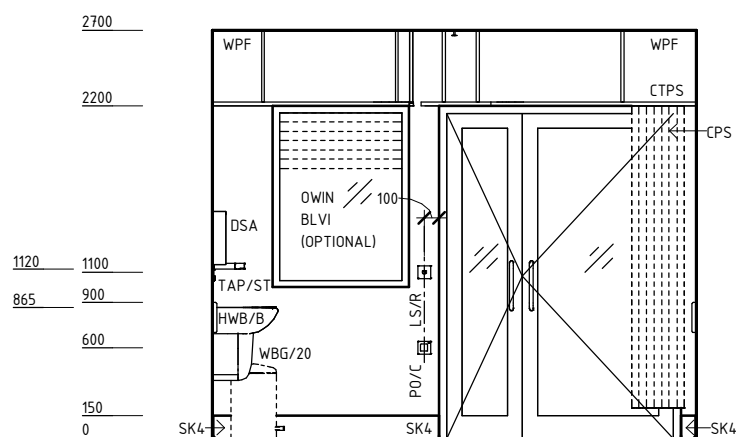
**PLAN**



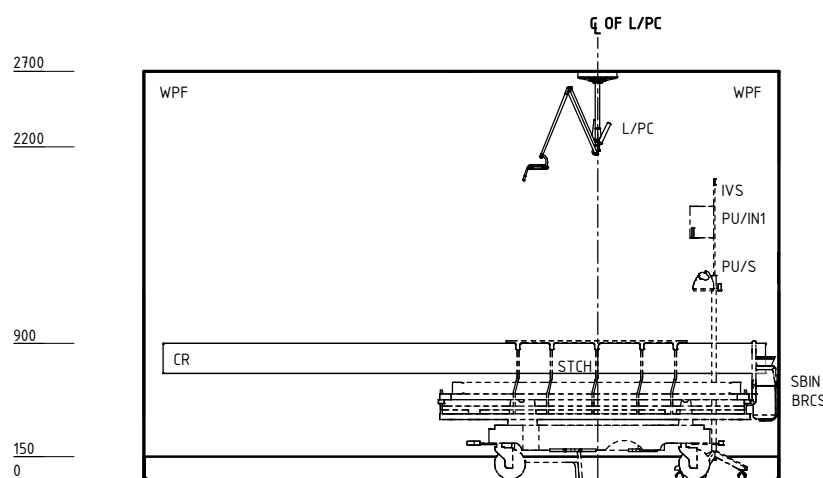
**ELEVATION 1**



**ELEVATION 2**



**ELEVATION 3**



**ELEVATION 4**

REV	DESCRIPTION	DATE	BY	REV	DESCRIPTION	DATE	BY	COMPATIBILITY
1	FIRST ISSUE	25.05.23	SS					iHFG



International Health Facility Guidelines at:  
www.healthdesign.com.au/iHFG  
Editable version of Standard Components on  
Health Facility Briefing System (HFBS) at:  
www.healthdesign.com.au ©TAHPI



DESIGNED	APPROVED	DATE	SCALE(S)	SHEET
SS	RH	25.05.23	1 : 50	1 OF 2
REVIT FILE NAME		PAPER DRAWING ID		ISSUE
pbhe-is-p-i		pbhe-is-p-i-1		1

# iHFG Standard Components

## Room Layout Sheet

RLS Room Code

pbhe-is-p-i

RDS Room Code

pbhe-is-p-i

Room Name | Patient Bay - Enclosed, Isolation - Positive Pressure

### GENERAL NOTES:

THIS DRAWING TO BE READ IN CONJUNCTION WITH R.D.S. (ROOM DATA SHEETS) WHICH TAKES PRECEDENCE.

ALL SERVICES INDICATED ARE INDICATIVE AND SUBJECTED TO DETAILED PROJECT SPECIFIC ENGINEERING DESIGN.

### CEILING LEGEND:

	CEILING TYPE CORNICE TYPE HEIGHT ABOVE F.F.L.
PB-PC4	PLASTERBOARD FLUSH SET CEILING, WITH POWDERCOAT ALUMINIUM CORNICE, SHADOW LINE
	GRID LINE

### ELECTRICAL LEGEND:

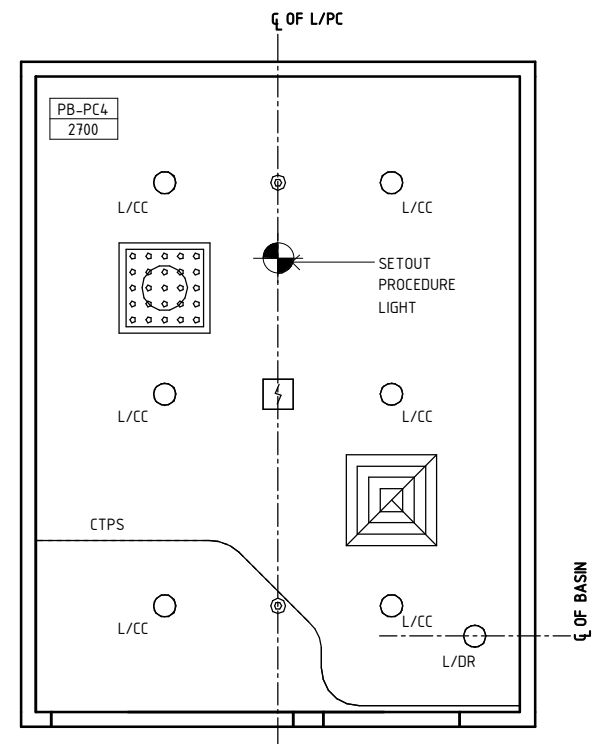
	LIGHT - COLOUR CORRECTED
	LIGHT - DOWNLIGHT, RECESSED

### MECHANICAL LEGEND:

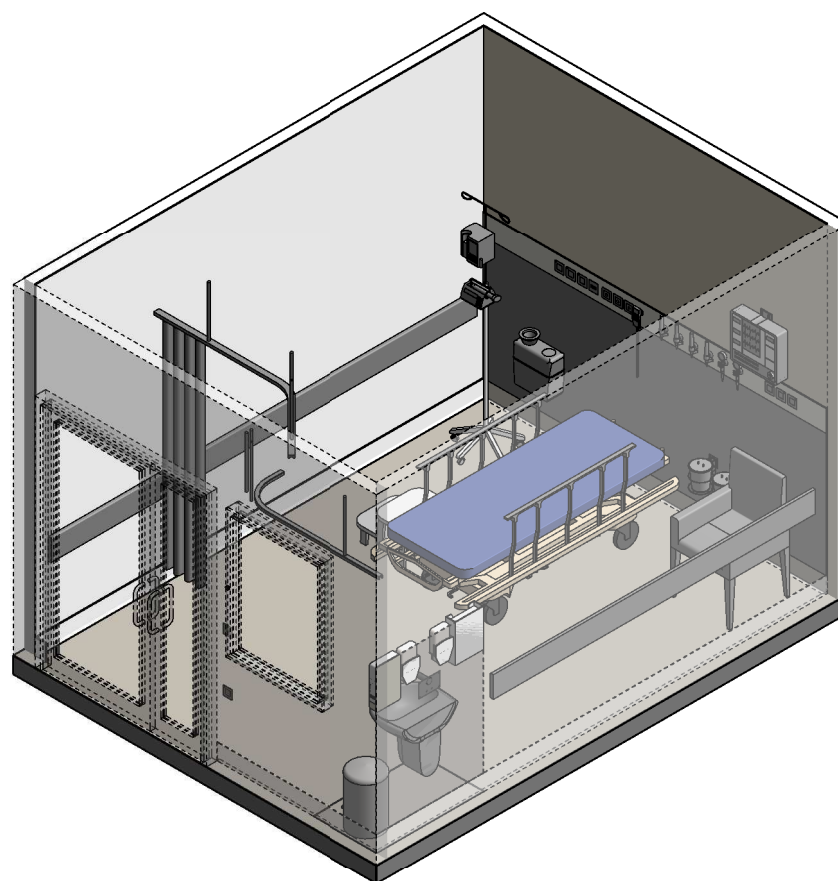
	HEPA FILTER GRILLE
	EXHAUST GRILLE

### FIRE SERVICES LEGEND:

	SMOKE DETECTOR
	SPRINKLER



**REFLECTED CEILING PLAN**



**ISOMETRIC VIEW**

REV	DESCRIPTION	DATE	BY	REV	DESCRIPTION	DATE	BY	COMPATIBILITY
1	FIRST ISSUE	25.05.23	SS					iHFG

<b>International Health Facility Guidelines</b>	International Health Facility Guidelines at: <a href="http://www.healthdesign.com.au/iHFG">www.healthdesign.com.au/iHFG</a> Editable version of Standard Components on Health Facility Briefing System (HFBS) at: <a href="http://www.healthdesign.com.au">www.healthdesign.com.au</a> ©TAHPI		DESIGNED	APPROVED	DATE	SCALE(S)	SHEET
			SS	RH	25.05.23	1 : 50	2 OF 2
			REVIT FILE NAME	PAPER DRAWING ID	ISSUE		
			pbhe-is-p-i	pbhe-is-p-i-2	1		