

# iHFG Standard Components

Room Layout Sheet

Room Name **Patient Bay - Holding, 10m<sup>2</sup>**

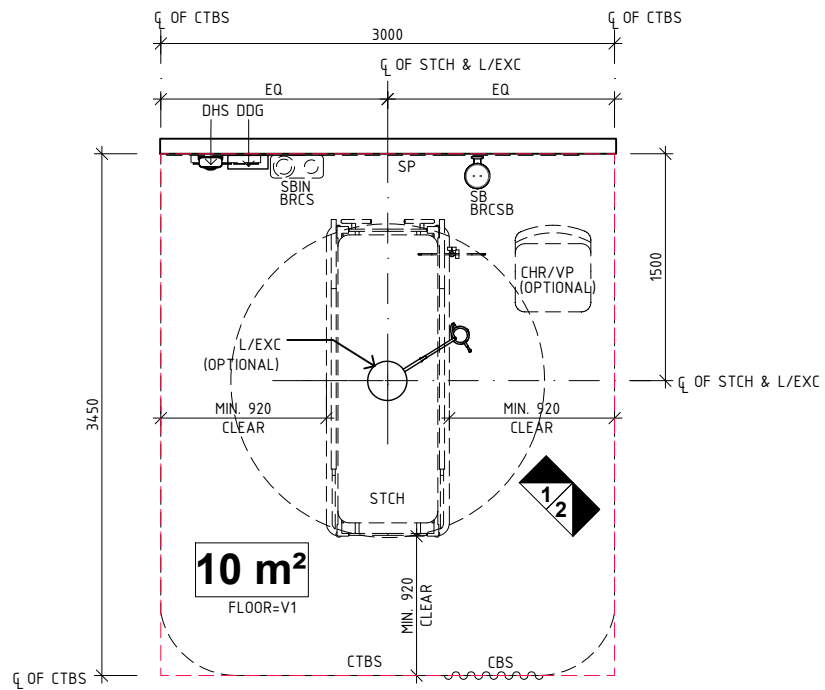
RLS Room Code

pbtr-h-10-i

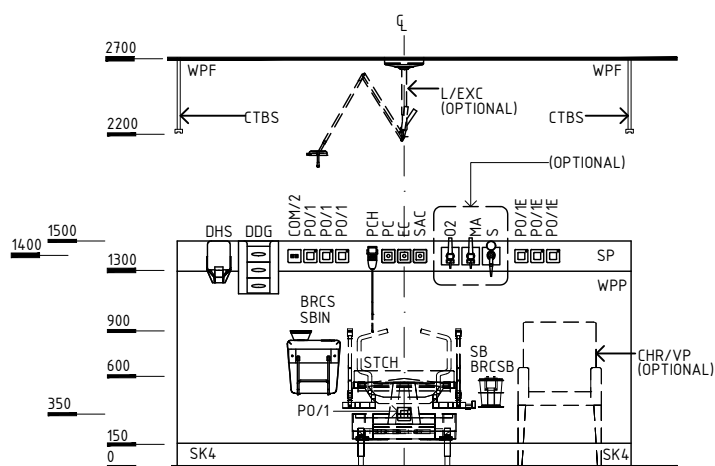
RDS Room Code

pbtr-h-10-i

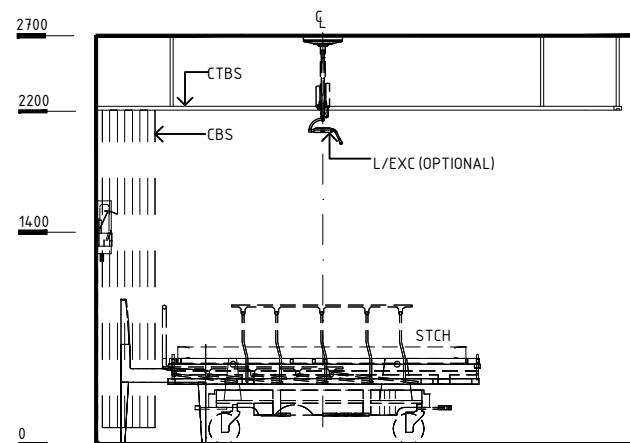
BRCBS	BRACKET - SUCTION BOTTLE
BRCS	BRACKET - SHARPS
CBS	CURTAIN - BED SCREEN
CTBS	CURTAIN TRACK - BED SCREEN
CHR/VP	CHAIR - VISITOR, PATIENT
COM/2	COMMUNICATION OUTLET - DOUBLE
DDG	DISPENSER - DISPOSABLE GLOVES
DHS	DISPENSER - HAND SANITISER
EC	EMERGENCY CALL
L/EXC	LIGHT - EXAMINATION, CEILING MOUNTED
MA	MEDICAL AIR
O2	OXYGEN
PCH	PATIENT CALL HANDSET
PC	PATIENT CALL
PO/1	POWER OUTLET - SINGLE
PO/1E	POWER OUTLET - EMERGENCY, SINGLE
S	SUCTION
SAC	STAFF ASSIST CALL
SB	SUCTION BOTTLE
SBIN	SHARPS BIN
STCH	STRETCHER
SP	SERVICE PANEL
SK4	FLOOR VINYL COVED SKIRTING
V1	VINYL FLOORING, STANDARD SLIP RESISTANT
WPF	WALL PAINT FINISH
WP/L	WALL PANEL, LAMINATE
WPP	WALL PROTECTION PANEL



**PLAN**



**ELEVATION 1**



**ELEVATION 2**

REV	DESCRIPTION	DATE	BY	REV	DESCRIPTION	DATE	BY	COMPATIBILITY
1	FIRST ISSUE	24.04.10	LL	4	GENERAL REVISION	31.08.22	RA	
2	GENERAL REVISION	30.08.11	SK					
3	GENERAL REVISION	31.10.12	CT					

# iHFG Standard Components

Room Layout Sheet

Room Name **Patient Bay - Holding, 10m<sup>2</sup>**

RLS Room Code

pbtr-h-10-i

RDS Room Code

pbtr-h-10-i

**GENERAL NOTES:**

THIS DRAWING TO BE READ IN CONJUNCTION WITH R.D.S. (ROOM DATA SHEETS) WHICH TAKES PRECEDENCE.

ALL SERVICES INDICATED ARE INDICATIVE AND SUBJECTED TO DETAILED PROJECT SPECIFIC ENGINEERING DESIGN.

**CEILING LEGEND:**


- PB | PLASTERBOARD FLUSH SET CEILING, PAINT
- PC3 | PLASTERBOARD SQUARE SET CORNICE
- | GRID LINE

PB	CEILING TYPE
2700	HEIGHT ABOVE F.F.L.



**ELECTRICAL LEGEND:**

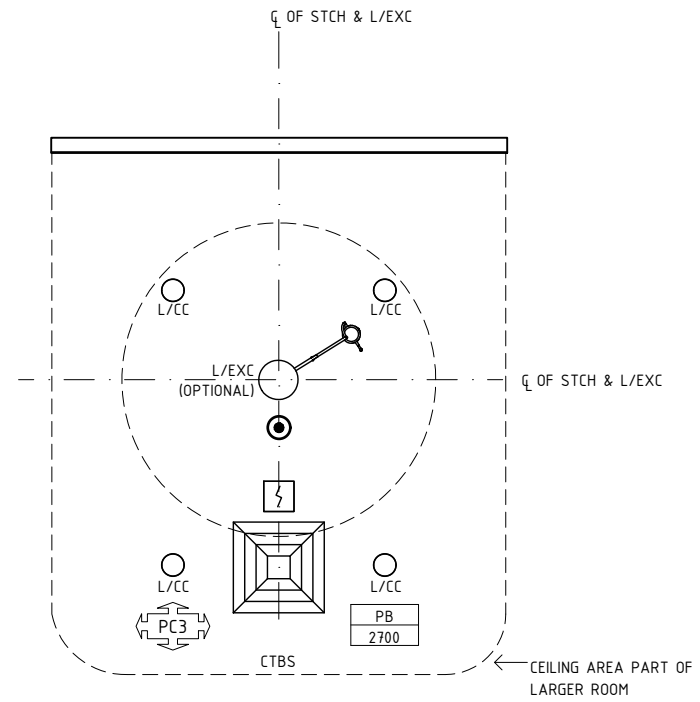
- L/CC | LIGHT - COLOUR CORRECTED

**MECHANICAL LEGEND:**


-  | SUPPLY AIR GRILLE

**FIRE SERVICES LEGEND:**

-  | SMOKE DETECTOR
-  | SPRINKLER



## REFLECTED CEILING PLAN

REV	DESCRIPTION	DATE	BY	REV	DESCRIPTION	DATE	BY	COMPATIBILITY
1	FIRST ISSUE	24.04.10	LL	4	GENERAL REVISION	31.08.22	RA	
2	GENERAL REVISION	30.08.11	SK					
3	GENERAL REVISION	31.10.12	CT					



International Health Facility Guidelines at:  
[www.healthdesign.com.au/iHFG](http://www.healthdesign.com.au/iHFG)  
 Editable version of Standard Components on  
 Health Facility Briefing System (HFBS) at:  
[www.healthdesign.com.au/TAHPI](http://www.healthdesign.com.au/TAHPI)



DESIGNED	APPROVED	DATE	SCALE(S)	SHEET
RA	RH	31.08.22	1:50 in A3	2 OF 2
CAD FILE NAME		PAPER DRAWING ID		ISSUE
pbtr-h-10-i		pbtr-h-10-i-2		4

This document is for advisory purpose only