

iHFG Standard Components

Room Layout Sheet

RLS Room Code

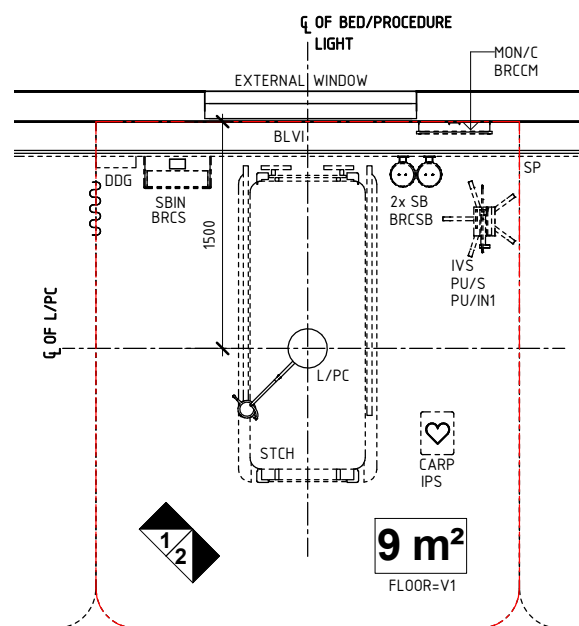
pbtr-rs1-9-i

RDS Room Code

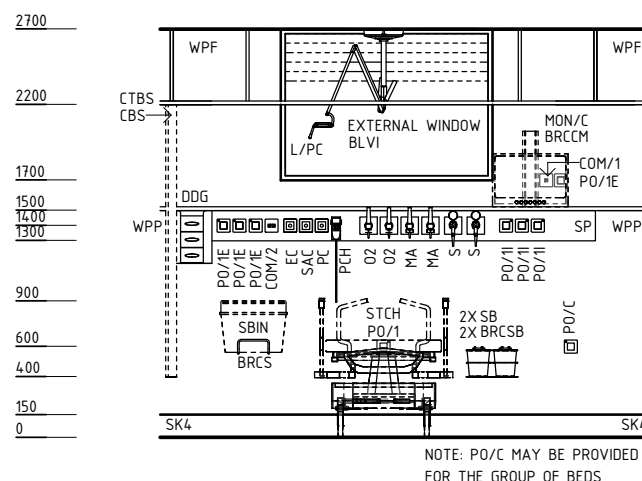
pbtr-rs1-9-i

Room Name Patient Bay - Recovery Stage 1, 9m2

BLVI	BLIND - VENETIAN, INTEGRAL
BRCCM	BRACKET - CARDIAC MONITOR
BRCS	BRACKET - SHARPS
BRCSB	BRACKET - SUCTION BOTTLE
CARP	CARDIAC PROTECTED
CBS	CURTAIN - BED SCREEN
COM/1	COMMUNICATION OUTLET - SINGLE
COM/2	COMMUNICATION OUTLET - DOUBLE
CTBS	CURTAIN TRACK - BED SCREEN
DDG	DISPENSER - DISPOSABLE GLOVES
EC	EMERGENCY CALL
IPS	ISOLATED POWER SUPPLY
IVS	IV STAND - MOBILE
L/PC	LIGHT - PROCEDURE, CEILING MOUNTED
MA	MEDICAL AIR
MON/C	MONITOR - CARDIAC
O2	OXYGEN
PC	PATIENT CALL
PCH	PATIENT CALL HANDSET
PO/1	POWER OUTLET - SINGLE
PO/1E	POWER OUTLET - EMERGENCY, SINGLE
PO/1I	ISOLATED POWER SUPPLY - SINGLE
PO/C	POWER OUTLET - CLEANER'S
PU/IN1	PUMP - INFUSION, SINGLE
PU/S	PUMP - SYRINGE
S	SUCTION
SAC	STAFF ASSIST CALL
SB	SUCTION BOTTLE
SBIN	SHARPS BIN
SK4	FLOOR VINYL COVED SKIRTING
SP	SERVICES PANEL
STCH	STRETCHER
V1	VINYL FLOORING, STANDARD SLIP RESISTANT
WPF	WALL PAINT FINISH
WPP	WALL PROTECTION PANEL

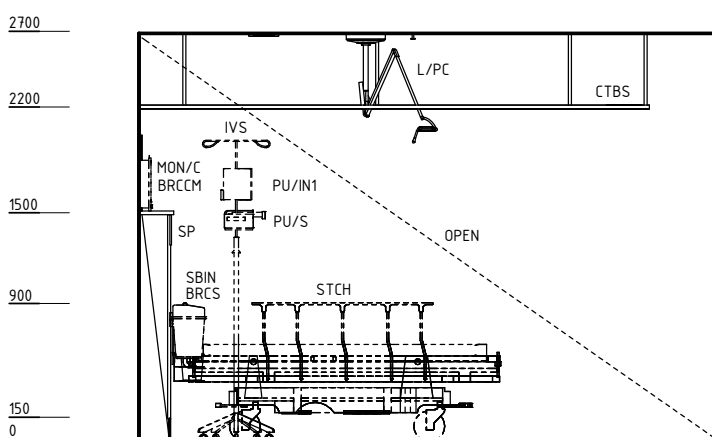


PLAN



NOTE: PO/C MAY BE PROVIDED FOR THE GROUP OF BEDS

ELEVATION 1



ELEVATION 2

REV	DESCRIPTION	DATE	BY	REV	DESCRIPTION	DATE	BY	COMPATIBILITY
1	FIRST ISSUE	01.07.05	HS	4	GENERAL REVISION	25.05.23	AM	iHFG
2	GENERAL REVISION	30.08.11	SK					
3	GENERAL REVISION	31.10.12	CT					

iHFG Standard Components

Room Layout Sheet

Room Name **Patient Bay - Recovery Stage 1, 9m2**

RLS Room Code

pbtr-rs1-9-i

RDS Room Code

pbtr-rs1-9-i

GENERAL NOTES:

THIS DRAWING TO BE READ IN CONJUNCTION WITH R.D.S. (ROOM DATA SHEETS) WHICH TAKES PRECEDENCE.

ALL SERVICES INDICATED ARE INDICATIVE AND SUBJECTED TO DETAILED PROJECT SPECIFIC ENGINEERING DESIGN.

CEILING LEGEND:

	CEILING TYPE CORNICE TYPE HEIGHT ABOVE F.F.L.
PB-PC3	PLASTERBOARD FLUSH SET CEILING, PAINT FINISH WITH PLASTERBOARD SQUARE SET CORNICE
---	GRID LINE

ELECTRICAL LEGEND:

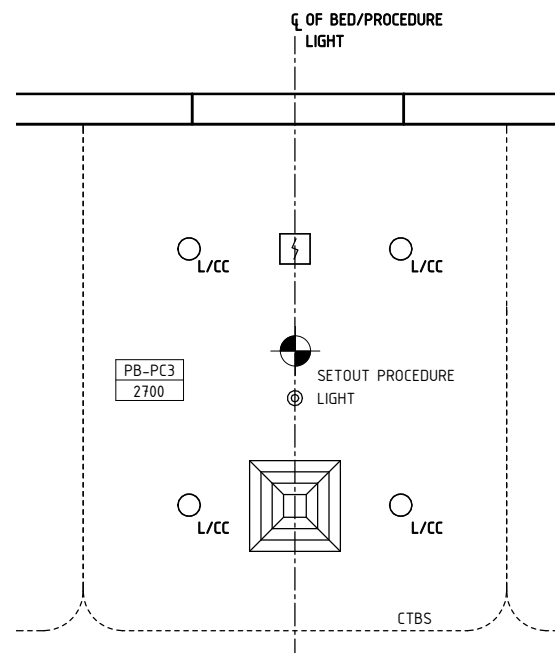
	LIGHT - COLOUR CORRECTED
--	--------------------------

MECHANICAL LEGEND:

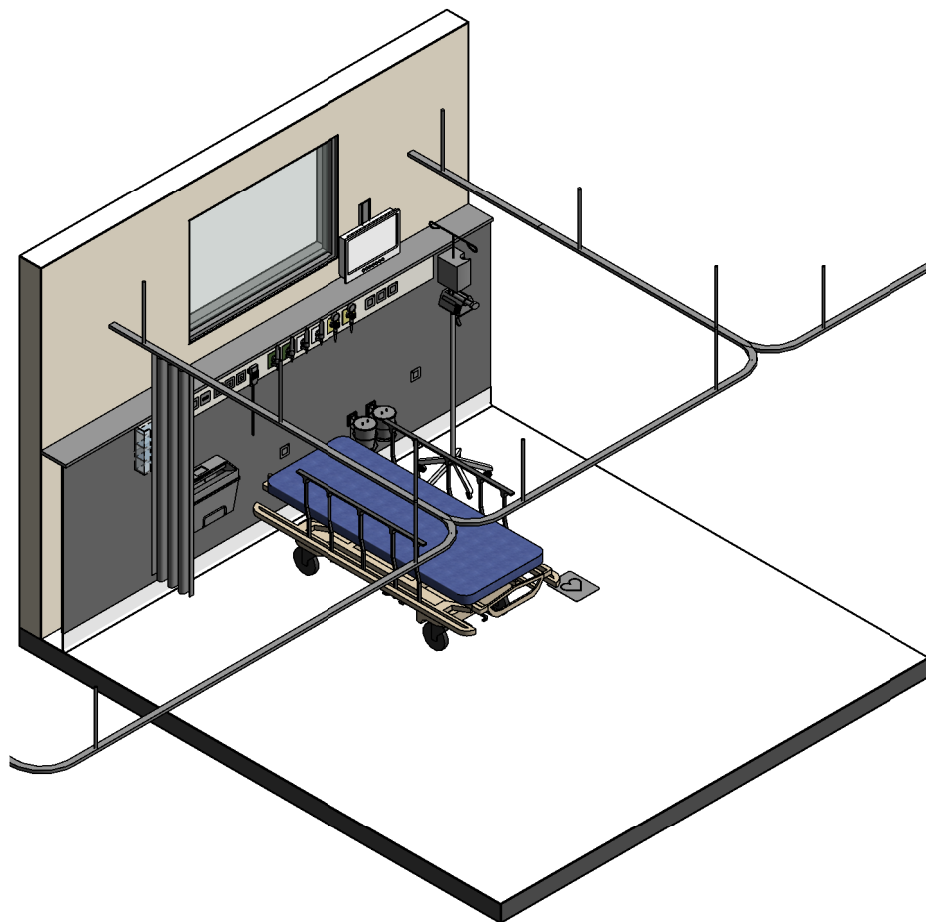
	SUPPLY AIR GRILLE
--	-------------------

FIRE SERVICES LEGEND:

	SMOKE DETECTOR
	SPRINKLER



REFLECTED CEILING PLAN



ISOMETRIC VIEW 1

REV	DESCRIPTION	DATE	BY	REV	DESCRIPTION	DATE	BY	COMPATIBILITY				
1	FIRST ISSUE	01.07.05	HS	4	GENERAL REVISION	25.05.23	AM	iHFG				
2	GENERAL REVISION	30.08.11	SK									
3	GENERAL REVISION	31.10.12	CT									
								DESIGNED	APPROVED	DATE	SCALE(S)	SHEET
								AM	RH	25.05.23	1 : 50	2 OF 2
								REVIT FILE NAME		PAPER DRAWING ID		ISSUE
								pbtr-rs1-9-i		pbtr-rs1-9-i-2		4