

iHFG Standard Components

Room Layout Sheet

RLS Room Code

rsim-ct-i

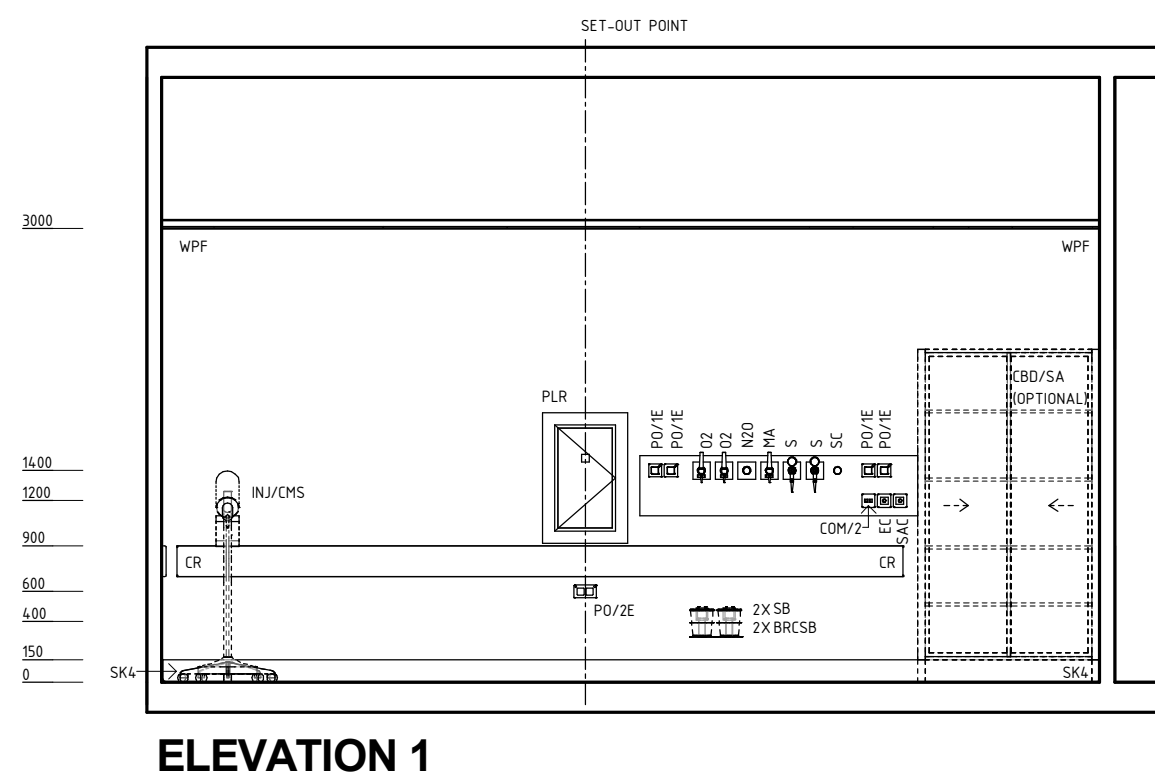
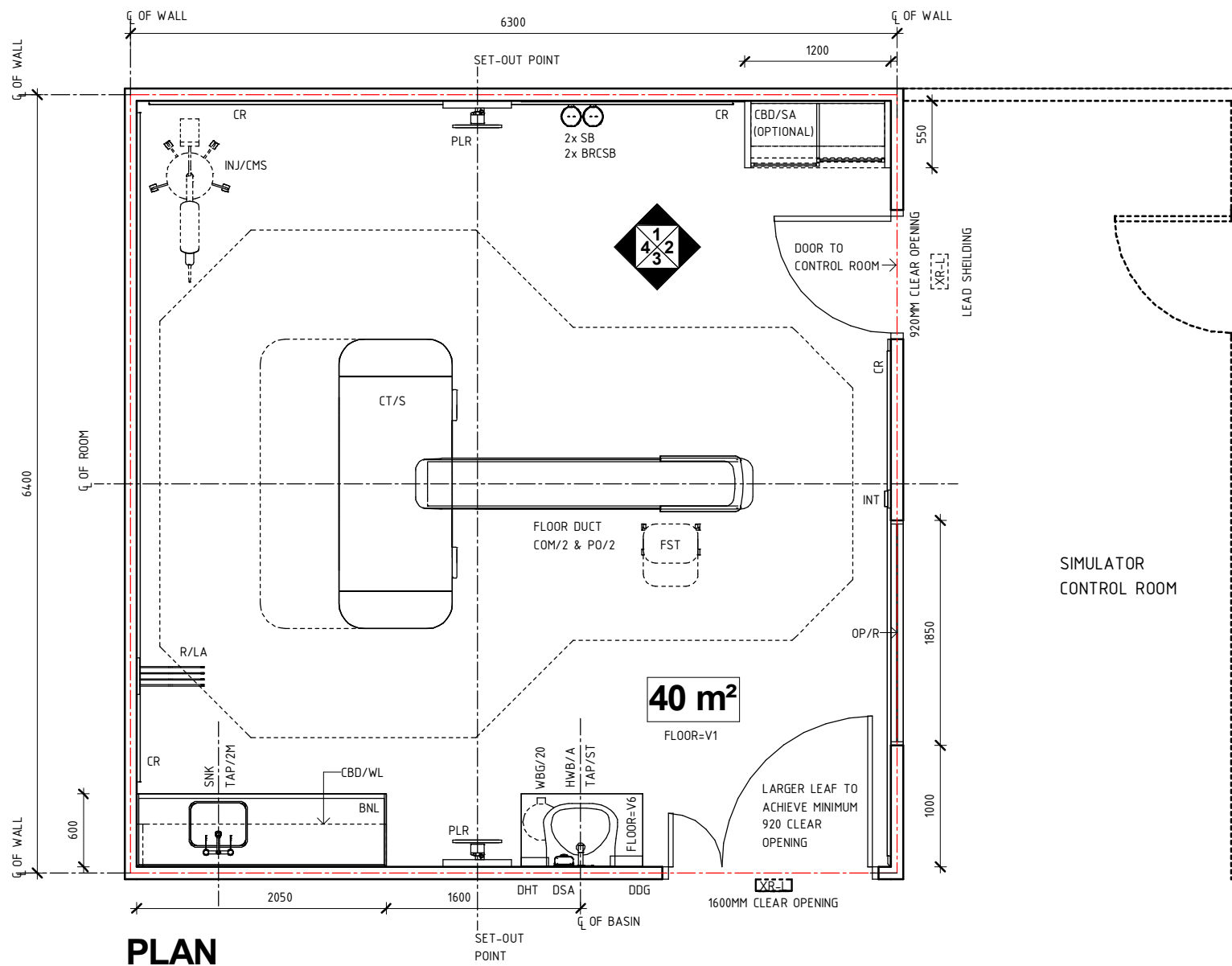
Room Name **Radiotherapy Simulator Room - CT**

RDS Room Code

rsim-ct-i

- | | | | |
|---------|---|--------|---|
| BNL | BENCH - LAMINATE | OP/R | OBSERVATION PANEL - RADIATION SHIELDING |
| BRCBS | BRACKET - SUCTION BOTTLE | PLR | POSITIONING LASER - RADIOTHERAPY |
| CBD/SA | CUPBOARD - SLIDING DOOR, ADJUSTABLE SHELVES | PO/1E | POWER OUTLET - EMERGENCY, SINGLE |
| CBD/WL | CUPBOARD - WALL MOUNTED, LOCKABLE | PO/2E | POWER OUTLET - EMERGENCY, DOUBLE |
| COM/2 | COMMUNICATION OUTLET - DOUBLE | R/LA | RACK - LEAD APRON |
| CR | CRASH RAIL | S | SUCTION |
| CT/S | COMPUTERISED TOMOGRAPHY - SIMULATOR | SAC | STAFF ASSIST CALL |
| DDG | DISPENSER - DISPOSABLE GLOVES | SB | SUCTION BOTTLE |
| DHT | DISPENSER - PAPER HAND TOWEL | SC | SCAVENGE OUTLET |
| DSA | DISPENSER - SOAP, ANTISEPTIC | SK4 | FLOOR VINYL COVED SKIRTING |
| EC | EMERGENCY CALL | SNK | SINK, STAINLESS STEEL |
| FST | FOOTSTOOL | TAP/2M | TAPWARE - DUAL MIXER |
| HWB/A | HAND WASH BASIN - TYPE 'A' | TAP/ST | TAPWARE - SENSOR TAP |
| INJ/CMS | INJECTOR - CONTRAST MEDIA, SINGLE | V1 | VINYL FLOORING, STANDARD SLIP RESISTANT |
| INT | INTERCOM | V6 | VINYL FLOORING, NON SLIP - TEXTURED |
| MA | MEDICAL AIR | WBG/20 | WASTE BIN - GENERAL, 20 LITRE |
| N2O | NITROUS OXIDE | WPF | WALL PAINT FINISH |
| O2 | OXYGEN | XR-L | X-RAY IN USE' LIGHT |

NOTE:
RADIATION SHIELD REQUIREMENTS TO BE PROVIDED
BY A QUALIFIED RADIATION SHIELDING CONSULTANT.



REV	DESCRIPTION	DATE	BY	REV	DESCRIPTION	DATE	BY	COMPATIBILITY
1	FIRST ISSUE	27.01.23	AM					

		International Health Facility Guidelines at: www.healthdesign.com.au/iHFG Editable version of Standard Components on Health Facility Briefing System (HFBS) at: www.healthdesign.com.au@TAHPI				
DESIGNED	APPROVED	DATE	SCALE(S)	SHEET		
AM	RH	27.01.23	1 : 50	1 OF 4		
REVIT FILE NAME		PAPER DRAWING ID		ISSUE		
rsim-ct-i		rsim-ct-i-1		1		

This document is for advisory purpose only

iHFG Standard Components

Room Layout Sheet

RLS Room Code

rsim-ct-i

RDS Room Code

rsim-ct-i

Room Name

Radiotherapy Simulator Room - CT

AS	ADJUSTABLE SHELF
BH/PB	BULKHEAD - PLASTERBOARD, PAINT FINISH
BNL	BENCH - LAMINATE
C	CLOCK
CBD/SA	CUPBOARD - SLIDING DOOR, ADJUSTABLE SHELVES
CBD/UBL	CUPBOARD - UNDER BENCH, LOCKABLE
CBD/WL	CUPBOARD - WALL MOUNTED, LOCKABLE
COM/2	COMMUNICATION OUTLET - DOUBLE
CR	CRASH RAIL
CT/S	COMPUTERISED TOMOGRAPHY - SIMULATOR
DDG	DISPENSER - DISPOSABLE GLOVES
DFP	DOOR AND DOOR FRAME PROTECTION
DHT	DISPENSER - PAPER HAND TOWEL
DSA	DISPENSER - SOAP, ANTISEPTIC
HWB/A	HAND WASH BASIN - TYPE 'A'
INJ/CMS	INJECTOR - CONTRAST MEDIA, SINGLE
INT	INTERCOM
LS/DD	LIGHT SWITCH - DOWNLIGHT DIMMER
OP/R	OBSERVATION PANEL - RADIATION SHIELDING
PLR	POSITIONING LASER - RADIOTHERAPY
PO/2E	POWER OUTLET - EMERGENCY, DOUBLE
PO/C	POWER OUTLET - CLEANER'S
R/LA	RACK - LEAD APRON
SBK	SPLASHBACK
SK4	FLOOR VINYL COVERED SKIRTING
SNK	SINK, STAINLESS STEEL
TAP/2M	TAPWARE - DUAL MIXER
TAP/ST	TAPWARE - SENSOR TAP
WBG/20	WASTE BIN - GENERAL, 20 LITRE
WPF	WALL PAINT FINISH

3000

2200

1200

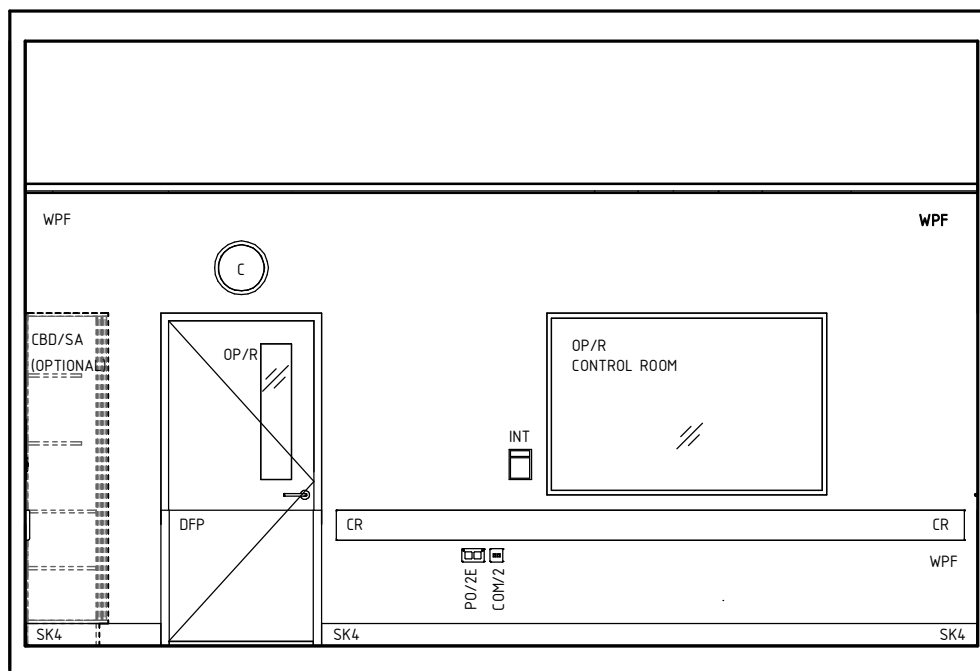
1000

900

600

150

0



ELEVATION 2

NOTE:
RADIATION SHIELD REQUIREMENTS TO BE PROVIDED BY A QUALIFIED RADIATION SHIELDING CONSULTANT.

3000

2200

1500

1120

1100

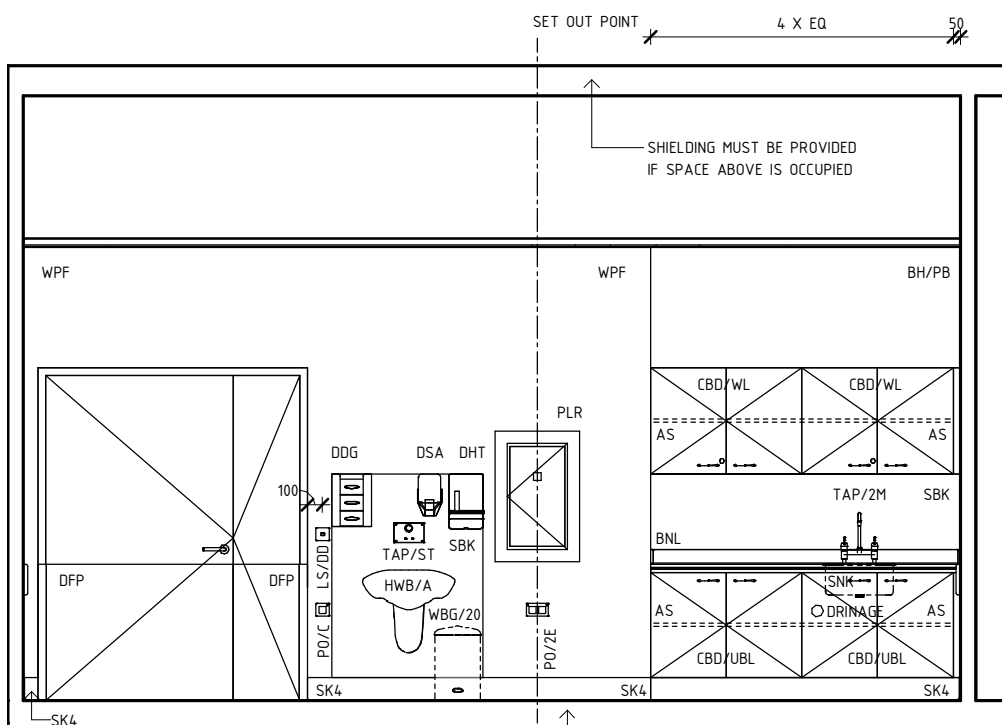
865

900

600

150

0



ELEVATION 3

3000

2200

1700

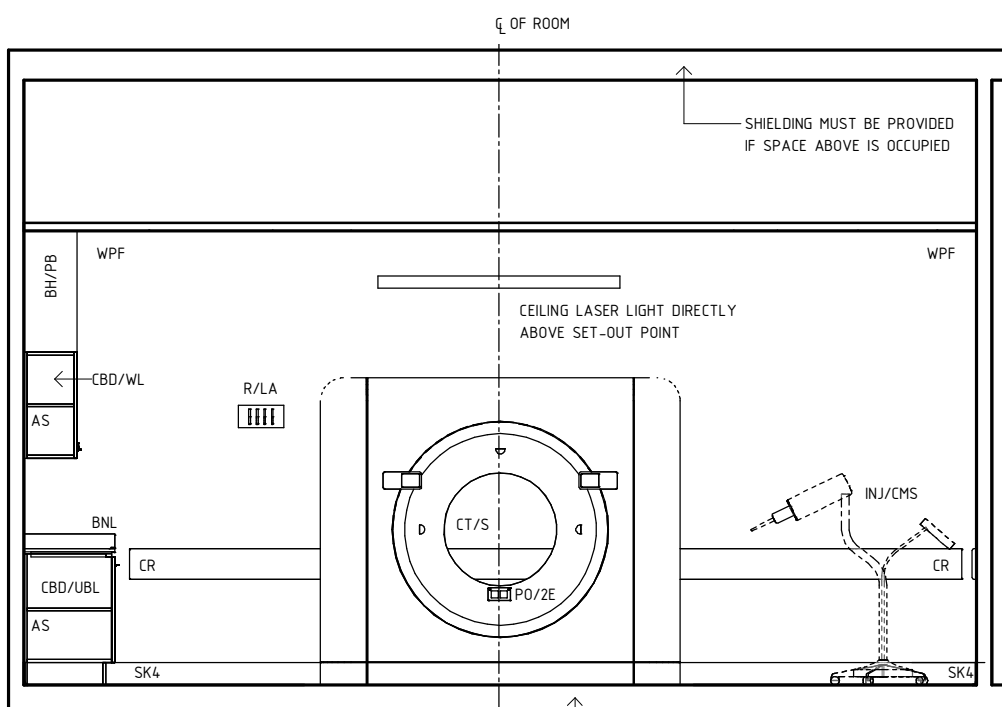
1500

900

600

150

0



ELEVATION 4

REV	DESCRIPTION	DATE	BY	REV	DESCRIPTION	DATE	BY	COMPATIBILITY
1	FIRST ISSUE	27.01.23	AM					iHFG

iHFG Standard Components

Room Layout Sheet

RLS Room Code

rsim-ct-i

RDS Room Code

rsim-ct-i

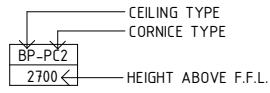
Room Name | **Radiotherapy Simulator Room - CT**

GENERAL NOTES:

THIS DRAWING TO BE READ IN CONJUNCTION WITH R.D.S. (ROOM DATA SHEETS) WHICH TAKES PRECEDENCE.

ALL SERVICES INDICATED ARE INDICATIVE AND SUBJECT TO DETAILED PROJECT SPECIFIC ENGINEERING DESIGN.

CEILING LEGEND:

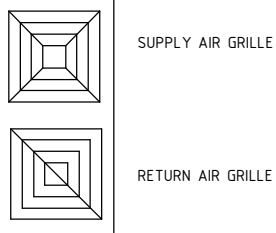


- BH/PB PLASTERBOARD BULKHEAD, PAINT FINISH
- PB-PC3 PLASTERBOARD FLUSH SET CEILING, PAINT FINISH WITH PLASTERBOARD SQUARE SET CORNICE
- GRID LINE

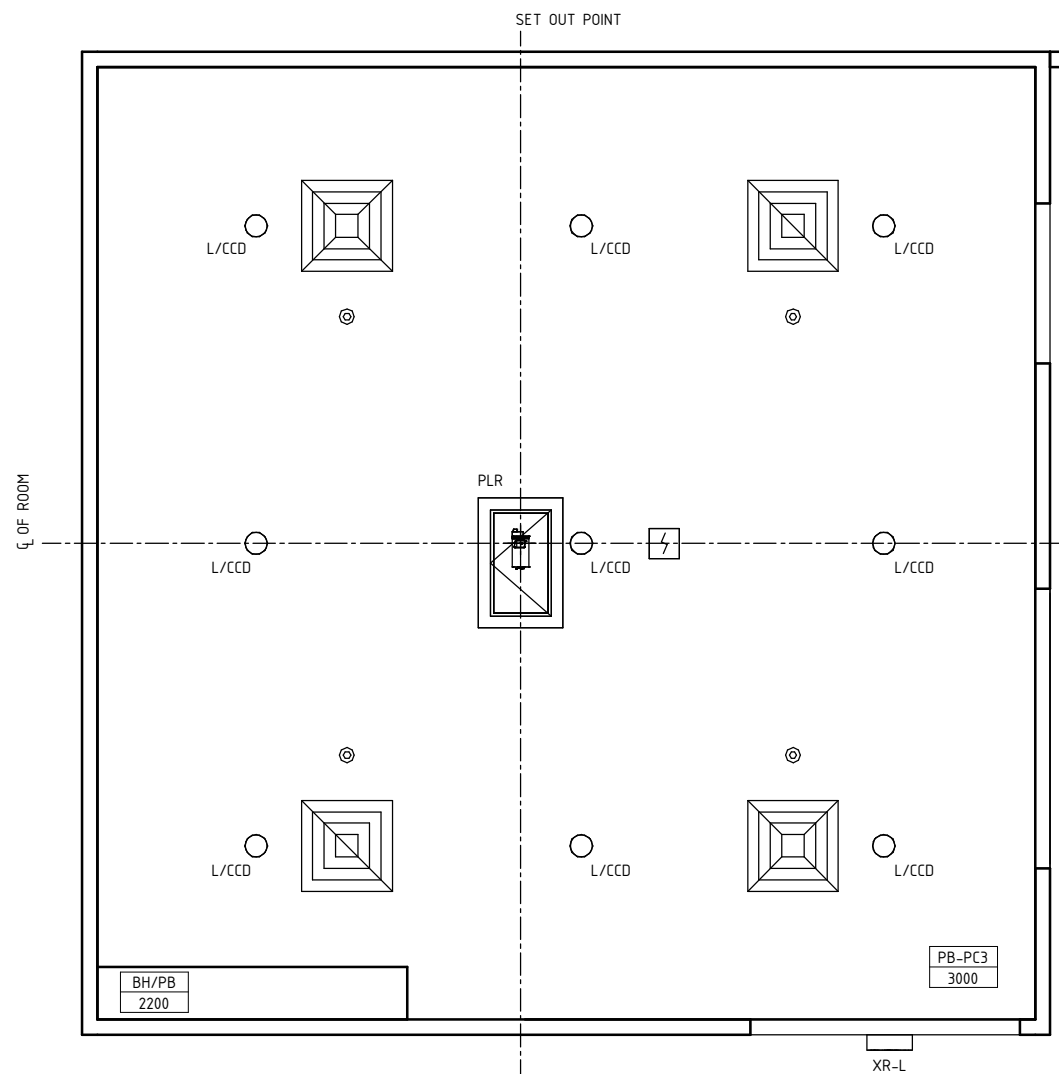
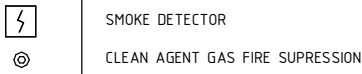
ELECTRICAL LEGEND:



MECHANICAL LEGEND:



FIRE SERVICES LEGEND:



REFLECTED CEILING PLAN

REV	DESCRIPTION	DATE	BY	REV	DESCRIPTION	DATE	BY	COMPATIBILITY																				
1	FIRST ISSUE	27.01.23	AM					iHFG																				
								<table border="1"> <tr> <th>DESIGNED</th> <th>APPROVED</th> <th>DATE</th> <th>SCALE(S)</th> <th>SHEET</th> </tr> <tr> <td>AM</td> <td>RH</td> <td>27.01.23</td> <td>1 : 50</td> <td>3 OF 4</td> </tr> <tr> <th>REVIT FILE NAME</th> <th>PAPER DRAWING ID</th> <th colspan="3">ISSUE</th> </tr> <tr> <td>rsim-ct-i</td> <td>rsim-ct-i-3</td> <td colspan="3">1</td> </tr> </table>	DESIGNED	APPROVED	DATE	SCALE(S)	SHEET	AM	RH	27.01.23	1 : 50	3 OF 4	REVIT FILE NAME	PAPER DRAWING ID	ISSUE			rsim-ct-i	rsim-ct-i-3	1		
DESIGNED	APPROVED	DATE	SCALE(S)	SHEET																								
AM	RH	27.01.23	1 : 50	3 OF 4																								
REVIT FILE NAME	PAPER DRAWING ID	ISSUE																										
rsim-ct-i	rsim-ct-i-3	1																										



International Health Facility Guidelines at:
www.healthdesign.com.au/iHFG
 Editable version of Standard Components on
 Health Facility Briefing System (HFBS) at:
www.healthdesign.com.au ©TAHPI



iHFG Standard Components

Room Layout Sheet

RLS Room Code

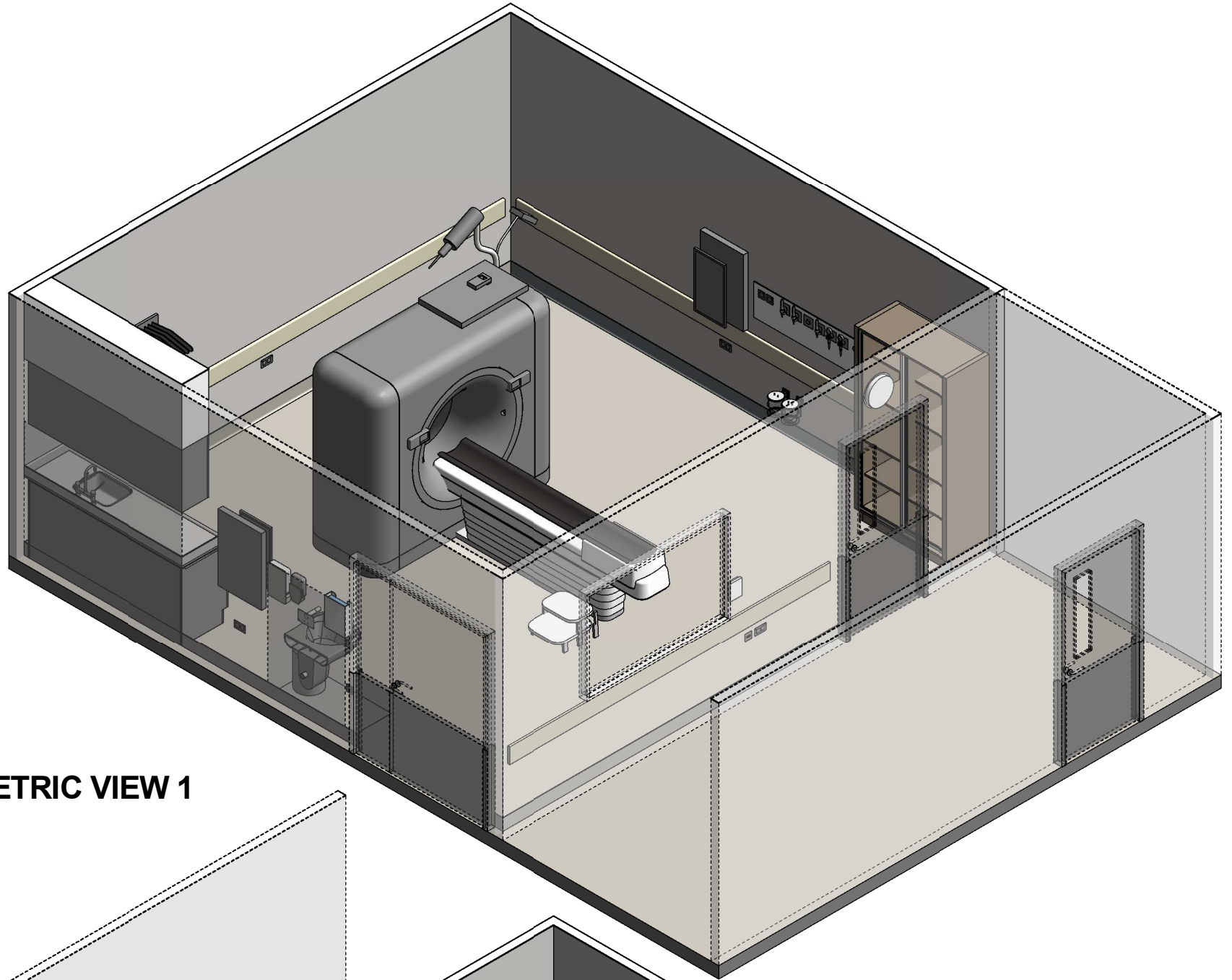
rsim-ct-i

RDS Room Code

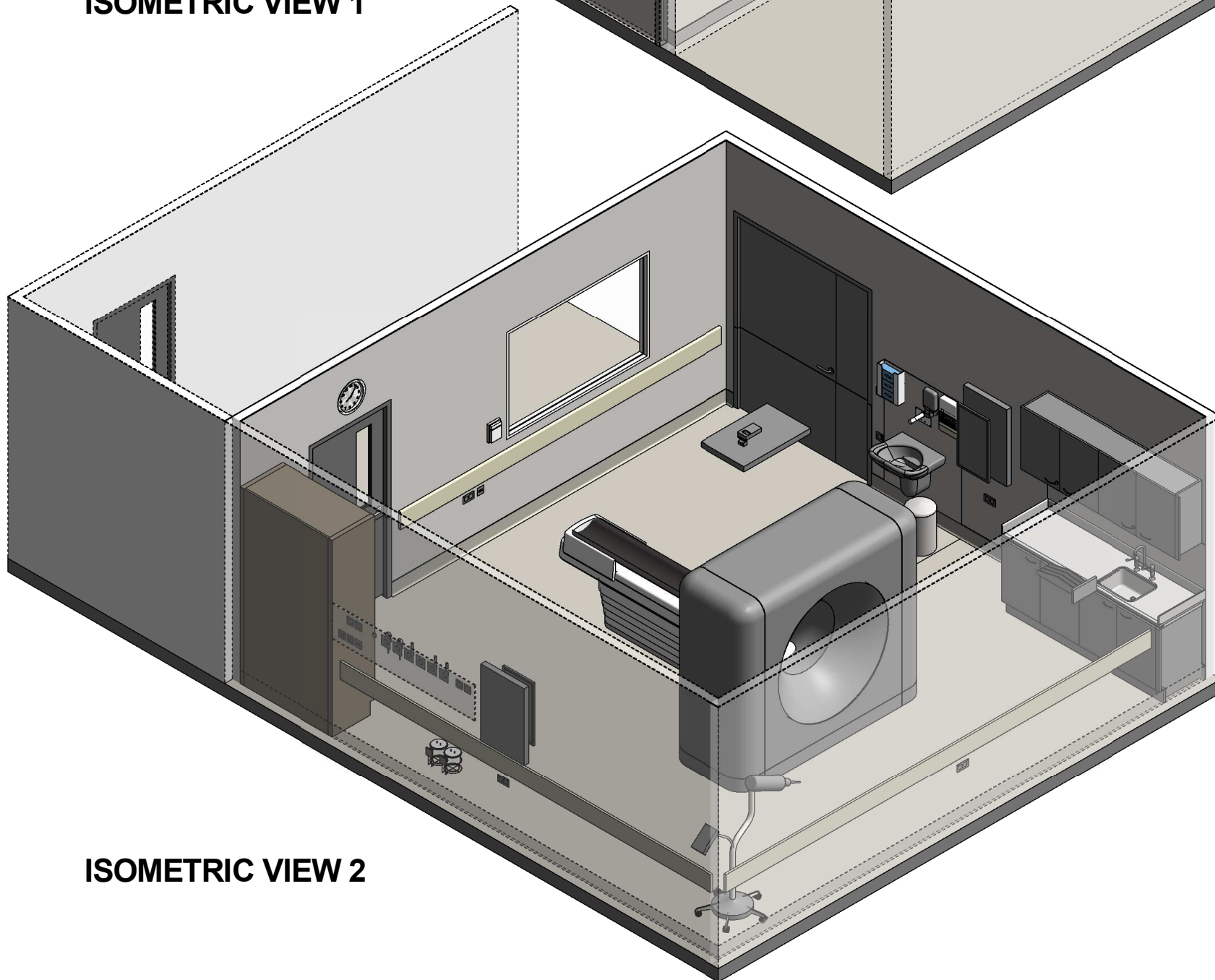
rsim-ct-i

Room Name

Radiotherapy Simulator Room - CT



ISOMETRIC VIEW 1



ISOMETRIC VIEW 2

REV	DESCRIPTION	DATE	BY	REV	DESCRIPTION	DATE	BY	COMPATIBILITY																				
1	FIRST ISSUE	27.01.23	AM					iHFG																				
								<table border="1"> <thead> <tr> <th>DESIGNED</th> <th>APPROVED</th> <th>DATE</th> <th>SCALE(S)</th> <th>SHEET</th> </tr> </thead> <tbody> <tr> <td>AM</td> <td>RH</td> <td>27.01.23</td> <td></td> <td>4 OF 4</td> </tr> <tr> <td colspan="2">REVIT FILE NAME</td> <td colspan="2">PAPER DRAWING ID</td> <td>ISSUE</td> </tr> <tr> <td colspan="2">rsim-ct-i</td> <td colspan="2">rsim-ct-i-4</td> <td>1</td> </tr> </tbody> </table>	DESIGNED	APPROVED	DATE	SCALE(S)	SHEET	AM	RH	27.01.23		4 OF 4	REVIT FILE NAME		PAPER DRAWING ID		ISSUE	rsim-ct-i		rsim-ct-i-4		1
DESIGNED	APPROVED	DATE	SCALE(S)	SHEET																								
AM	RH	27.01.23		4 OF 4																								
REVIT FILE NAME		PAPER DRAWING ID		ISSUE																								
rsim-ct-i		rsim-ct-i-4		1																								