

# iHFG Standard Components

## Room Layout Sheet

RLS Room Code

rsim-mri-i

RDS Room Code

rsim-mri-i

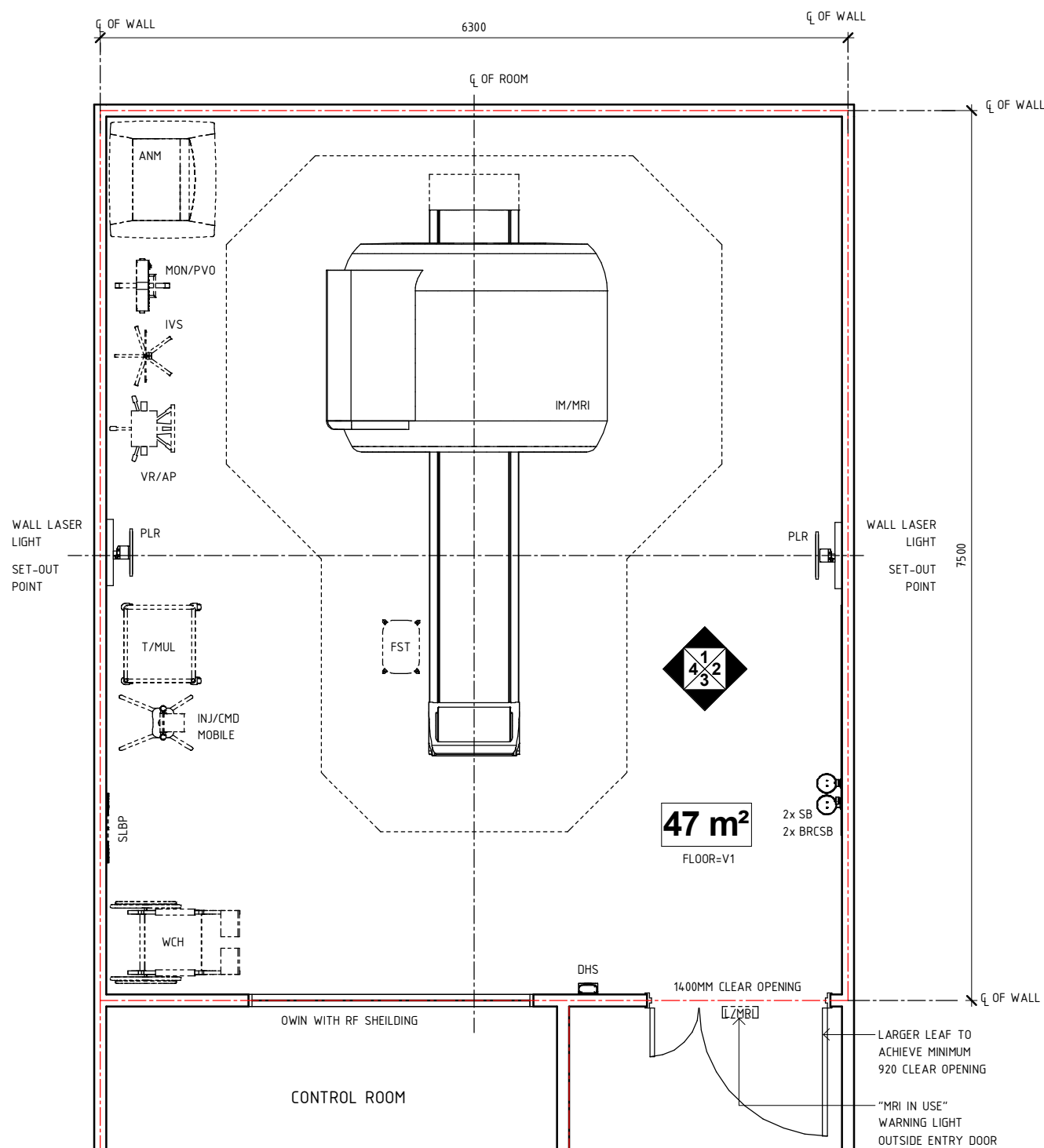
Room Name

Radiotherapy Simulator Room - MRI

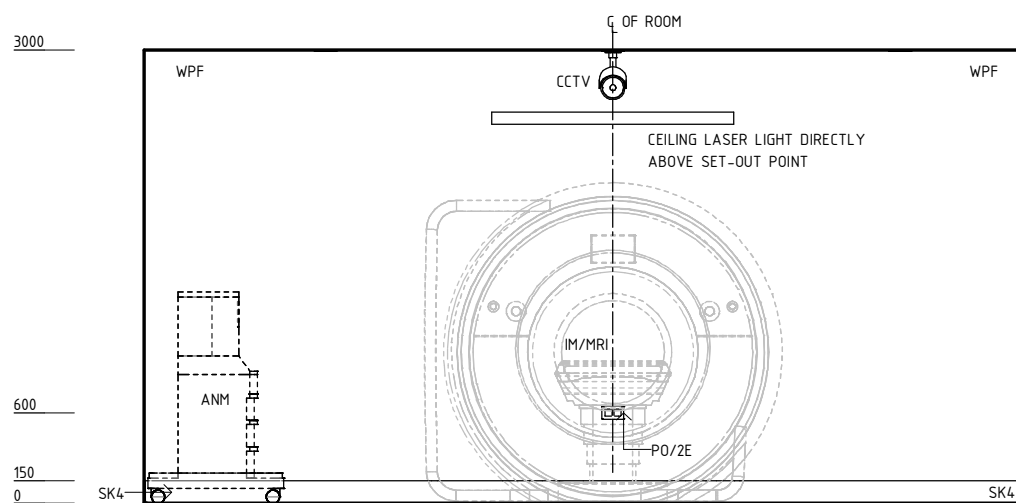
ANM	ANAESTHETIC - MACHINE
BRCSB	BRACKET - SUCTION BOTTLE
CCTV	CAMERA, CLOSED CIRCUIT TELEVISION
DHS	DISPENSER - HAND SANITISER
FST	FOOTSTOOL
IM/MRI	IMAGING - MAGNETIC RESONANCE IMAGING
INJ/CMD	INJECTOR - CONTRAST MEDIA, DOUBLE
IVS	IV STAND - MOBILE
L/MRI	LIGHT - 'MRI IN USE'
MON/PVO	MONITOR - PHYSIOLOGIC, VITAL SIGNS, ON STAND
OWIN	OBSERVATION WINDOW
PLR	POSITIONING LASER - RADIO THERAPY
PO/ZE	POWER OUTLET - EMERGENCY, DOUBLE
SB	SUCTION BOTTLE
SK4	FLOOR VINYL COVERED SKIRTING
SLBP	SLIDE BOARDS - PATIENT
T/MUL	TROLLEY - MULTIPURPOSE
V1	VINYL FLOORING, STANDARD SLIP RESISTANT
VR/AP	VENTILATOR - ADULT/PAEDIATRIC
WCH	WHEELCHAIR
WPF	WALL PAINT FINISH

**NOTE:**  
RF CAGE IS REQUIRED AND WILL BE PROVIDED,  
DESIGNED AND INSTALLED BY A MRI SPECIALIST.

ALL EQUIPMENTS, FIXTURES AND FURNITURES TO BE  
MRI COMPATIBLE



### PLAN



### ELEVATION 1

REV	DESCRIPTION	DATE	BY	REV	DESCRIPTION	DATE	BY	COMPATIBILITY
1	FIRST ISSUE	25.05.23	AM					iHFG

# iHFG Standard Components

## Room Layout Sheet

RLS Room Code

rsim-mri-i

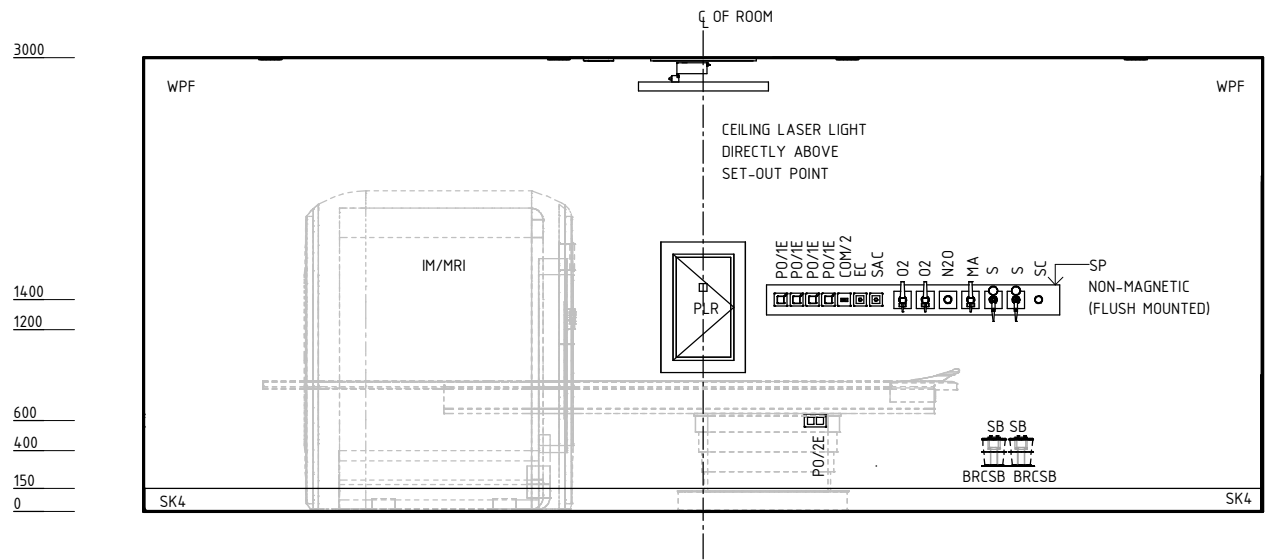
RDS Room Code

rsim-mri-i

Room Name

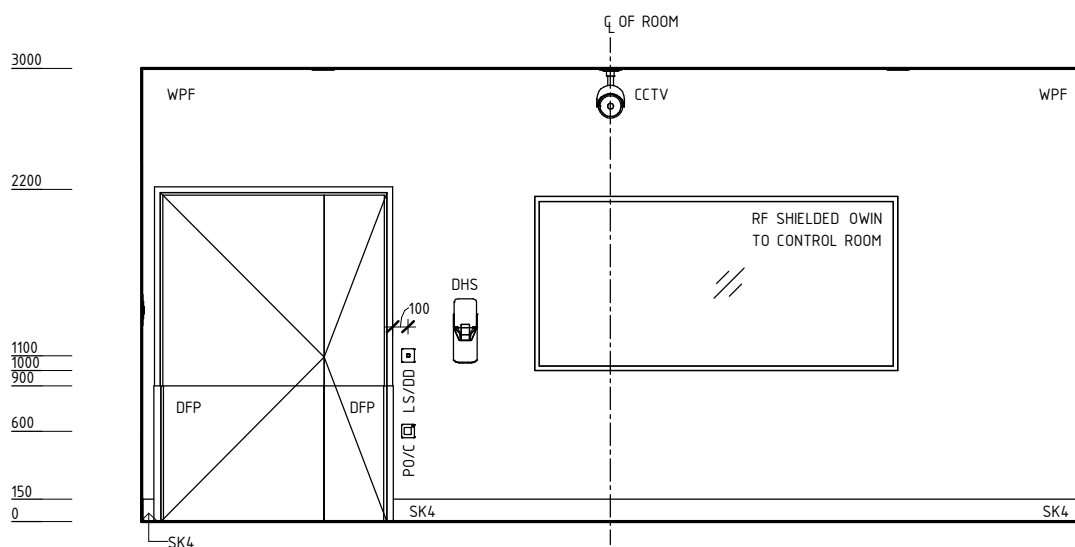
Radiotherapy Simulator Room - MRI

ANM	ANAESTHETIC - MACHINE
BRCSB	BRACKET - SUCTION BOTTLE
CCTV	CAMERA, CLOSED CIRCUIT TELEVISION
COM/2	COMMUNICATION OUTLET - DOUBLE
DFP	DOOR AND DOOR FRAME PROTECTION
DHS	DISPENSER - HAND SANITISER
EC	EMERGENCY CALL
IM/MRI	IMAGING - MAGNETIC RESONANCE IMAGING
INJ/CMD	INJECTOR - CONTRAST MEDIA, DOUBLE
IVS	IV STAND - MOBILE
LS/DD	LIGHT SWITCH - DOWNLIGHT DIMMER
MA	MEDICAL AIR
MON/PVO	MONITOR - PHYSIOLOGIC, VITAL SIGNS, ON STAND
N2O	NITROUS OXIDE
O2	OXYGEN
OWIN	OBSERVATION WINDOW
PLR	POSITIONING LASER - RADIO THERAPY
PO/1E	POWER OUTLET - EMERGENCY, SINGLE
PO/2E	POWER OUTLET - EMERGENCY, DOUBLE
PO/C	POWER OUTLET - CLEANER'S
S	SUCTION
SAC	STAFF ASSIST CALL
SB	SUCTION BOTTLE
SC	SCAVENGE OUTLET
SK4	FLOOR VINYL COVERED SKIRTING
SLBP	SLIDE BOARDS - PATIENT
SP	SERVICES PANEL
T/MUL	TROLLEY - MULTIPURPOSE
VR/AP	VENTILATOR - ADULT/PAEDIATRIC
WCH	WHEELCHAIR
WPF	WALL PAINT FINISH

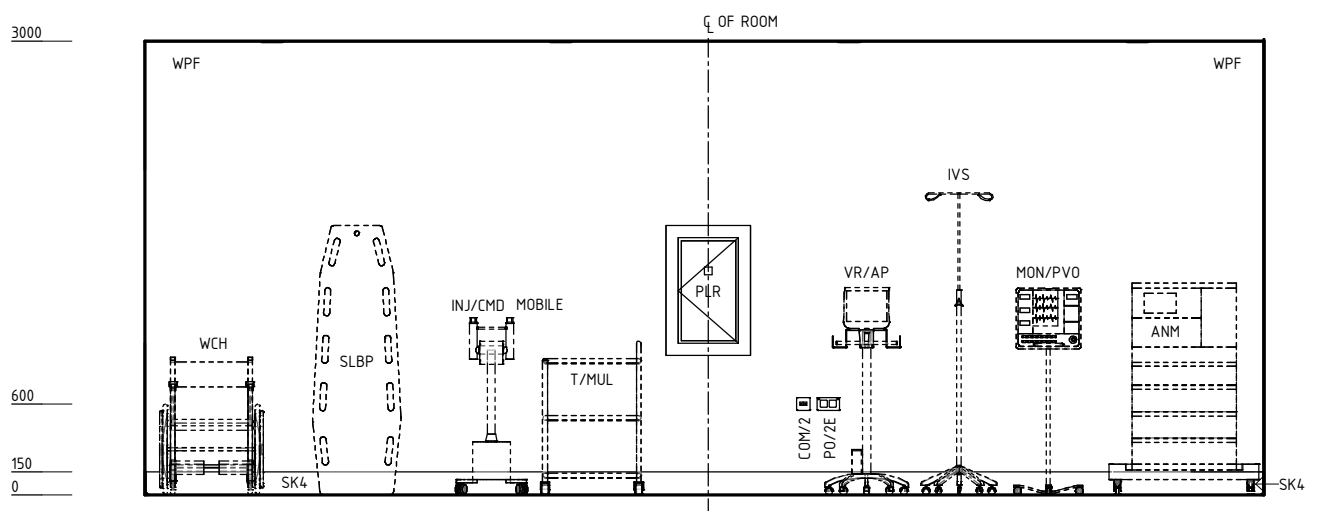


**ELEVATION 2**

**NOTE:**  
RF CAGE IS REQUIRED AND WILL BE PROVIDED,  
DESIGNED AND INSTALLED BY A MRI SPECIALIST.  
  
ALL EQUIPMENTS, FIXTURES AND FURNITURES TO BE  
MRI COMPATIBLE



**ELEVATION 3**



**ELEVATION 4**

REV	DESCRIPTION	DATE	BY	REV	DESCRIPTION	DATE	BY	COMPATIBILITY
1	FIRST ISSUE	25.05.23	AM					iHFG

# iHFG Standard Components

## Room Layout Sheet

RLS Room Code

rsim-mri-i

RDS Room Code

rsim-mri-i

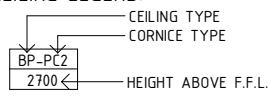
Room Name | **Radiotherapy Simulator Room - MRI**

**GENERAL NOTES:**

THIS DRAWING TO BE READ IN CONJUNCTION WITH R.D.S. (ROOM DATA SHEETS) WHICH TAKES PRECEDENCE.

ALL SERVICES INDICATED ARE INDICATIVE AND SUBJECTED TO DETAILED PROJECT SPECIFIC ENGINEERING DESIGN.

**CEILING LEGEND:**



PB-PC3 | PLASTERBOARD FLUSH SET CEILING, PAINT FINISH WITH PLASTERBOARD SQUARE SET CORNICE

--- | GRID LINE

**ELECTRICAL LEGEND:**

L/CCD | LIGHT - COLOUR CORRECTED, DIMMABLE

**MECHANICAL LEGEND:**

SUPPLY AIR GRILLE

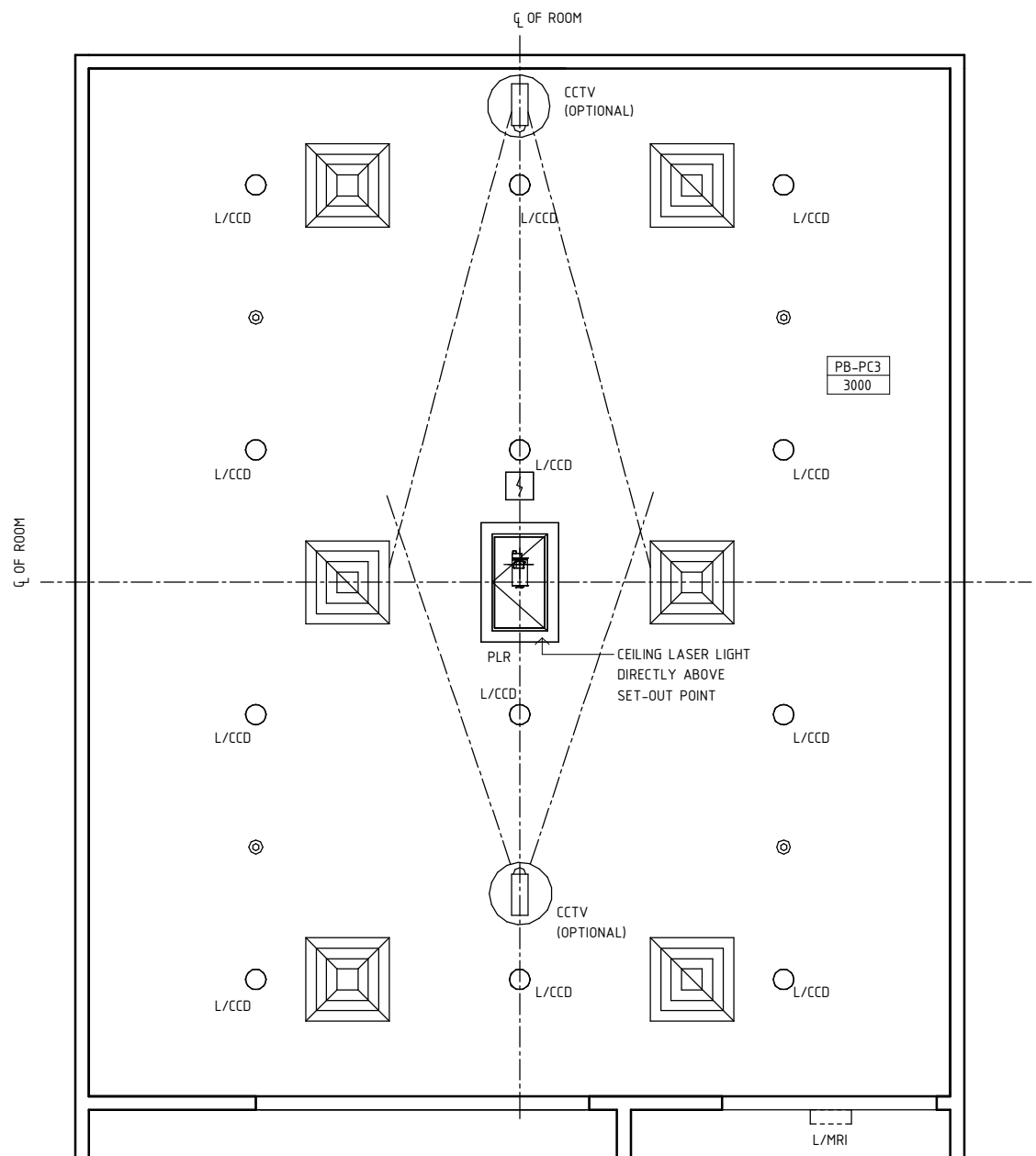
RETURN AIR GRILLE

**FIRE SERVICES LEGEND:**

SMOKE DETECTOR  
 CLEAN AGENT GAS FIRE SUPPRESSION

**SECURITY LEGEND:**

CLOSED CIRCUIT TELEVISION



**REFLECTED CEILING PLAN**

REV	DESCRIPTION	DATE	BY	REV	DESCRIPTION	DATE	BY	COMPATIBILITY																				
1	FIRST ISSUE	25.05.23	AM					iHFG																				
								<table border="1"> <thead> <tr> <th>DESIGNED</th> <th>APPROVED</th> <th>DATE</th> <th>SCALE(S)</th> <th>SHEET</th> </tr> </thead> <tbody> <tr> <td>AM</td> <td>RH</td> <td>25.05.23</td> <td>1 : 50</td> <td>3 OF 4</td> </tr> <tr> <td colspan="2">REVIT FILE NAME</td> <td colspan="2">PAPER DRAWING ID</td> <td>ISSUE</td> </tr> <tr> <td colspan="2">rsim-mri-i</td> <td colspan="2">rsim-mri-i-3</td> <td>1</td> </tr> </tbody> </table>	DESIGNED	APPROVED	DATE	SCALE(S)	SHEET	AM	RH	25.05.23	1 : 50	3 OF 4	REVIT FILE NAME		PAPER DRAWING ID		ISSUE	rsim-mri-i		rsim-mri-i-3		1
DESIGNED	APPROVED	DATE	SCALE(S)	SHEET																								
AM	RH	25.05.23	1 : 50	3 OF 4																								
REVIT FILE NAME		PAPER DRAWING ID		ISSUE																								
rsim-mri-i		rsim-mri-i-3		1																								

# iHFG Standard Components

Room Layout Sheet

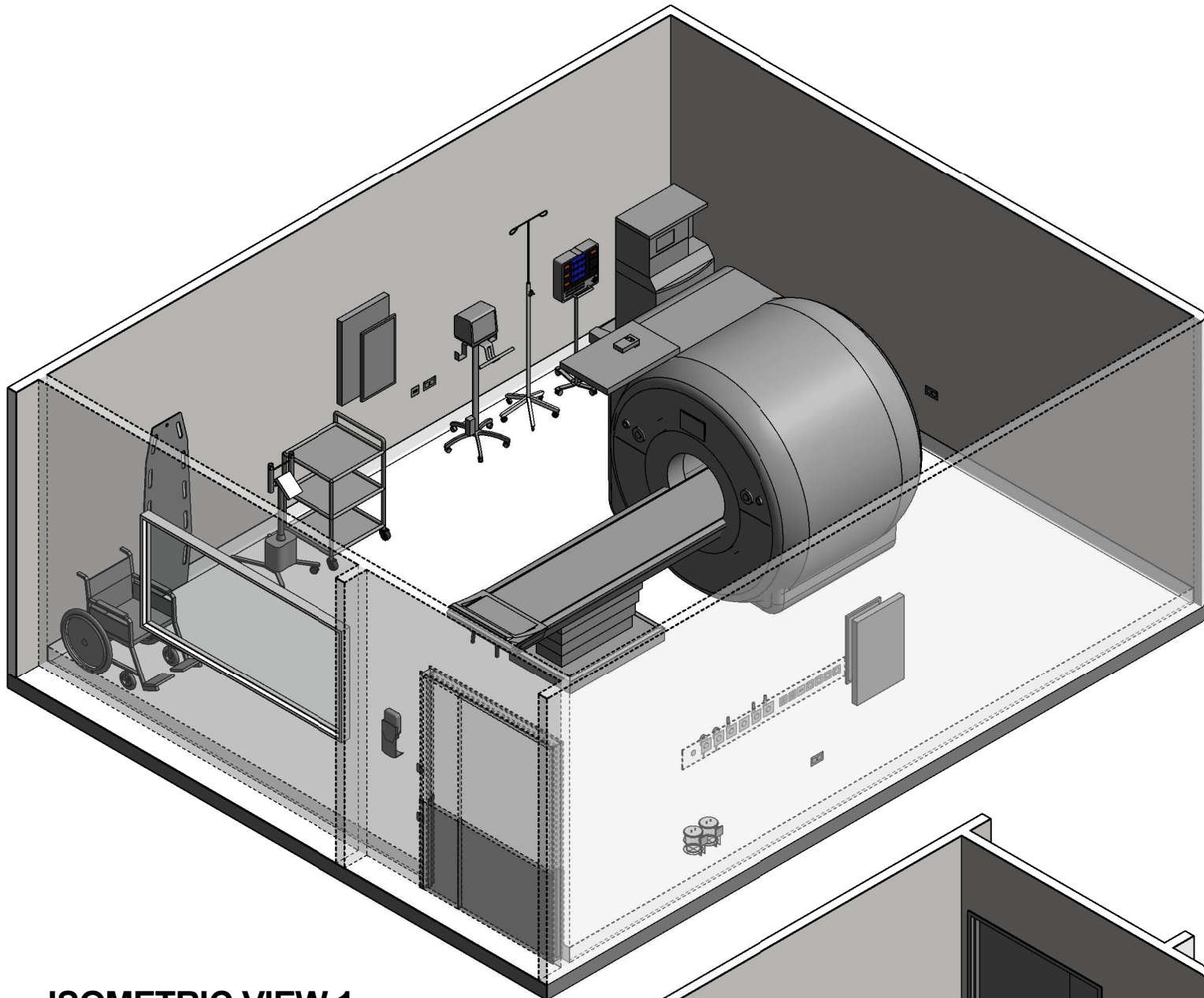
RLS Room Code

rsim-mri-i

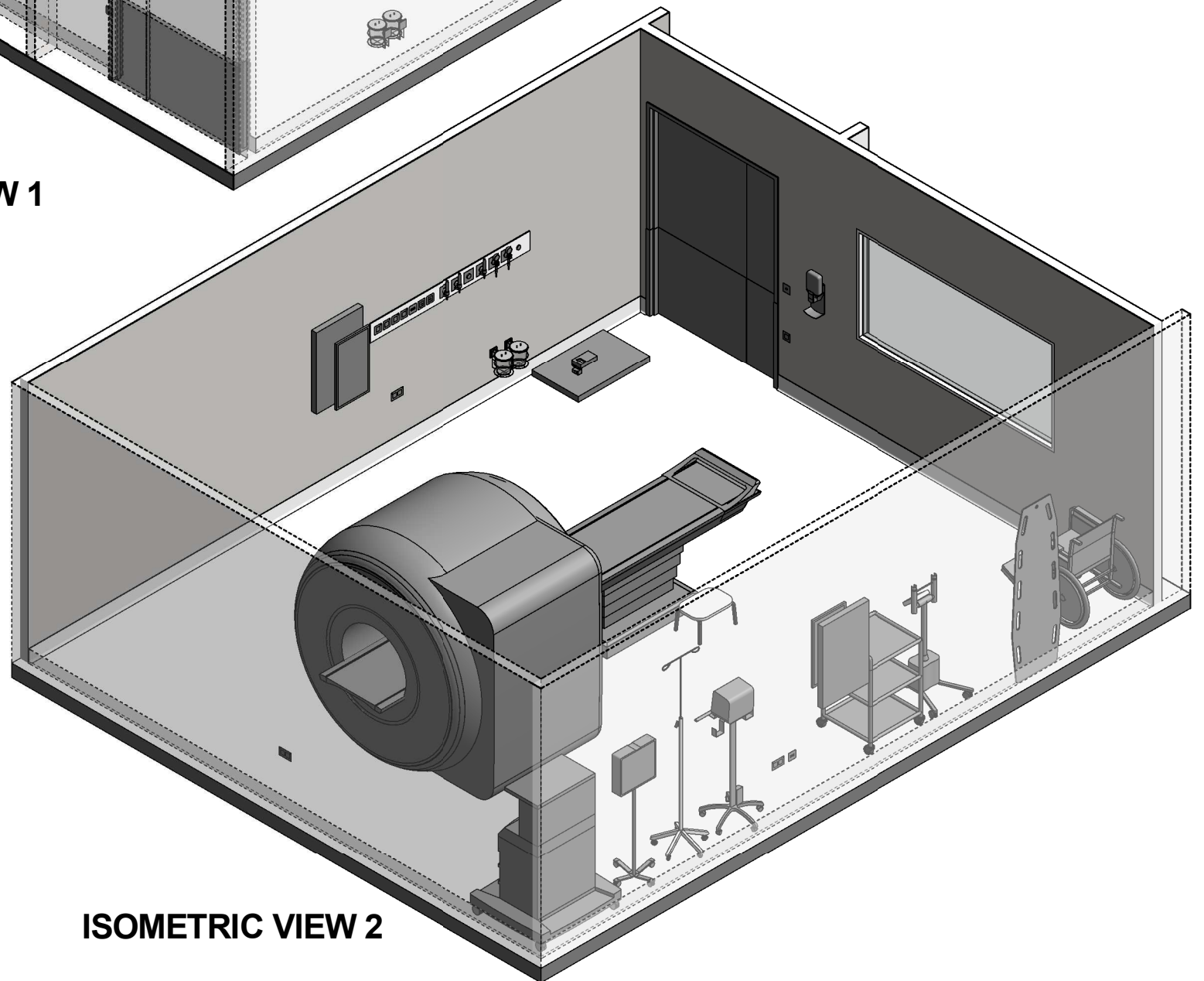
RDS Room Code

rsim-mri-i

Room Name | Radiotherapy Simulator Room - MRI



**ISOMETRIC VIEW 1**



**ISOMETRIC VIEW 2**

REV	DESCRIPTION	DATE	BY	REV	DESCRIPTION	DATE	BY	COMPATIBILITY																				
1	FIRST ISSUE	25.05.23	AM					iHFG																				
								<table border="1"> <thead> <tr> <th>DESIGNED</th> <th>APPROVED</th> <th>DATE</th> <th>SCALE(S)</th> <th>SHEET</th> </tr> </thead> <tbody> <tr> <td>AM</td> <td>RH</td> <td>25.05.23</td> <td></td> <td>4 OF 4</td> </tr> <tr> <td colspan="2">REVIT FILE NAME</td> <td colspan="2">PAPER DRAWING ID</td> <td>ISSUE</td> </tr> <tr> <td colspan="2">rsim-mri-i</td> <td colspan="2">rsim-mri-i-4</td> <td>1</td> </tr> </tbody> </table>	DESIGNED	APPROVED	DATE	SCALE(S)	SHEET	AM	RH	25.05.23		4 OF 4	REVIT FILE NAME		PAPER DRAWING ID		ISSUE	rsim-mri-i		rsim-mri-i-4		1
DESIGNED	APPROVED	DATE	SCALE(S)	SHEET																								
AM	RH	25.05.23		4 OF 4																								
REVIT FILE NAME		PAPER DRAWING ID		ISSUE																								
rsim-mri-i		rsim-mri-i-4		1																								