

iHFG Standard Components

Room Layout Sheet

RLS Room Code

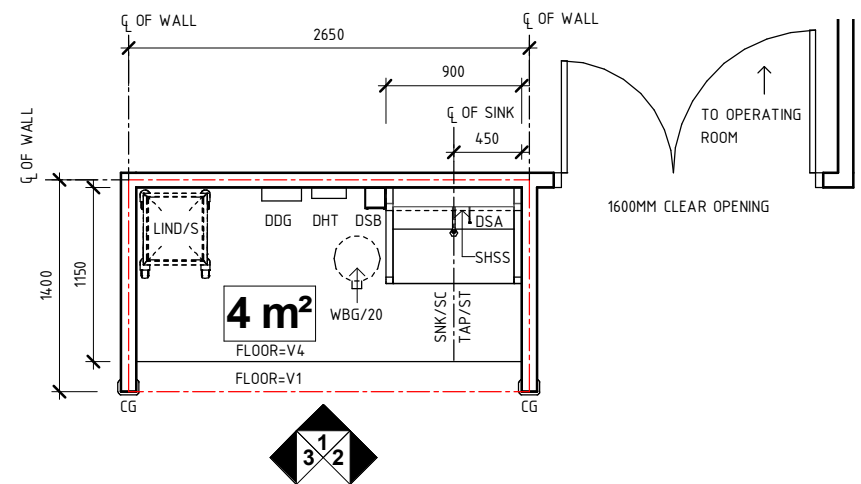
scrub-4-i

RDS Room Code

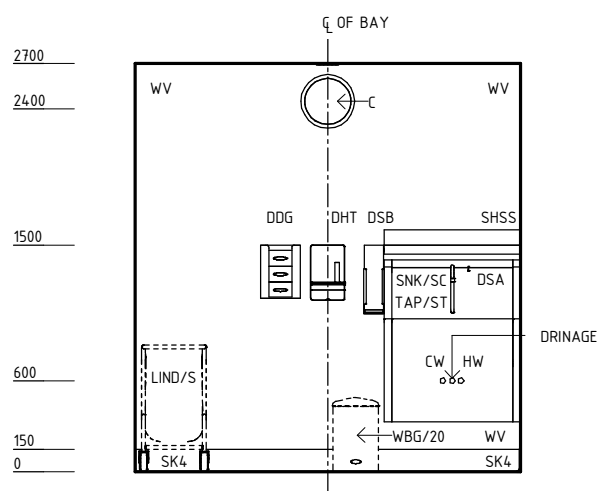
scrub-4-i

Room Name | **Scrub Up, 4m2**

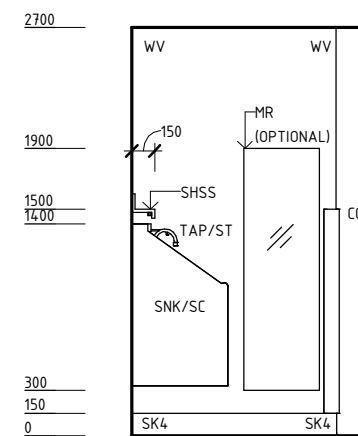
- C CLOCK
- CG CORNER GUARD
- CW COLD WATER OUTLET
- DDG DISPENSER - DISPOSABLE GLOVES
- DHT DISPENSER - PAPER HAND TOWEL
- DSA DISPENSER - SOAP, ANTISEPTIC
- DSB DISPENSER - SCRUB BRUSH
- HW HOT WATER OUTLET
- LIND/S LINEN CARRIER - DIRTY, SINGLE
- LS/B LIGHT SWITCH - BAY
- MR MIRROR
- SHSS SHELF - STAINLESS STEEL
- SK4 FLOOR VINYL COVED SKIRTING
- SNK/SC SINK - SCRUB TROUGH
- TAP/ST TAPWARE - SENSOR TAP
- V1 VINYL FLOORING, STANDARD SLIP RESISTANT
- V4 VINYL FLOORING, NON SLIP - SAFETY
- WBG/20 WASTE BIN - GENERAL, 20 LITRE
- WV WALL VINYL



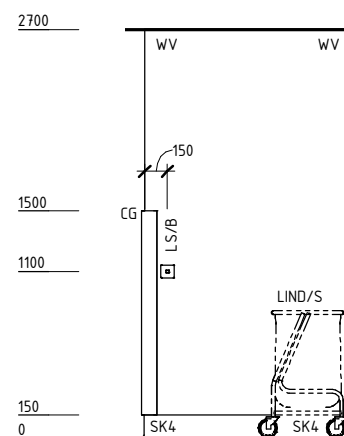
PLAN



ELEVATION 1



ELEVATION 2



ELEVATION 3

REV	DESCRIPTION	DATE	BY	REV	DESCRIPTION	DATE	BY	COMPATIBILITY
1	FIRST ISSUE	25.05.23	AM					iHFG

iHFG Standard Components

Room Layout Sheet

RLS Room Code

scr-b-4-i

Room Name

Scrub Up, 4m2

RDS Room Code

scr-b-4-i

GENERAL NOTES:

THIS DRAWING TO BE READ IN CONJUNCTION WITH R.D.S. (ROOM DATA SHEETS) WHICH TAKES PRECEDENCE.

ALL SERVICES INDICATED ARE INDICATIVE AND SUBJECT TO DETAILED PROJECT SPECIFIC ENGINEERING DESIGN.

CEILING LEGEND:

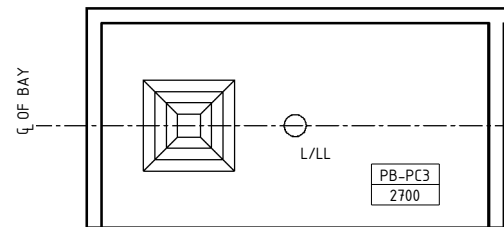
	CEILING TYPE CORNICHE TYPE
	HEIGHT ABOVE F.F.L.
PB-PC3	PLASTERBOARD FLUSH SET CEILING, PAINT FINISH WITH PLASTERBOARD SQUARE SET CORNICHE
	GRID LINE

ELECTRICAL LEGEND:

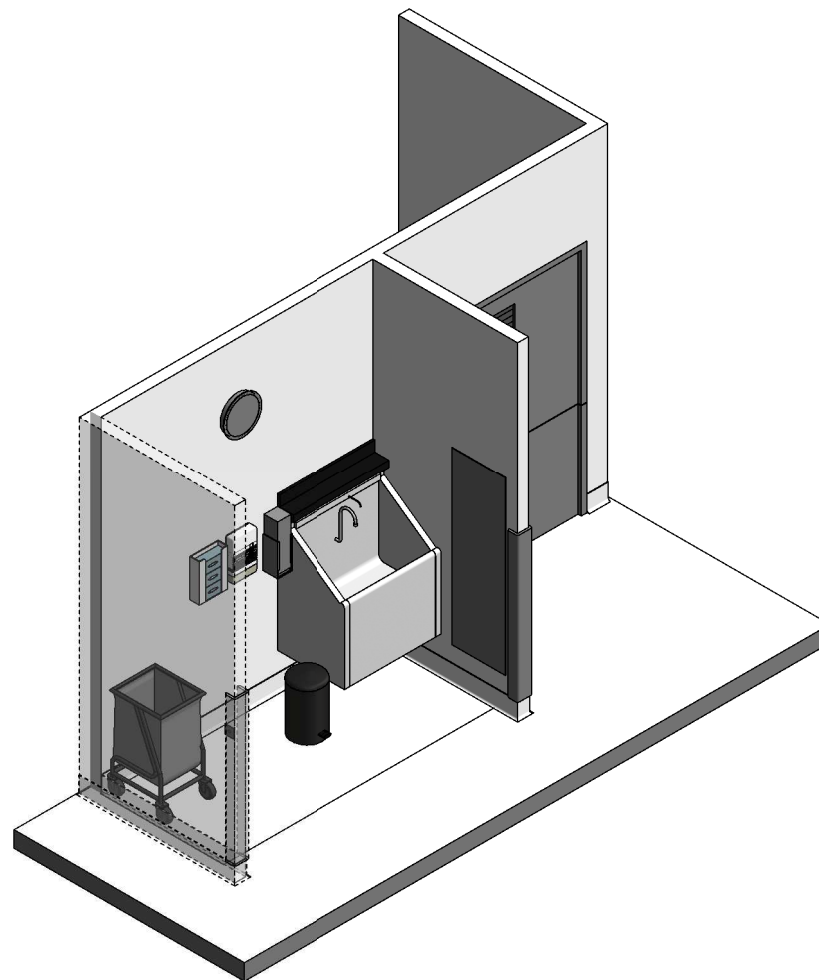
	LIGHT - LED LIGHT
--	-------------------

MECHANICAL LEGEND:

	SUPPLY AIR GRILLE
--	-------------------



REFLECTED CEILING PLAN



ISOMETRIC VIEW 1

REV	DESCRIPTION	DATE	BY	REV	DESCRIPTION	DATE	BY	COMPATIBILITY																				
1	FIRST ISSUE	25.05.23	AM					iHFG																				
								<table border="1"> <tr> <th>DESIGNED</th> <th>APPROVED</th> <th>DATE</th> <th>SCALE(S)</th> <th>SHEET</th> </tr> <tr> <td>AM</td> <td>RH</td> <td>25.05.23</td> <td>1 : 50</td> <td>2 OF 2</td> </tr> <tr> <th colspan="2">REVIT FILE NAME</th> <th colspan="2">PAPER DRAWING ID</th> <th>ISSUE</th> </tr> <tr> <td colspan="2">scr-b-4-i</td> <td colspan="2">scr-b-4-i-2</td> <td>1</td> </tr> </table>	DESIGNED	APPROVED	DATE	SCALE(S)	SHEET	AM	RH	25.05.23	1 : 50	2 OF 2	REVIT FILE NAME		PAPER DRAWING ID		ISSUE	scr-b-4-i		scr-b-4-i-2		1
DESIGNED	APPROVED	DATE	SCALE(S)	SHEET																								
AM	RH	25.05.23	1 : 50	2 OF 2																								
REVIT FILE NAME		PAPER DRAWING ID		ISSUE																								
scr-b-4-i		scr-b-4-i-2		1																								