

iHFG Standard Components

Room Layout Sheet

RLS Room Code

sstn-5-i

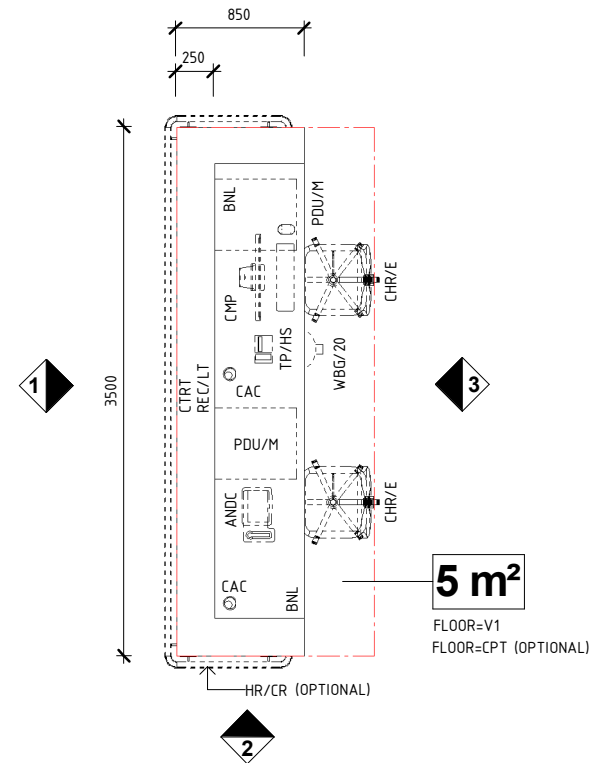
RDS Room Code

sstn-5-i

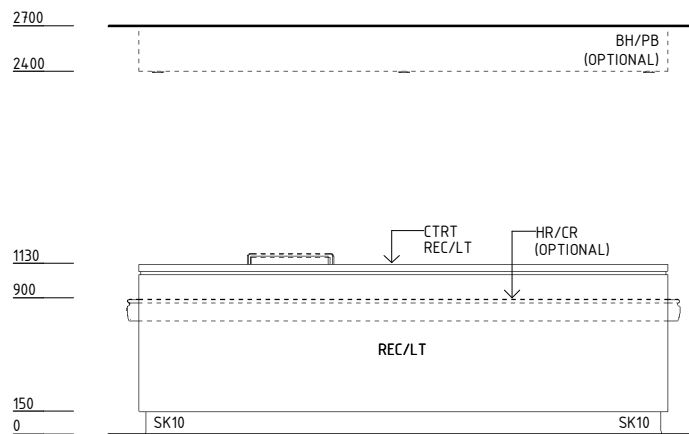
Room Name

Staff Station, 5m2

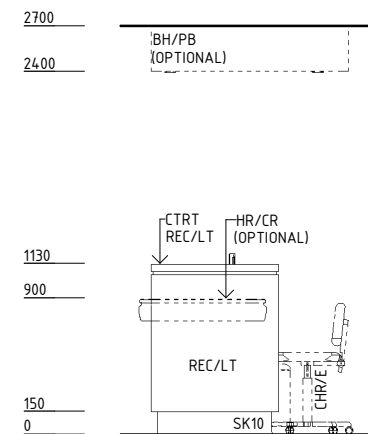
ANDC	ANNUNCIATOR - DESKTOP CONSOLE
BH/PB	BULKHEAD - PLASTERBOARD, PAINT FINISH
BNL	BENCH - LAMINATE
CAC	CABLE ACCESS CAP
CHR/E	CHAIR - ERGONOMIC, OFFICE
CMP	COMPUTER
COM/1	COMMUNICATION OUTLET - SINGLE
COM/2	COMMUNICATION OUTLET - DOUBLE
CPT	CARPET
CTR	COUNTER TOP
HR/CR	HANDRAIL/ CRASH RAIL
L/PT	LIGHT - PELMET TASK LIGHT
LS/P	LIGHT SWITCH - PELMET TASK LIGHT
LVP	LAMINATE VERTICAL SUPPORT PANEL
PDU/M	PEDESTAL DRAWER UNIT - MOBILE
PN/FC	PINBOARD - FABRIC COVERED
PO/1	POWER OUTLET - SINGLE
PO/2	POWER OUTLET - DOUBLE
REC/LT	RECEPTION DESK - LAMINATE/ TIMBER
SK10	LAMINATE SKIRTING
TP/HS	TELEPHONE - HANDSET, STANDARD
V1	VINYL FLOORING, STANDARD SLIP RESISTANT
WBG/20	WASTE BIN - GENERAL, 20 LITRE



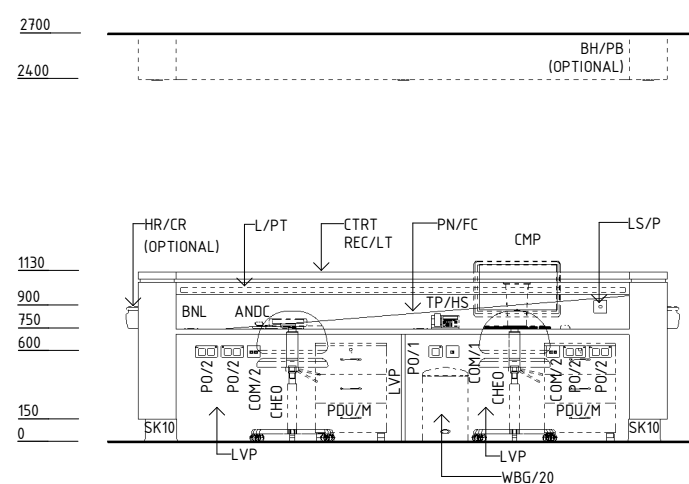
PLAN



ELEVATION 1



ELEVATION 2



ELEVATION 3

REV	DESCRIPTION	DATE	BY	REV	DESCRIPTION	DATE	BY	COMPATIBILITY
1	FIRST ISSUE	24.10.10	CC	4	GENERAL REVISION	30.12.22	RA	iHFG
2	GENERAL REVISION	30.08.11	SK					
3	GENERAL REVISION	31.10.12	KC					

DESIGNED	APPROVED	DATE	SCALE(S)	SHEET
RA	RH	30.12.22	1 : 50	1 OF 2
REVIT FILE NAME		PAPER DRAWING ID		ISSUE
sstn-5-i		sstn-5-i-1		4

iHFG International Health Facility Guidelines

International Health Facility Guidelines at:
www.healthdesign.com.au/iHFG
Editable version of Standard Components on
Health Facility Briefing System (HFBS) at:
www.healthdesign.com.au@TAHPI



iHFG Standard Components

Room Layout Sheet

RLS Room Code

sstn-5-i

RDS Room Code

sstn-5-i

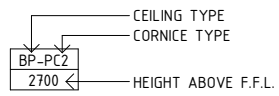
Room Name **Staff Station, 5m2**

GENERAL NOTES:

THIS DRAWING TO BE READ IN CONJUNCTION WITH R.D.S. (ROOM DATA SHEETS) WHICH TAKES PRECEDENCE.

ALL SERVICES INDICATED ARE INDICATIVE AND SUBJECTED TO DETAILED PROJECT SPECIFIC ENGINEERING DESIGN.

CEILING LEGEND:



ACT-PCS PRE FINISHED ACOUSTIC TILES, POWDERCOAT ALUMINIUM CORNICE, FLUSHED AGAINST WALL

BH/PB PLASTERBOARD BULKHEAD, PAINT FINISH

TILE CEILING GRID (600 x 600)

GRID LINE

ELECTRICAL LEGEND:

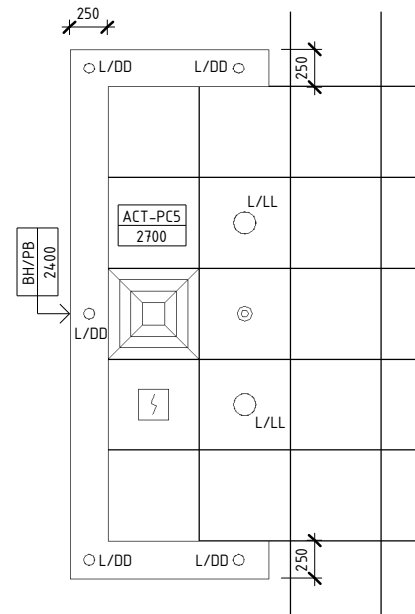
L/DD LIGHT - DOWNLIGHT, DIMMABLE
L/LL LIGHT - LED LIGHT

MECHANICAL LEGEND:

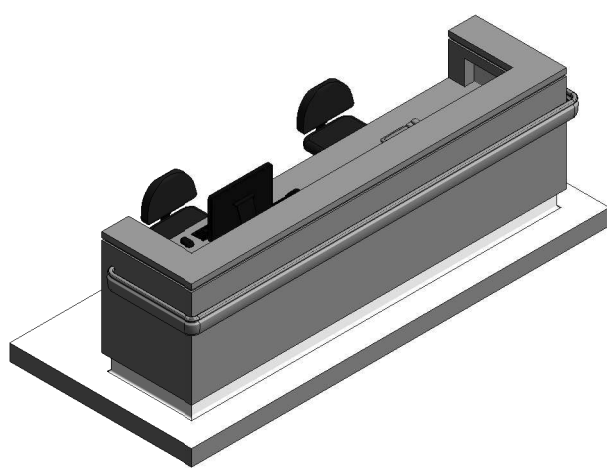
SUPPLY AIR GRILLE

FIRE SERVICES LEGEND:

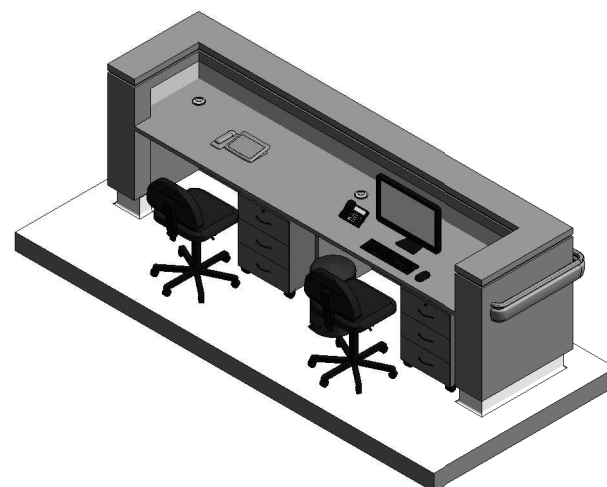
SMOKE DETECTOR
SPRINKLER



REFLECTED CEILING PLAN



ISOMETRIC VIEW 1



ISOMETRIC VIEW 2

REV	DESCRIPTION	DATE	BY	REV	DESCRIPTION	DATE	BY	COMPATIBILITY				
1	FIRST ISSUE	24.10.10	CC	4	GENERAL REVISION	30.12.22	RA	iHFG				
2	GENERAL REVISION	30.08.11	SK									
3	GENERAL REVISION	31.10.12	KC									
								DESIGNED	APPROVED	DATE	SCALE(S)	SHEET
								RA	RH	30.12.22	1 : 50	2 OF 2
								REVIT FILE NAME		PAPER DRAWING ID		ISSUE
								sstn-5-i		sstn-5-i-2		4