

iHFG Standard Components

Room Layout Sheet

RLS Room Code

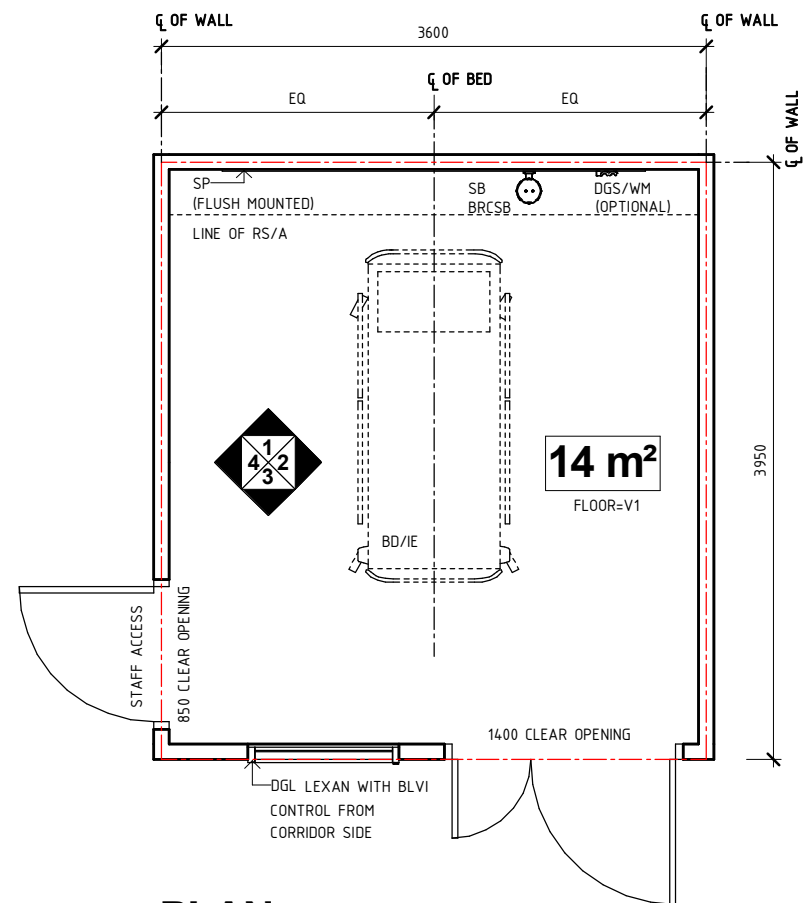
trsa-i

RDS Room Code

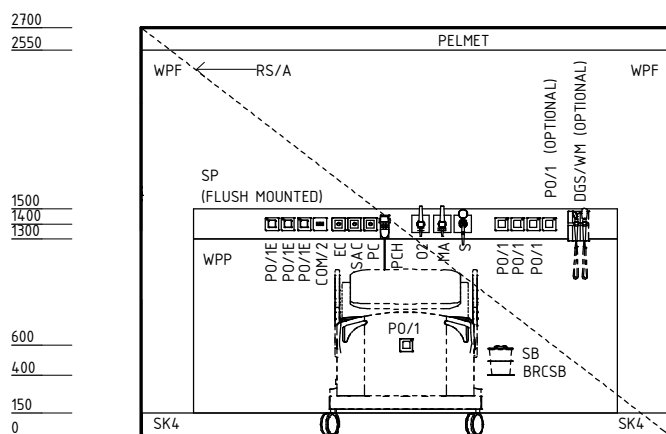
trsa-i

Room Name **Treatment Room - Secure Assessment**

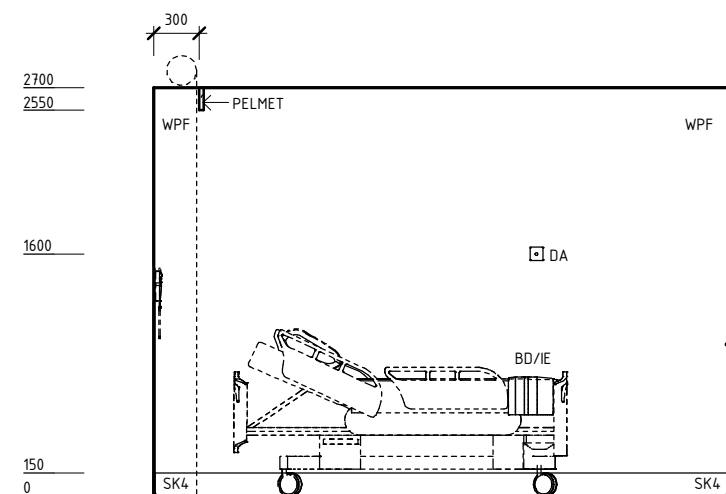
BD/IE	BED - INPATIENT, ELECTRIC
BLVI	BLIND - VENETIAN, INTEGRAL
BRCBSB	BRACKET - SUCTION BOTTLE
COM/2	COMMUNICATION OUTLET - DOUBLE
DA	DURESS ALARM
DFP	DOOR AND DOOR FRAME PROTECTION
DGL	DOUBLE GLAZED
DGS/WM	DIAGNOSTIC SET - WALL MOUNTED
EC	EMERGENCY CALL
LS/R	LIGHT SWITCH - ROOM
MA	MEDICAL AIR
O2	OXYGEN
PC	PATIENT CALL
PCH	PATIENT CALL HANDSET
PO/1	POWER OUTLET - SINGLE
PO/IE	POWER OUTLET - EMERGENCY, SINGLE
PO/C	POWER OUTLET - CLEANER'S
RS/A	ROLLER SHUTTER - AUTOMATIC
S	SUCTION
SAC	STAFF ASSIST CALL
SB	SUCTION BOTTLE
SK4	FLOOR VINYL COVERED SKIRTING
SP	SERVICES PANEL
V1	VINYL FLOORING, STANDARD SLIP RESISTANT
WPF	WALL PAINT FINISH
WPP	WALL PROTECTION PANEL



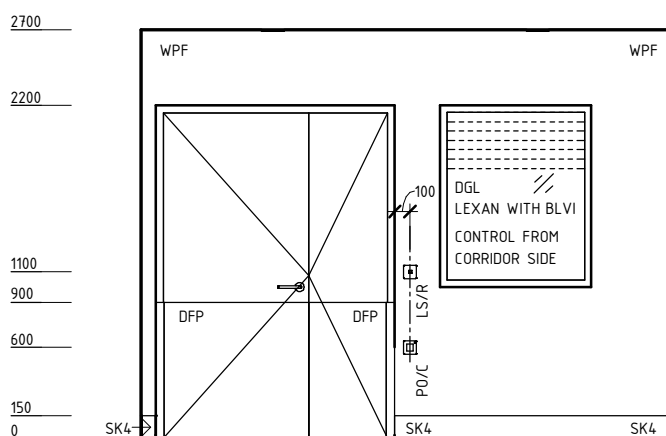
PLAN



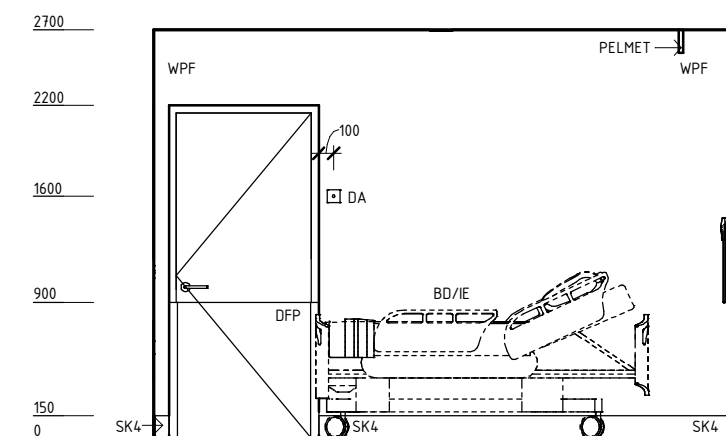
ELEVATION 1



ELEVATION 2



ELEVATION 3



ELEVATION 4

REV	DESCRIPTION	DATE	BY	REV	DESCRIPTION	DATE	BY	COMPATIBILITY
1	FIRST ISSUE	24.04.10	LL	4	GENERAL REVISION	22.08.22	AK	iHFG
2	GENERAL REVISION	30.08.11	SK					
3	GENERAL REVISION	31.10.12	CT					



International Health Facility Guidelines at:
www.healthdesign.com.au/iHFG
Editable version of Standard Components on
Health Facility Briefing System (HFBS) at:
www.healthdesign.com.au@TAHPI



DESIGNED	APPROVED	DATE	SCALE(S)	SHEET
AK	CC	22.08.22	1 : 50	1 OF 2
REVIT FILE NAME		PAPER DRAWING ID		ISSUE
trsa-i		trsa-i-1		4

iHFG Standard Components

Room Layout Sheet

RLS Room Code

trsa-i

RDS Room Code

trsa-i

Room Name | Treatment Room - Secure Assessment

GENERAL NOTES:

THIS DRAWING TO BE READ IN CONJUNCTION WITH R.D.S. (ROOM DATA SHEETS) WHICH TAKES PRECEDENCE.

ALL SERVICES INDICATED ARE INDICATIVE AND SUBJECT TO DETAILED PROJECT SPECIFIC ENGINEERING DESIGN.

CEILING LEGEND:

	CEILING TYPE CORNICE TYPE HEIGHT ABOVE F.F.L.
PB-PC4	PLASTERBOARD FLUSH SET CEILING, WITH POWDERCOAT ALUMINIUM CORNICE, SHADOW LINE
	GRID LINE

ELECTRICAL LEGEND:

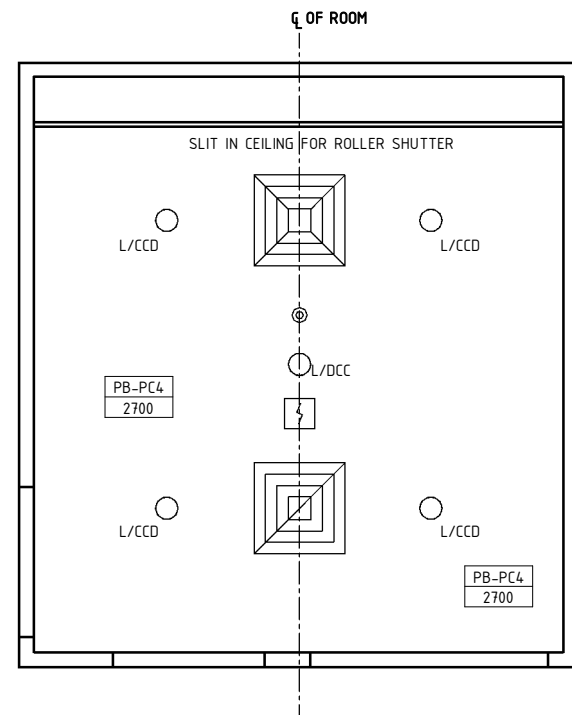
	LIGHT - COLOUR CORRECTED, DIMMABLE
	LIGHT - DOWNLIGHT, COLOUR CORRECTED

MECHANICAL LEGEND:

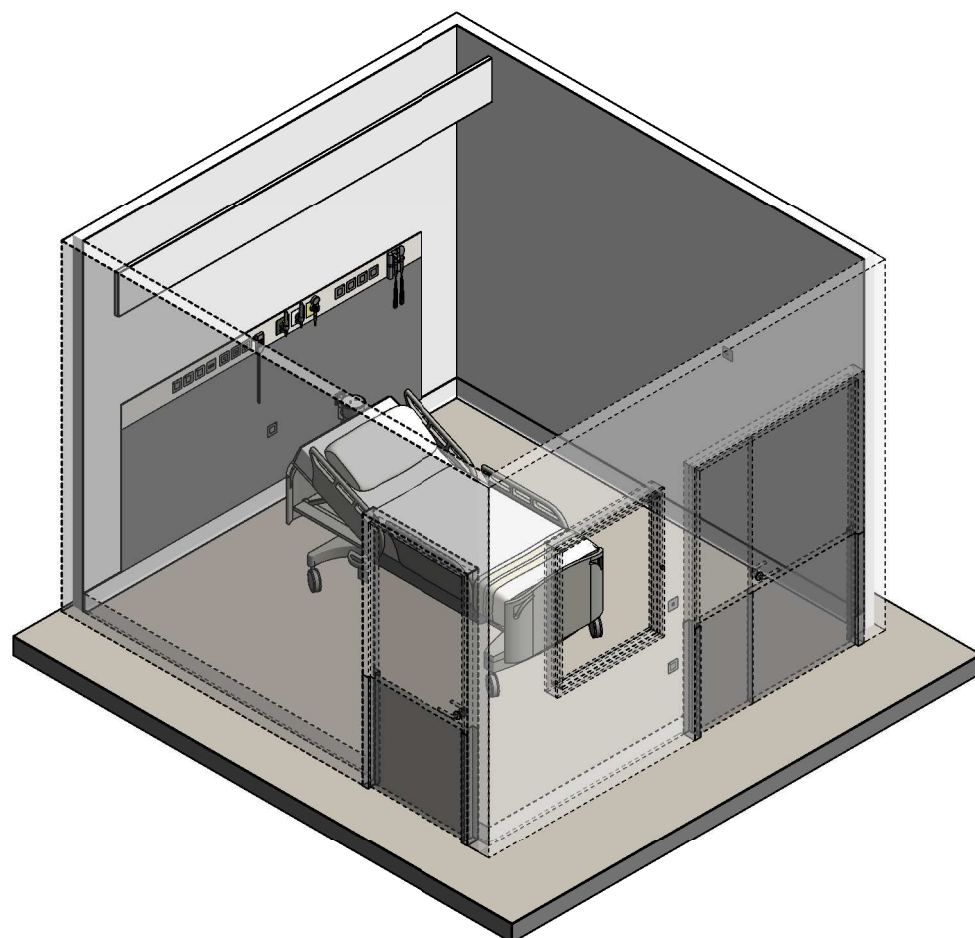
	SUPPLY AIR GRILLE
	RETURN AIR GRILLE

FIRE SERVICES LEGEND:

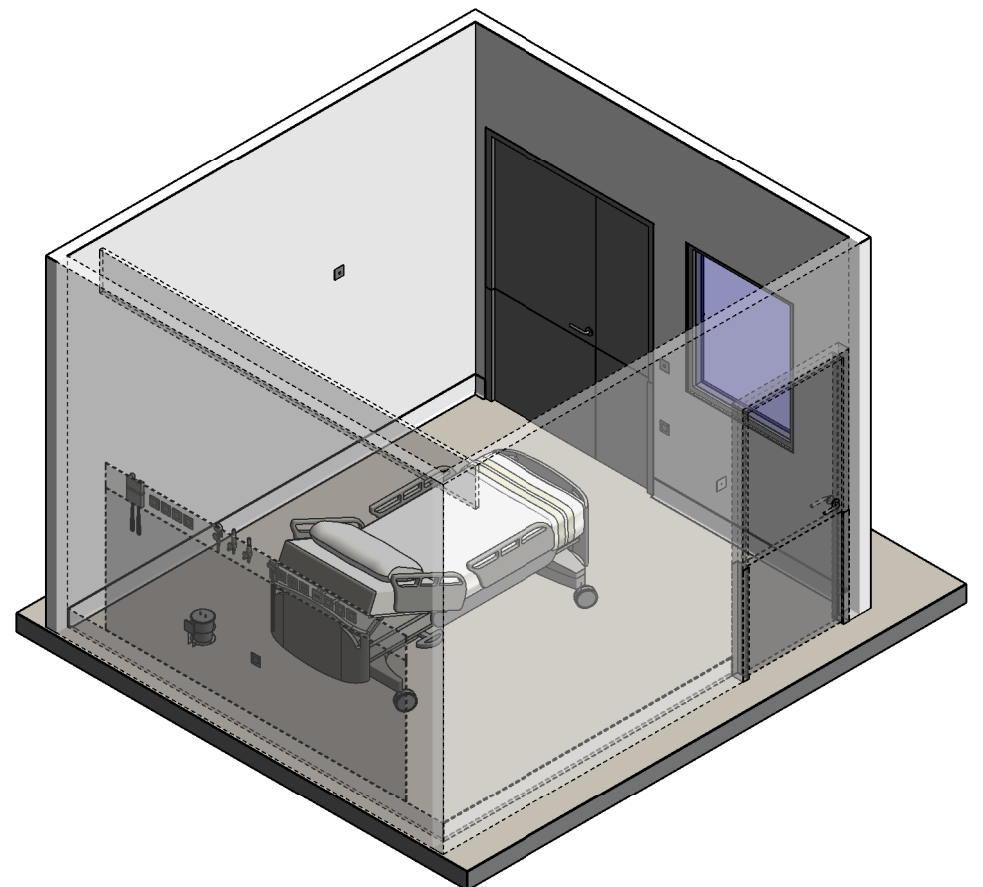
	SMOKE DETECTOR
	SPRINKLER



REFLECTED CEILING PLAN



ISOMETRIC VIEW 01



ISOMETRIC VIEW 02

REV	DESCRIPTION	DATE	BY	REV	DESCRIPTION	DATE	BY	COMPATIBILITY				
1	FIRST ISSUE	24.04.10	LL	4	GENERAL REVISION	22.08.22	AK	iHFG				
2	GENERAL REVISION	30.08.11	SK									
3	GENERAL REVISION	31.10.12	CT									
								DESIGNED	APPROVED	DATE	SCALE(S)	SHEET
								AK	CC	22.08.22	1 : 50	2 OF 2
								REVIT FILE NAME		PAPER DRAWING ID		ISSUE
								trsa-i		trsa-i-2		4