

iHFG Standard Components

Room Layout Sheet

RLS Room Code

wcpt-i

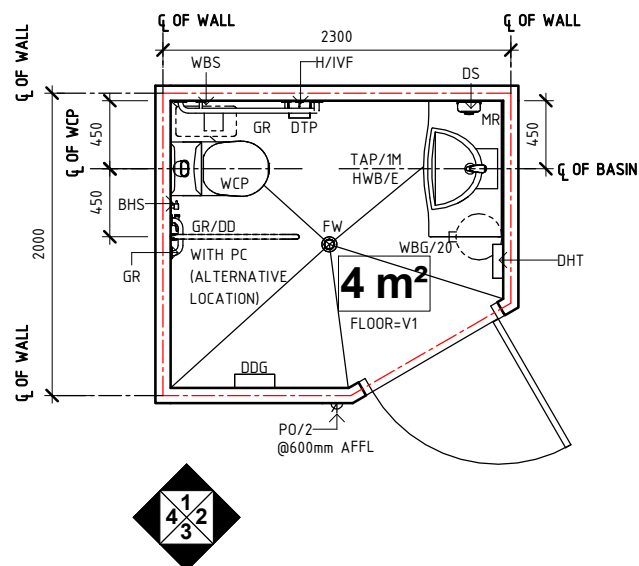
RDS Room Code

wcpt-i

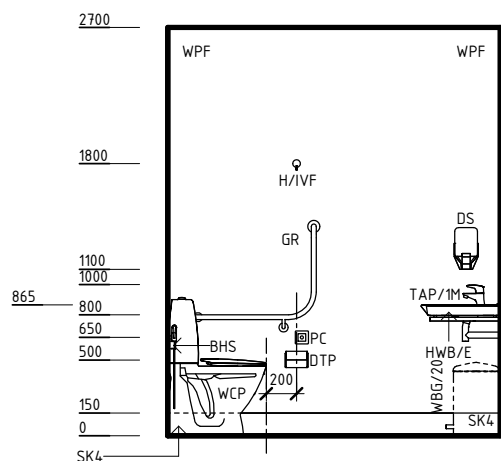
Room Name

Toilet - Patient

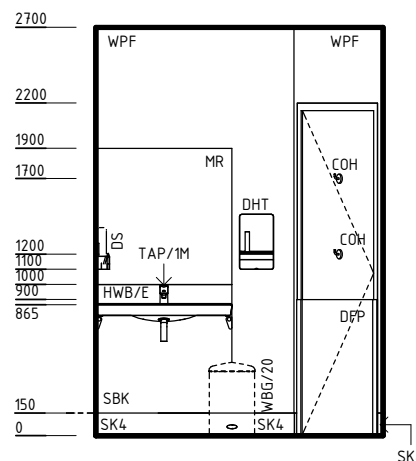
BHS	BIDET HANDSET
COH	COAT HOOK
DDG	DISPENSER - DISPOSABLE GLOVES
DFP	DOOR AND DOOR FRAME PROTECTION
DHT	DISPENSER - PAPER HAND TOWEL
DS	DISPENSER - SOAP
DTP	DISPENSER - TOILET PAPER
EC	EMERGENCY CALL
FW	FLOOR WASTE
GR	GRAB RAIL
GR/DD	GRAB RAIL - DROP DOWN
H/IVF	HOOK - FOR IV FLASKS
HWB/E	HAND WASH BASIN - ENSUITE
LS/R	LIGHT SWITCH - ROOM
MR	MIRROR
PC	PATIENT CALL
PO/2	POWER OUTLET - DOUBLE
SAC	STAFF ASSIST CALL
SBK	SPLASHBACK
SK4	FLOOR VINYL COVERED SKIRTING
TAP/1M	TAPWARE - SINGLE MIXER
V1	VINYL FLOORING, STANDARD SLIP RESISTANT
WBG/20	WASTE BIN - GENERAL, 20 LITRE
WBS	WASTE BIN - SANITARY
WCP	WATER CLOSET - PATIENT
WPF	WALL PAINT FINISH



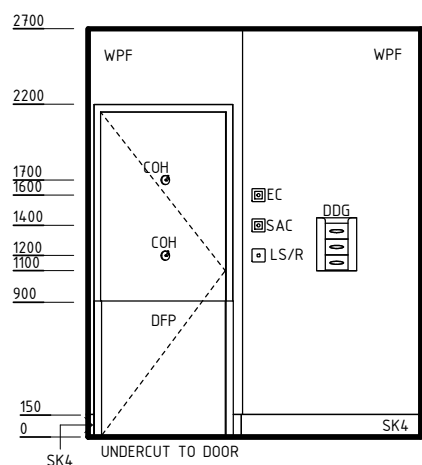
PLAN



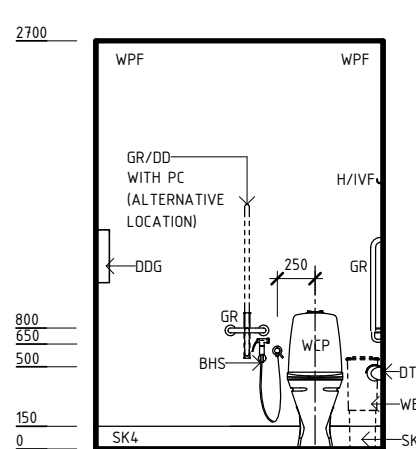
ELEVATION 1



ELEVATION 2



ELEVATION 3



ELEVATION 4

REV	DESCRIPTION	DATE	BY	REV	DESCRIPTION	DATE	BY	COMPATIBILITY
1	FIRST ISSUE	28.10.14	NB					
2	GENERAL REVISION	14.04.15	NB					
3	GENERAL REVISION	27.01.23	SS					



International Health Facility Guidelines at:
www.healthdesign.com.au/iHFG
 Editable version of Standard Components on
 Health Facility Briefing System (HFBS) at:
www.healthdesign.com.au/TAHPI



DESIGNED	APPROVED	DATE	SCALE(S)	SHEET
SS	SA	27-01-23	1 : 50	1 OF 2
REVIT FILE NAME		PAPER DRAWING ID		ISSUE
wcpt-i		wcpt-i-1		3

iHFG Standard Components

Room Layout Sheet

Room Name **Toilet - Patient**

RLS Room Code

wcpt-i

RDS Room Code

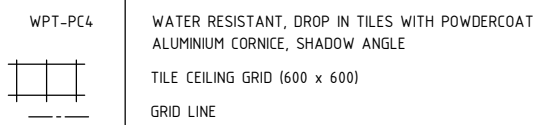
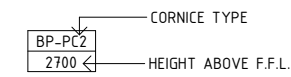
wcpt-i

GENERAL NOTES:

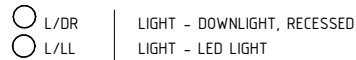
THIS DRAWING TO BE READ IN CONJUNCTION WITH R.D.S. (ROOM DATA SHEETS) WHICH TAKES PRECEDENCE.

ALL SERVICES INDICATED ARE INDICATIVE AND SUBJECTED TO DETAILED PROJECT SPECIFIC ENGINEERING DESIGN.

CEILING LEGEND:



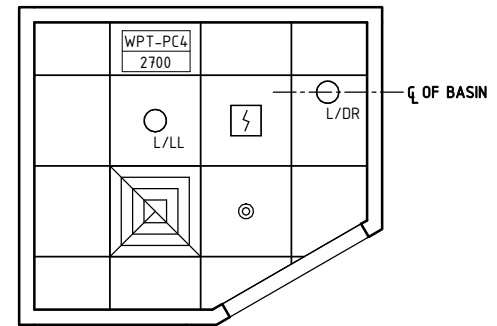
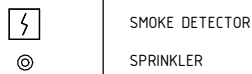
ELECTRICAL LEGEND:



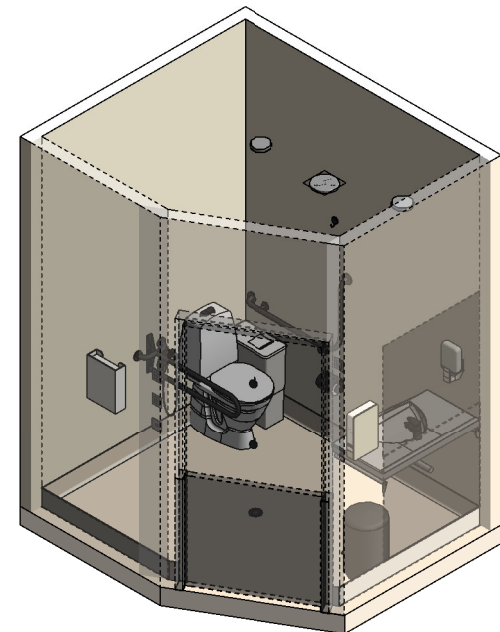
MECHANICAL LEGEND:



FIRE SERVICES LEGEND:



REFLECTED CEILING PLAN



ISOMETRIC VIEW 01

REV	DESCRIPTION	DATE	BY	REV	DESCRIPTION	DATE	BY	COMPATIBILITY				
1	FIRST ISSUE	28.10.14	NB					iHFG				
2	GENERAL REVISION	14.04.15	NB									
3	GENERAL REVISION	27.01.23	SS									
								DESIGNED	APPROVED	DATE	SCALE(S)	SHEET
								SS	SA	27-01-23	1 : 50	2 OF 2
								REVIT FILE NAME		PAPER DRAWING ID		ISSUE
								wcpt-i		wcpt-i-2		3